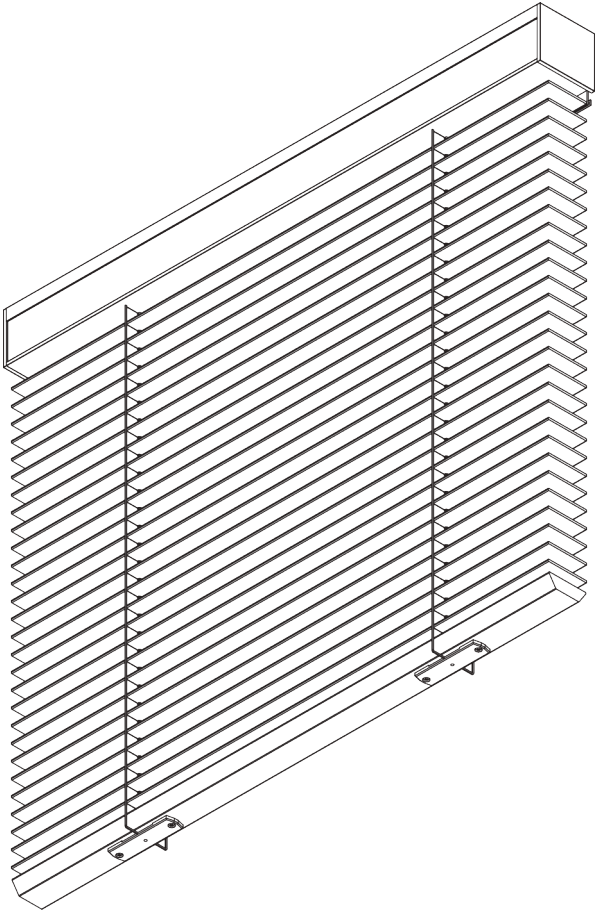
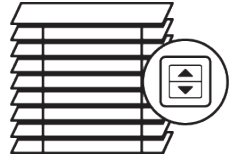


# SG 8960

---



## **PRODUCT INFORMATION**

- **Operation:** motorised
- **Range:** L
- **Fitting:** ceiling, wall
- **Colours:** refer to Silent Gliss slat collection

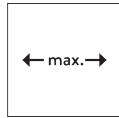
### **Features:**

- Optimised light control
- Various control options
- Wood, aluminium and leather slats
- Slat width: 50 mm
- Headrail slat cover
- Choice of ladder cord or decorative slat tape

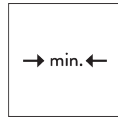
04/2024/V1

# SYSTEM SPECIFICATIONS

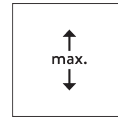
## A. SYSTEM DIMENSIONS



Wood / Leather: 2.4 m  
Aluminium: 3.6 m



65 cm



Wood / Leather: 2.75 m  
Aluminium: 3.6 m



Wood / Leather: 4.6 m<sup>2</sup>  
Aluminium: 10 m<sup>2</sup>

## Slat stack heights

Note: stack size will be larger when tapes are used

Wooden

	50 mm	X								
			60	90	120	150	180	210	240	275
			12	15	17	20	22	25	27	30

(cm)

Leather

	50 mm	X								
			60	90	120	150	180	210	240	275
			16	18	20	22	24	26	28	30

(cm)

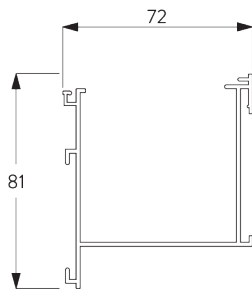
Aluminium

	50 mm	X				
			100	200	300	360
			10	13	17	20

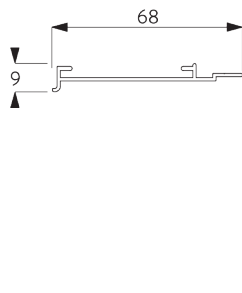
(cm)

## B. PROFILE

### Profile information

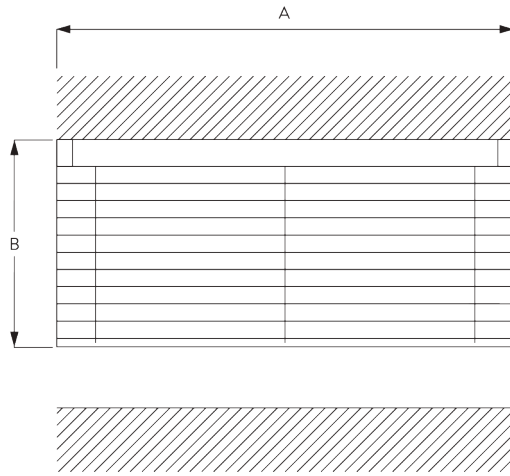


**SG 8935**  
Profile



**SG 8936**  
Profile

**C. HOW TO  
MEASURE**



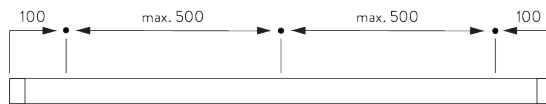
A: System width  
B: System height

# FITTING

**A. FITTING  
INFORMATION**

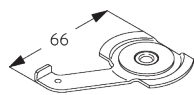
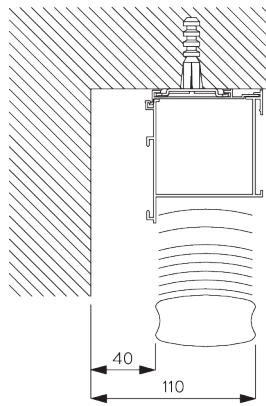
For detailed fitting information, visit the *Silent Gliss* website.

**Fixing points**



**B. CEILING FITTING**

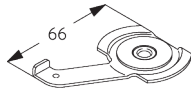
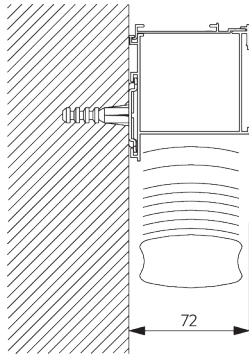
**Clamp SG 3003**



**SG 3003**  
Clamp

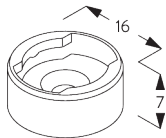
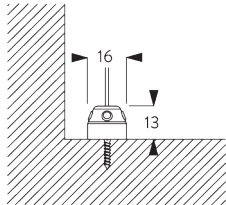
**C. WALL FITTING**

**Clamp SG 3003**

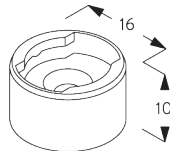


**SG 3003**  
Clamp

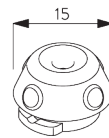
**D. FITTING WITH  
SIDE GUIDE  
OPTION**



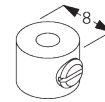
**SG 8235**  
Side guide wire base short



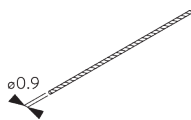
**SG 8236**  
Side guide wire base long



**SG 8237**  
Side guide wire holder



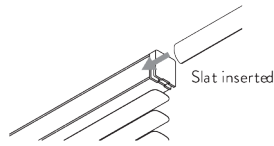
**SG 8249**  
Side guide device



**SG 10120**  
Side guide wire  $\varnothing 0.9$  mm

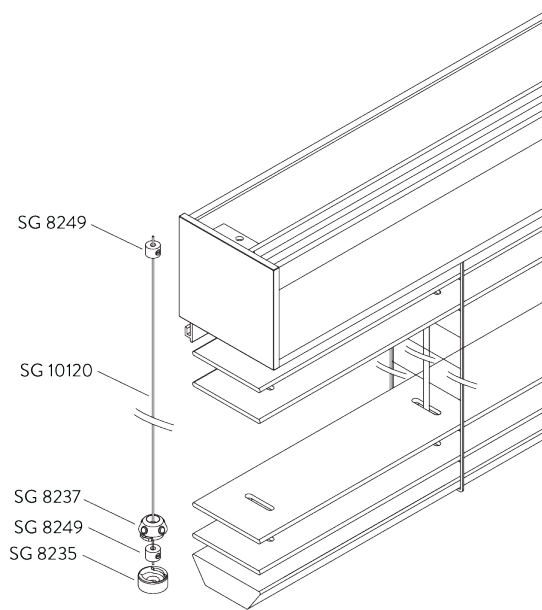
# SYSTEM OPTIONS

## A. HEADRAIL SLAT COVER



- A slat is inserted into the headrail for perfect matching of colours and materials to avoid the need to fit a cumbersome valance.
- For leather slat blinds there is the option of a leather covered headrail at an additional cost.
- Leather covered slats cannot be specified with decorative (external) slat tapes. The blind hardware is supplied matching the slat colour.

## B. SIDE GUIDES



Additional parts:

- 2x SG 8235 Side guide wire base short
- 2x SG 8237 Side guide wire holder
- 4x SG 8249 Side guide device
- 2x SG 10120 Side guide wire  $\varnothing$  0.9 mm

Note:

- Up to 15° from vertical

# MOTOR & CONTROLS

## A. MOTOR FEATURES

Motors	SG 11095	SG 11096
<b>Motor Features</b>		
Soft start / stop	●	●
Built-in receiver		●
Electronic end-stop	●	●
Electronic revolution counter (unlimited revolution)	●	●
Intermediate positions possible		●
Noiseless stop	●	●
IP class	IP 54	IP 54
<b>Control Features</b>		
Mains power control	●	
SG Control L (built-in receiver)		●
Suitable for most major home automation systems (with suitable interface)	●	●

**B. MOTOR  
SPECIFICATIONS**

See website for wiring diagram.

Motors	Voltage	Current	Frequency	Speed	Frequency receiver
SG 11095	230 V AC	0.5 A	50 Hz	35 rpm	n/a
SG 11096	230 V AC	0.5 A	50 Hz	35 rpm	868 MHz

**C. OPERATING  
METHODS**

See catalogue "controls" for details.

**Wall Switch**



System can be operated by fixed wall switch.

**SG Control L**



Various radio hand-held and wall transmitters available.



Silent Gliss Move App.


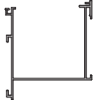

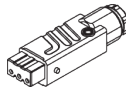

**D. WIRING  
DIAGRAMS**




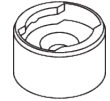
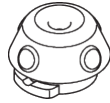
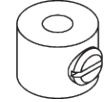
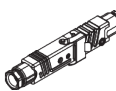

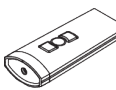

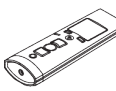
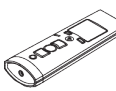
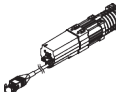


Refer to Silent Gliss website.

# PARTS

## A. STANDARD PARTS

	<b>SG 3003</b> Clamp
	<b>SG 8935</b> Profile
	<b>SG 8936</b> Profile
	<b>SG 9917</b> Hirschmann portable socket-outlet STAK 3 N
	<b>SG 11095</b> Motor 230V AC, JA 04/35 comfort

## B. OPTIONAL PARTS

	<b>SG 8235</b> Side guide wire base short
	<b>SG 8236</b> Side guide wire base long
	<b>SG 8237</b> Side guide wire holder
	<b>SG 8249</b> Side guide device
	<b>SG 9916</b> Hirschmann plug set
	<b>SG 10120</b> Side guide wire ø 0.9 mm
	<b>SG 10300</b> Radio hand held 1 channel
	<b>SG 10302</b> Radio hand held 5+1 channel
	<b>SG 10303</b> Radio hand held 10+2+1 channel
	<b>SG 10804</b> Radio hand held 15+5+1 channel
	<b>SG 11096</b> Motor 230V AC, JA 04/35 comfort, radio receiver
	<b>SG 11480</b> Radio wall transmitter 1 channel
	<b>SG 11490</b> Radio wall transmitter 5+1 channel

