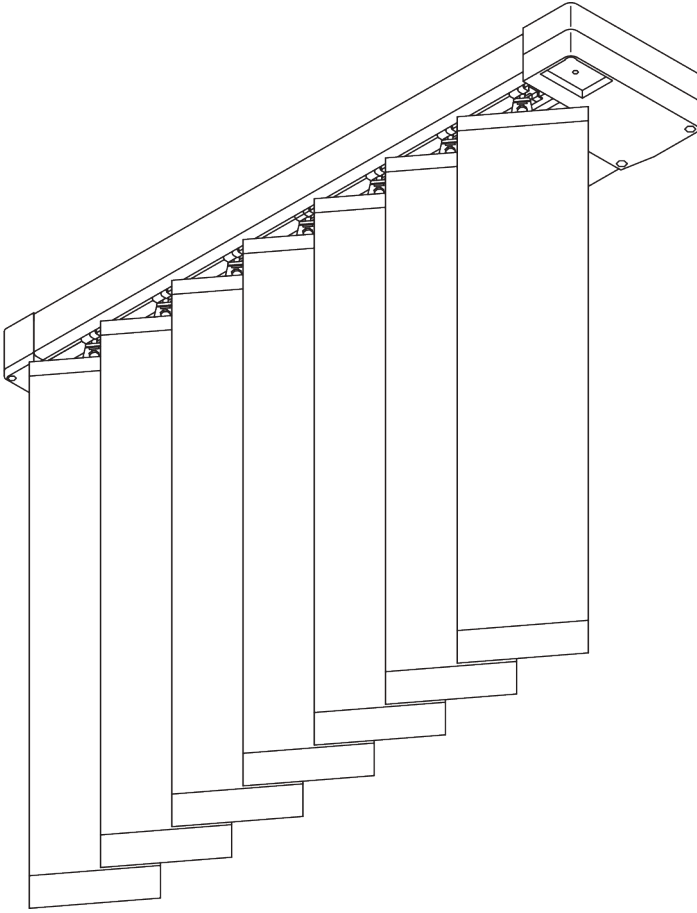
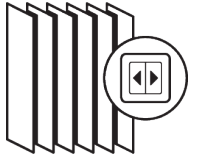


# SG 2950

---



## PRODUCT INFORMATION

- **Operation:** motorised
- **Range:** S - L
- **Fitting:** ceiling, wall, recess
- **Colours:** white RAL 9016 or anodised aluminum, special colours possible
- **Fabrics:** refer to Silent Gliss fabric collection

### **Features:**

- Optimised light control
- Various control options
- Sloping applications
- Louvre width: 127 mm (standard), 89 mm
- Vertical Waves
- Bendable

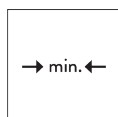
04/2024/V1

# SYSTEM SPECIFICATIONS

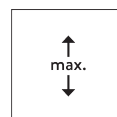
## A. SYSTEM DIMENSIONS



6 m



Single Stack: 50 cm  
Pair stack: 1.1 m






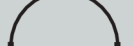




4 m






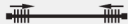


600 g per louvre

## Max. system widths

		
	127 mm 89 mm	6 m 6 m
	127 mm 89 mm	6 m 6 m
	127 mm 89 mm	6 m 5 m
	127 mm 89 mm	5 m 5 m
	127 mm 89 mm	6 m 5 m
	127 mm 89 mm	5 m 4.5m

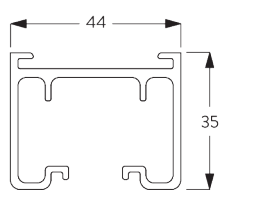
## Stack sizes

													
		100	150	200	250	300	350	400	450	500	550	600	
127 mm		27	35	42	50	57	65	72	80	87	95	101	
		21	25	28	32	36	39	43	47	50	54	58	
89 mm		29	40	50	60	69	80	89	100	110	120	129	
		20	25	30	35	39	45	50	56	60	65	69	

(cm)

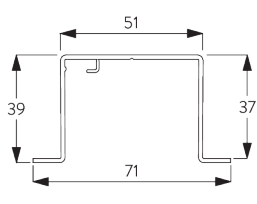
## B. PROFILE

### Profile and bending information



SG 2901

Profile

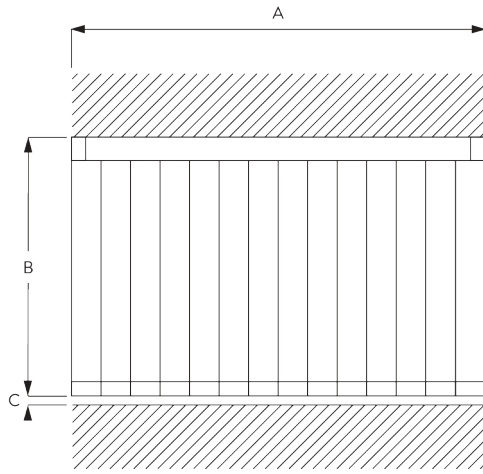


SG 2932

Recess profile

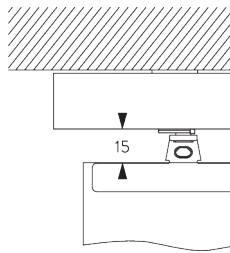


**C. HOW TO  
MEASURE**



A: System width  
B: System height  
C: Distance between floor and fabric

**Light gap**

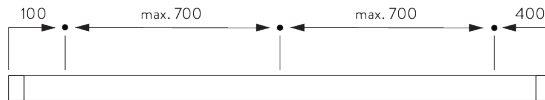


**FITTING**

**A. FITTING  
INFORMATION**

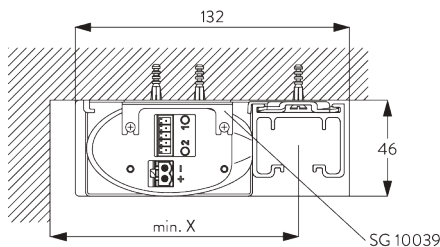
For detailed fitting information, visit the Silent Gliss website.

**Fixing points**

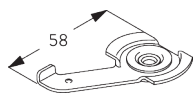


**B. CEILING FITTING**

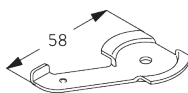
**Clamp SG 3033 /  
SG 3044**



Min. wall distance louvres	X mm
89 mm	120
127 mm	120
Vertical Waves 89 mm	115
Vertical Waves 125 mm	140



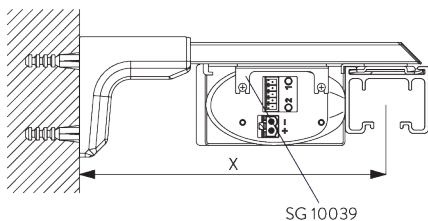
**SG 3033**  
Clamp



**SG 3044**  
Clamp

## C. WALL FITTING

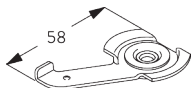
### Smart Fix



#### Universal Smart Fix SG 11156 and clamp SG 3033 / SG 3044

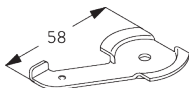
Screw SG 11158 (M4x12) needed.

Smart Fix	X mm
SG 11156	182-210
<hr/>	
Min. wall distance louvres	
89 mm	150
127 mm	150
Vertical Waves 89 mm	115
Vertical Waves 125 mm	140



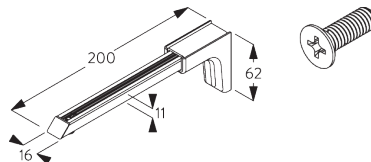
#### SG 3033

Clamp



#### SG 3044

Clamp



#### SG 11156

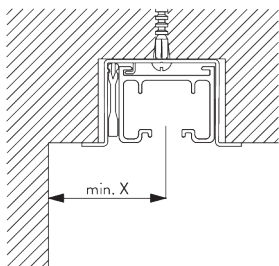
Universal Smart Fix 200 mm

#### SG 11158

Countersunk head screw  
M4x12

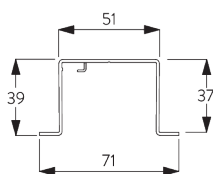
## D. RECESS FITTING

### Recess profile SG 2932



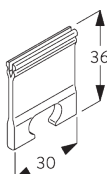
Recess profile SG 2932 can not be bent!  
Larger recess for motor is necessary!  
One wedge SG 2941 per fixing point.  
For detailed recess fitting, visit the Silent Gliss website.

Min. wall distance louvres	X mm
89 mm	65
127 mm	85
Vertical Waves 89 mm	115
Vertical Waves 125 mm	140



#### SG 2932

Recess profile

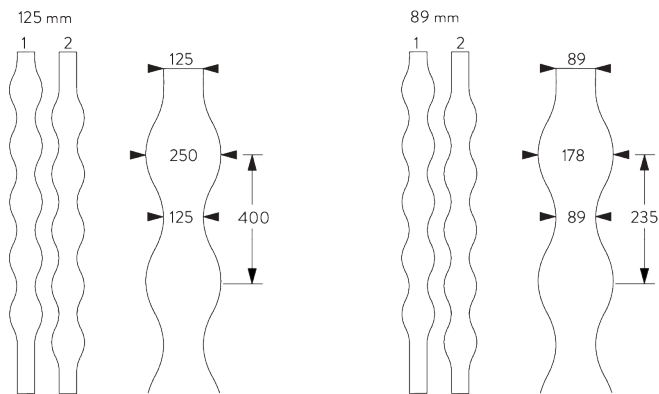
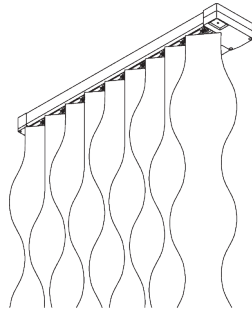


#### SG 2941

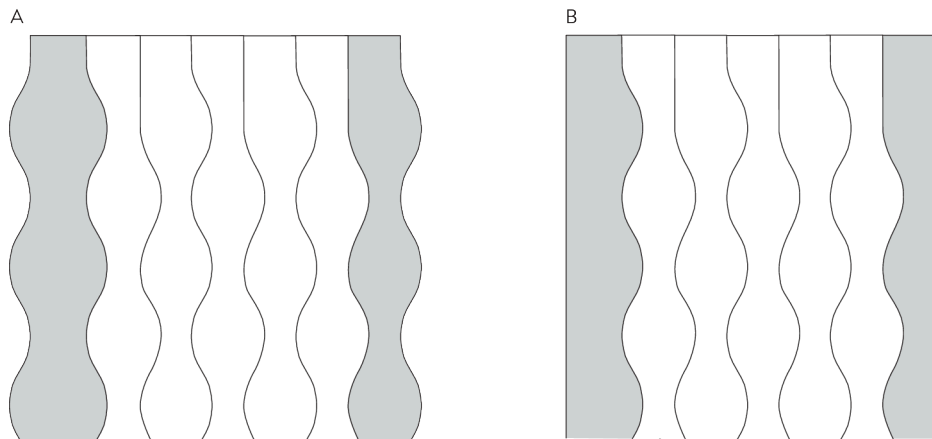
Wedge

# SYSTEM OPTIONS

## A. VERTICAL WAVES



3D Vertical Waves only applicable with 125 mm louvers.

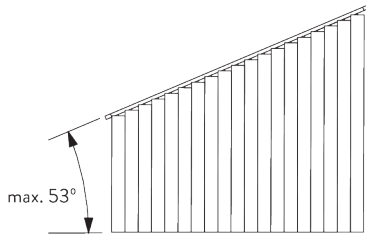


Wall ending

A: Wavy edge

B: Straight edge

## B. SLOPING WINDOWS

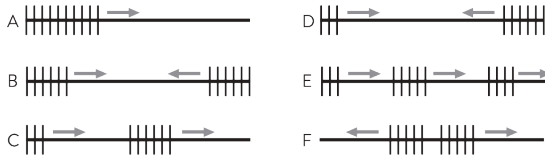


Maximum slope depends on louvre widths:

- 45° with 127 mm louvres
- 53° with 89 mm louvres

Not suitable with system option Vertical Waves.  
Both the stack and the motor need to be at the top of the slope.

## C. STACKING VARIATIONS



- A: Single stack in one direction
- B: Pair stack in two directions symmetrical
- C: Pair stack in one direction asymmetrical
- D: Pair stack in two directions asymmetrical
- E: Multiple stacking in one direction symmetrical or asymmetrical
- F: Centre stack

# MOTORS & CONTROLS

## A. MOTOR FEATURES

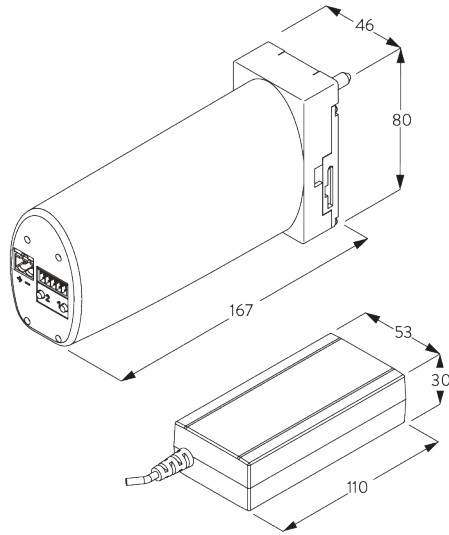
Motors	SG 9090	SG 9091
<b>Motor Features</b>		
Soft start / stop	●	●
Built-in receiver		●
Electronic end-stop	●	●
Electronic revolution counter (unlimited revolution)	●	●
IP class	IP 40	IP 40
<b>Control Features</b>		
Dry contact control	●	●
Dry contact and / or SG Control L		●
SG Control L (built-in receiver)		●
Suitable for most major home automation systems (with suitable interface)	●	●

## B. MOTOR SPECIFICATIONS

Motors	Voltage	Current	System speed / sec	Frequency receiver
SG 9090	24 V DC	1.8 A	10 cm / sec	n/a
SG 9091	24 V DC	1.8 A	10 cm / sec	433/868/915 MHz

See website for wiring diagram.

**C. MOTOR**  
**DIMENSIONS**



Motors SG 9090 / SG 9091 DC (24 V)  
Power supply SG 11426 needed to operate the motors.

**D. OPERATING**  
**METHODS**

See catalogue "controls" for details.

Wall Switch



System can be operated by fixed wall switch.

SG Control L



Various radio hand-held and wall transmitters available.



Silent Gliss Move App.

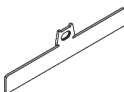


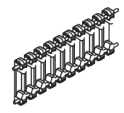

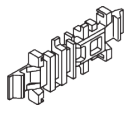
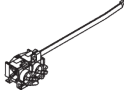

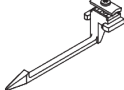

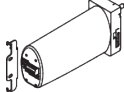
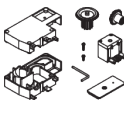
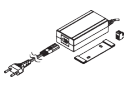
**E. WIRING**  
**DIAGRAMS**




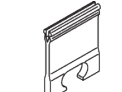
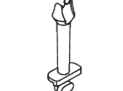
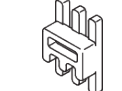
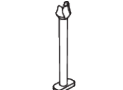
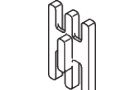

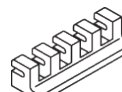
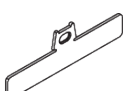
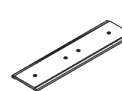
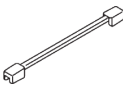
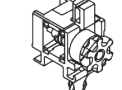
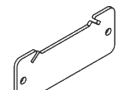
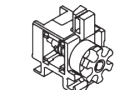

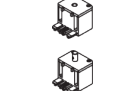
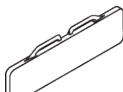
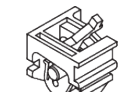





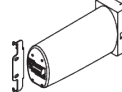
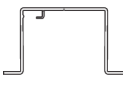
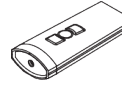


Refer to Silent Gliss website.

# PARTS

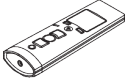
## A. STANDARD PARTS

	<b>SG 2605</b> Top clip 127 mm
	<b>SG 2888</b> Bottom link 127 mm
<td><b>SG 2892</b> Bottom weight 127 mm / 5"</td>	<b>SG 2892</b> Bottom weight 127 mm / 5"
	<b>SG 2901</b> Profile
	<b>SG 2912</b> Toothed chain
	<b>SG 2916</b> Rotation element set 127 mm
	<b>SG 2925</b> Chain connector
	<b>SG 2927</b> Pilot runner
	<b>SG 2949</b> End stop
	<b>SG 2982</b> End stop
	<b>SG 3033</b> Clamp
	<b>SG 9090</b> Motor 24V DC
	<b>SG 9119</b> Gear drive set
	<b>SG 11426</b> Power supply 24V / 2A including cable with EU/CH plug

## B. OPTIONAL PARTS

	<b>SG 2735</b> Holder		<b>SG 2941</b> Wedge
	<b>SG 2775</b> Sloping window distance part		<b>SG 2944</b> Limit stop
	<b>SG 2776</b> Sloping window distance part		<b>SG 2945</b> Limit stop
	<b>SG 2793</b> Sloping window distance part		<b>SG 2946</b> Limit stop
	<b>SG 2813</b> Top clip 89 mm		<b>SG 2962</b> Connection bridge
	<b>SG 2881</b> Spring		<b>SG 2971</b> Rotation element sloping window
	<b>SG 2884</b> Bottom weight 89 mm		<b>SG 2975</b> Pilot runner sloping window
	<b>SG 2889</b> Bottom link 89 mm		<b>SG 2976</b> Drive set sloping window
	<b>SG 2890</b> Bottom weight 127 mm		<b>SG 2979</b> Brake sloping window
	<b>SG 2917</b> Rotation element set 100 mm		<b>SG 2989</b> Connector
	<b>SG 2918</b> Rotation element set 89 mm		<b>SG 3044</b> Clamp
	<b>SG 2919</b> Rotation element set 80 mm		<b>SG 9091</b> Motor 24V DC, radio receiver
	<b>SG 2932</b> Recess profile		<b>SG 10300</b> Radio hand held 1 channel
	<b>SG 2937</b> Safety device		<b>SG 10302</b> Radio hand held 5+1 channel



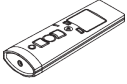


---

**SG 10303**

*Radio hand held 10+2+1 channel*

---

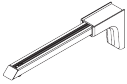


---

**SG 10804**

*Radio hand held 15+5+1 channel*

---



---

**SG 11156**

*Universal Smart Fix 200 mm*

---



---

**SG 11480**

*Radio wall transmitter 1 channel*

---



---

**SG 11490**

*Radio wall transmitter 5+1 channel*

---





