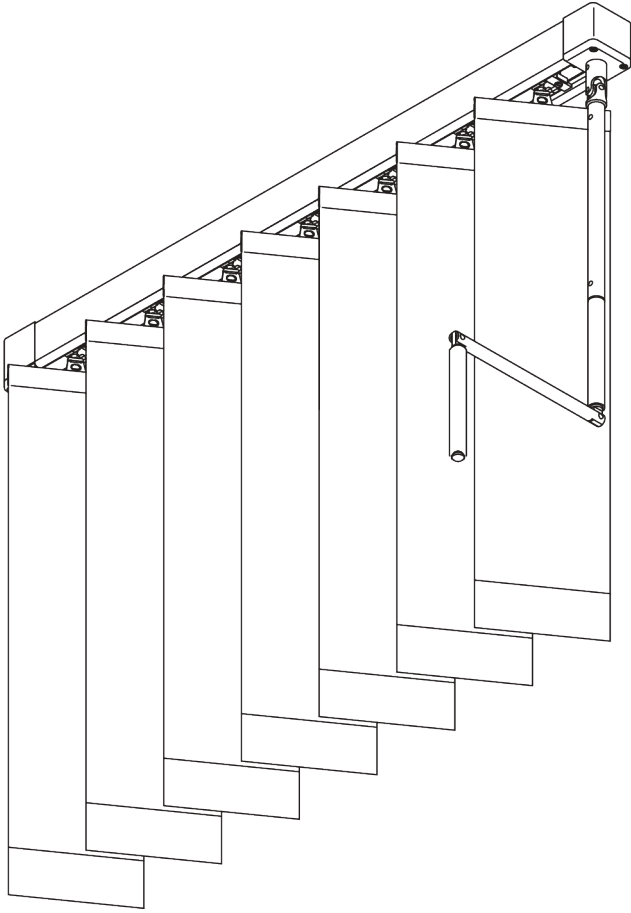


# SG 2900

---



## PRODUCT INFORMATION

- **Operation:** Crank
- **Range:** S - L
- **Fitting:** ceiling, wall, recess
- **Colours:** white RAL 9016 or anodised aluminum, special colours possible
- **Fabrics:** refer to Silent Gliss fabric collection

### **Features:**

- Optimised light control
- Mono controlled
- Sloping applications
- Louvre width: 127 mm (standard), 89 mm
- Vertical Waves
- Bendable

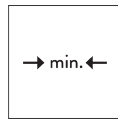
04/2024/V1

# SYSTEM SPECIFICATIONS

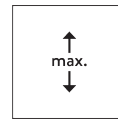
## A. SYSTEM DIMENSIONS



6 m



Single Stack: 50 cm  
Pair stack: 1.1 m



4 m



600 g per louvre

## Max. system widths

	127 mm 89 mm	6 m 6 m
	127 mm 89 mm	6 m 6 m
	127 mm 89 mm	6 m 5 m
	127 mm 89 mm	5 m 5 m
	127 mm 89 mm	6 m 5 m

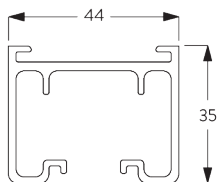
## Stack sizes

		100	150	200	250	300	350	400	450	500	550	600	
127 mm		27	35	42	50	57	65	72	80	87	95	101	
		21	25	28	32	36	39	43	47	50	54	58	
89 mm		29	40	50	60	69	80	89	100	110	120	129	
		20	25	30	35	39	45	50	56	60	65	69	

(cm)

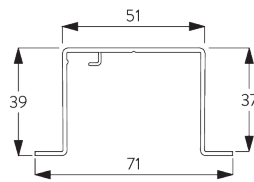
## B. PROFILE

### Profile and bending information



SG 2901

Profile

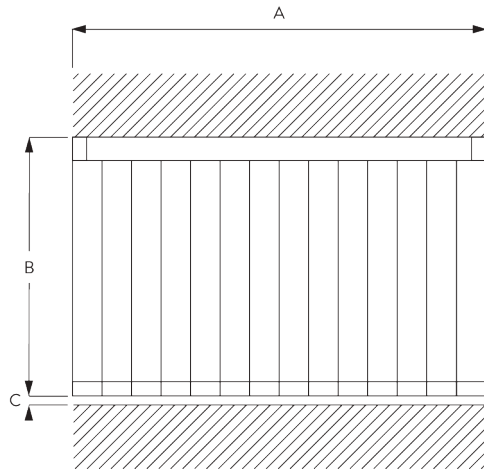


SG 2932

Recess profile



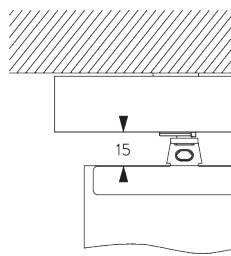
**C. HOW TO  
MEASURE**



A: System width  
B: System height  
C: Distance between floor and fabric

Crank height approx. 110 cm from the floor (crank extended)!

**Light gap**

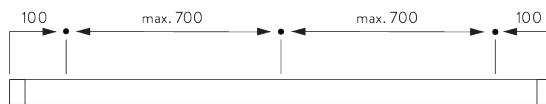


**FITTING**

**A. FITTING  
INFORMATION**

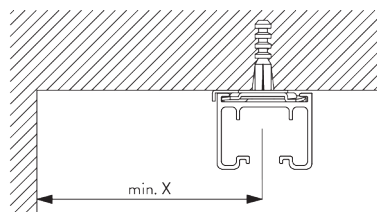
For detailed fitting information, visit the Silent Gliss website.

**Fixing points**

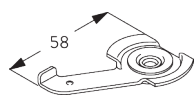


**B. CEILING FITTING**

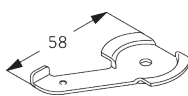
Clamp SG 3033 / SG 3044



Min. wall distance louvres	X mm
89 mm	65
127 mm	85
Vertical Waves 89 mm	115
Vertical Waves 125 mm	140



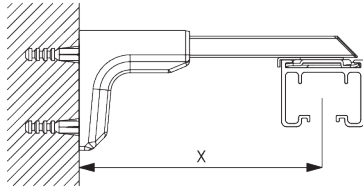
**SG 3033**  
Clamp



**SG 3044**  
Clamp

## C. WALL FITTING

### Smart Fix

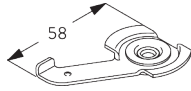


**Universal Smart Fix SG 11154 - SG 11156  
and clamp SG 3033 / SG 3044**  
Screw SG 11158 (M4x12) needed.

Smart Fix	X mm
SG 11154	102-130
SG 11155	132-160
SG 11156	182-210

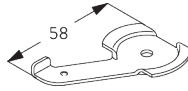
Min. wall distance louvres

Vertical Waves 89 mm	115
Vertical Waves 125 mm	140



**SG 3033**

Clamp



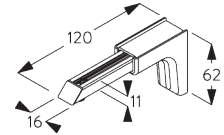
**SG 3044**

Clamp



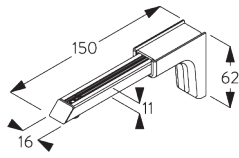
**SG 11158**

Countersunk head screw  
M4x12



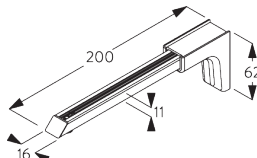
**SG 11154**

Universal Smart Fix 120 mm



**SG 11155**

Universal Smart Fix 150 mm

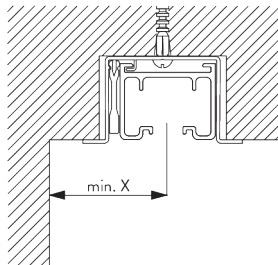


**SG 11156**

Universal Smart Fix 200 mm

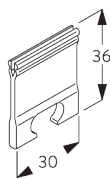
## D. RECESS FITTING

### Recess profile SG 2932



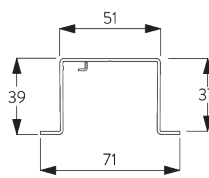
Recess profile SG 2932 can not be bent!  
One wedge SG 2941 per fixing point.  
For detailed recess fitting, visit the Silent Gliss website.

Min. wall distance louvres	X mm
89 mm	65
127 mm	85
Vertical Waves 89 mm	115
Vertical Waves 125 mm	140



**SG 2941**

Wedge

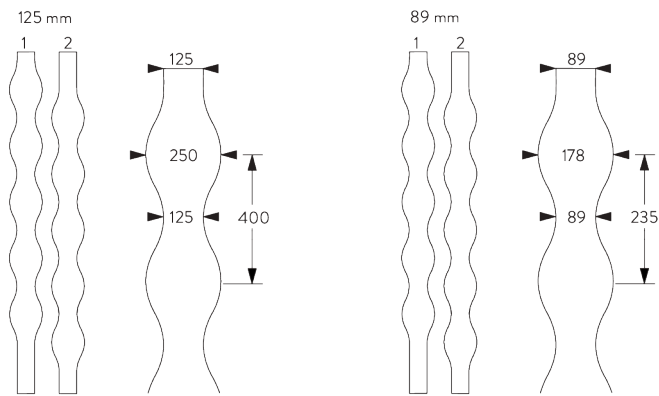
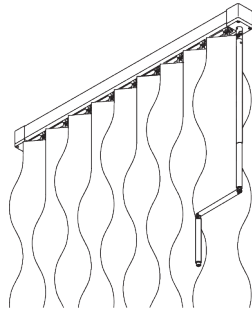


**SG 2932**

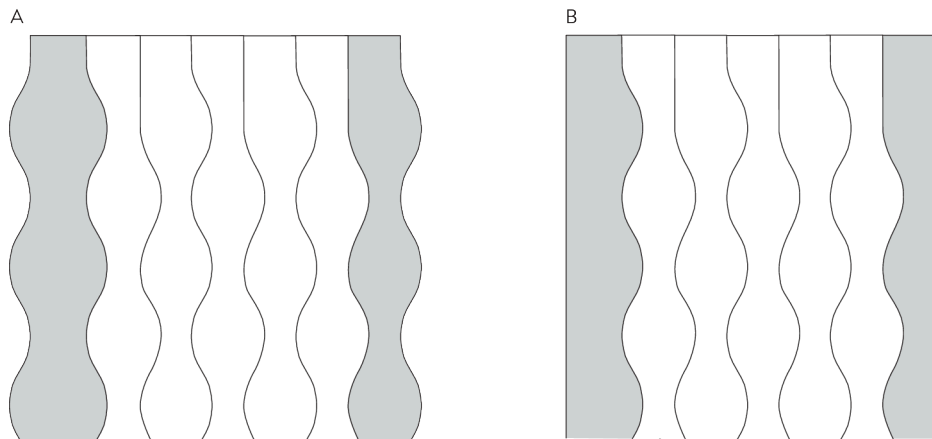
Recess profile

# SYSTEM OPTIONS

## A. VERTICAL WAVES



3D Vertical Waves only applicable with 125 mm louvres.

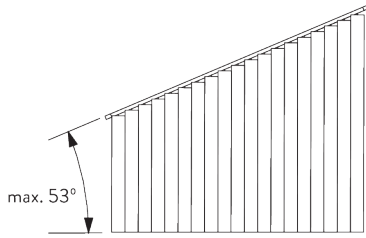


Wall ending

A: Wavy edge

B: Straight edge

**B. SLOPING  
WINDOWS**

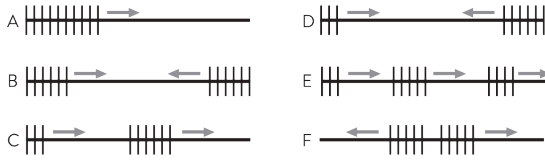


Maximum slope depends on louvre widths:

- 45° with 127 mm louvres
- 53° with 89 mm louvres

Not suitable with system option Vertical Waves.

**C. STACKING  
VARIATIONS**



A: Single stack in one direction

B: Pair stack in two directions symmetrical

C: Pair stack in one direction asymmetrical

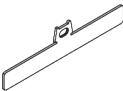

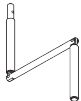
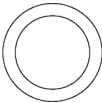

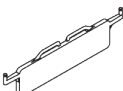
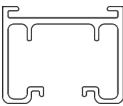




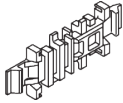
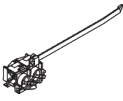

D: Pair stack in two directions asymmetrical

E: Multiple stacking in one direction symmetrical or asymmetrical

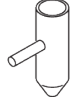

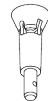
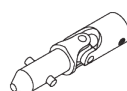



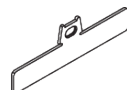
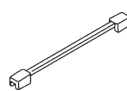
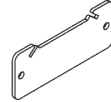

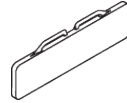


F: Centre stack

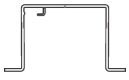
# PARTS

## A. STANDARD PARTS

	<b>SG 2605</b> Top clip 127 mm
	<b>SG 2742</b> Crank joint
	<b>SG 2756</b> Crank handle
	<b>SG 2759</b> Profile
	<b>SG 2888</b> Bottom link 127 mm
	<b>SG 2892</b> Bottom weight 127 mm / 5"
	<b>SG 2901</b> Profile
	<b>SG 2912</b> Toothed chain
	<b>SG 2916</b> Rotation element set 127 mm
	<b>SG 2917</b> Rotation element set 100 mm
	<b>SG 2920</b> Crank drive set
	<b>SG 2925</b> Chain connector
	<b>SG 2927</b> Pilot runner
	<b>SG 2949</b> End stop

## B. OPTIONAL PARTS

	<b>SG 2182</b> Sleeve
	<b>SG 2735</b> Holder
	<b>SG 2754</b> Detachable crank hood
	<b>SG 2755</b> Crank joint
	<b>SG 2775</b> Sloping window distance part
	<b>SG 2776</b> Sloping window distance part
	<b>SG 2793</b> Sloping window distance part
	<b>SG 2813</b> Top clip 89 mm
	<b>SG 2881</b> Spring
	<b>SG 2884</b> Bottom weight 89 mm
	<b>SG 2889</b> Bottom link 89 mm
	<b>SG 2890</b> Bottom weight 127 mm
	<b>SG 2918</b> Rotation element set 89 mm
	<b>SG 2919</b> Rotation element set 80 mm



**SG 2932**

Recess profile



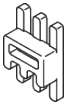
**SG 2937**

Safety device



**SG 2941**

Wedge



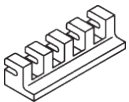
**SG 2944**

Limit stop



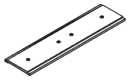
**SG 2945**

Limit stop



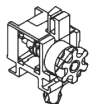
**SG 2946**

Limit stop



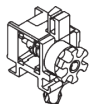
**SG 2962**

Connection bridge



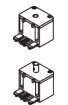
**SG 2971**

Rotation element sloping window



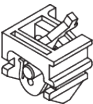
**SG 2975**

Pilot runner sloping window



**SG 2976**

Drive set sloping window



**SG 2979**

Brake sloping window



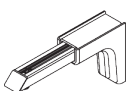
**SG 2989**

Connector



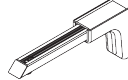
**SG 3044**

Clamp



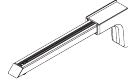
**SG 11154**

Universal Smart Fix 120 mm



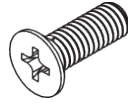
**SG 11155**

Universal Smart Fix 150 mm



**SG 11156**

Universal Smart Fix 200 mm



**SG 11158**

Countersunk head screw M4x12