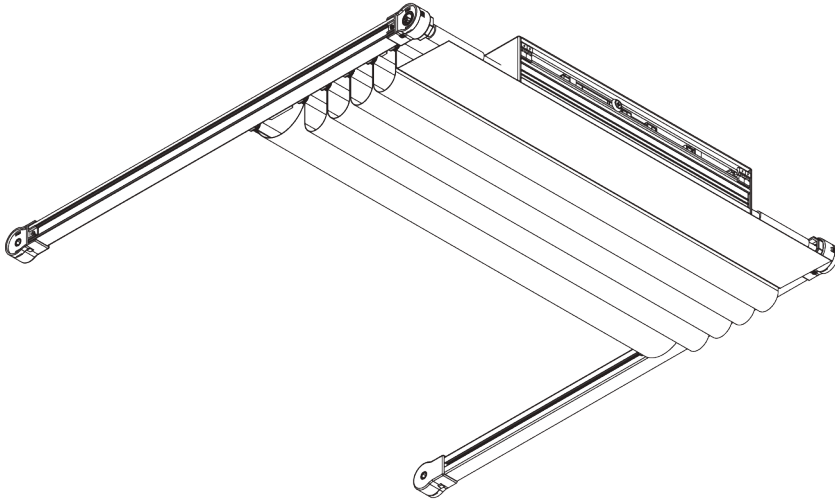


SG 2195



PRODUCT INFORMATION

- **Operation:** motorised
- **Range:** S - L
- **Fitting:** ceiling, wall
- **Colours:** white RAL 9016 or anodised aluminum, special colours possible
- **Fabrics:** refer to Silent Gliss fabric collection

Features:

- Bendable
- Sloping
- Cantilever
- Three connected systems
- Various control options

SYSTEM SPECIFICATIONS

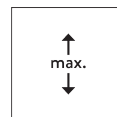
A. SYSTEM DIMENSIONS



3 m
(plus 0.8 m each side for cantilever)



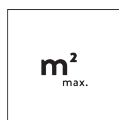
60 cm



6 m



25 kg



18 m²

Max. system sizes and weights - straight systems

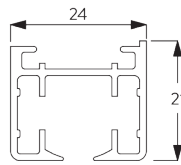
SG 2195	A (m)		B (m)		kg _{max.}	m ² _{max.}	
	Type 1	Type 2/3	Type 1	Type 2/3	Type 1/2/3	Type 1/2/3	
	□	2.5	3	6	6	18	18
	▢	2 / 2	2 / 2	6	6	18	24
	▣	1.2 / 1.2 / 1.2	1.2 / 1.2 / 1.2	5	5	18	18
 $\triangle \text{max. } 45^\circ$	□	2.5	3	6	6	25	18
	▢	2.5 / 2.5	2.5 / 2.5	6	6	25	30
	▣	2 / 2 / 2	2 / 2 / 2	6	6	25	36
	□	2.5	3	6	6	25	18
	▢	2.5 / 2.5	2.5 / 2.5	6	6	25	30
	▣	2 / 2 / 2	2 / 2 / 2	6	6	25	36

Bent systems

SG 2195	A (m)		B (m)		kg _{max}	m ²
	Type 1	Type 2/3	Type 1	Type 2/3	Type 1/2/3	Type 1/2/3
		2.5	2.5	6	6	18
	2 / 2	2 / 2	6	6	18	24
	1.2 / 1.2 / 1.2	1.2 / 1.2 / 1.2	6	6	18	21.6
	2.5	2.5	6	6	18	15
	1.5 / 1.5	1.5 / 1.5	5	5	18	15
	0.8 / 0.8 / 0.8	0.8 / 0.8 / 0.8	5	5	18	12
	2.5	2.5	4	4	15	10
	1.5 / 1.5	1.5 / 1.5	4	4	15	12
	0.8 / 0.8 / 0.8	0.8 / 0.8 / 0.8	3	3	15	7.2

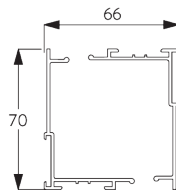
B. PROFILE

Profile and bending information

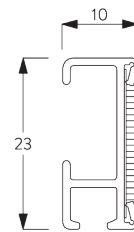


SG 2191
Profile

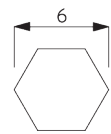
Radius:
✓ >25 cm



SG 2151
Profile



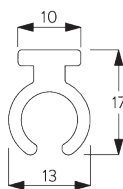
SG 2116
Velcro profile



SG 2111
Shaft



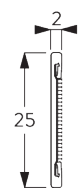
SG 2156
Shaft



SG 2231
Profile



SG 2246
Rod PVC ø 5 mm

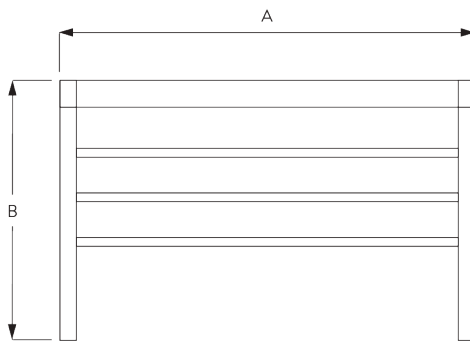


SG 2510
Velcro profile

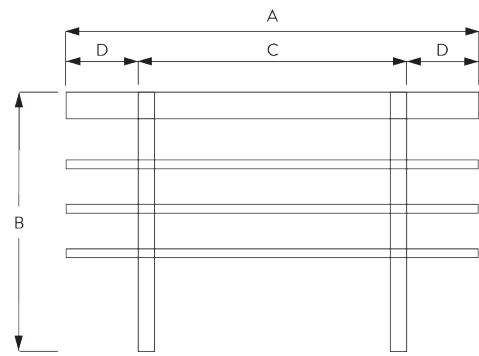


SG 2759
Profile

C. HOW TO MEASURE



A: System width
B: System height



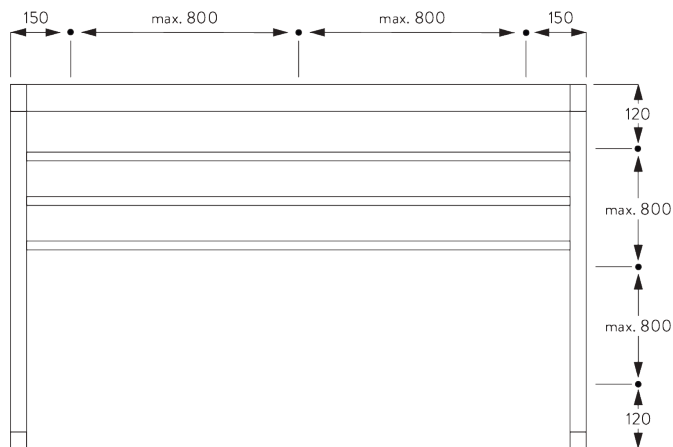
A: System width
B: System height
C: Base system
D: Cantilever max. 80 cm

FITTING

A. FITTING INFORMATION

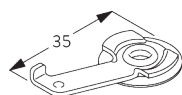
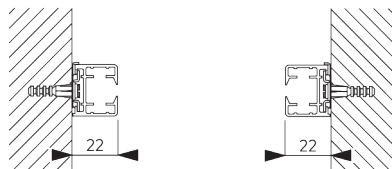
For detailed fitting information, visit the [Silent Gliss website](#).

Fixing points



B. INSIDE FITTING

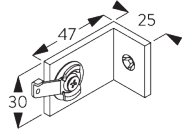
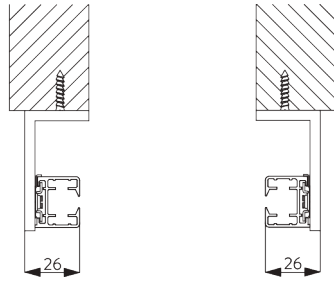
Clamp SG 3825



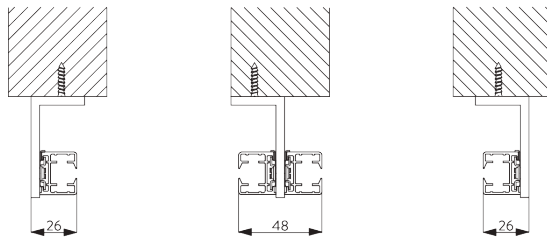
SG 3825
Clamp

C. FACE FITTING

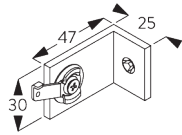
Bracket SG 3181 /
SG 3182



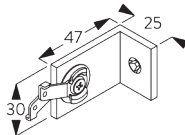
SG 3181
Bracket 1 clamp



Double system



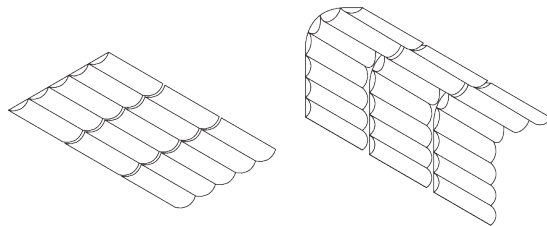
SG 3181
Bracket 1 clamp



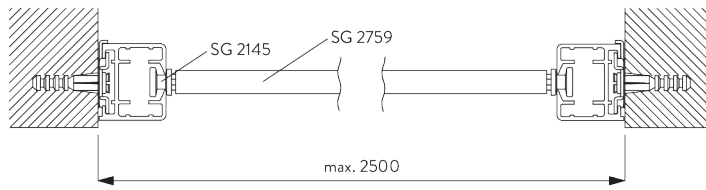
SG 3182
Bracket 2 clamps

SYSTEM OPTIONS

A. TWO OR THREE CONNECTED SYSTEMS

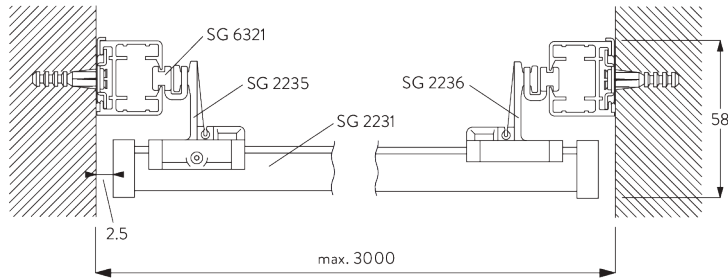


**B. INSTALLATION
OPTIONS**



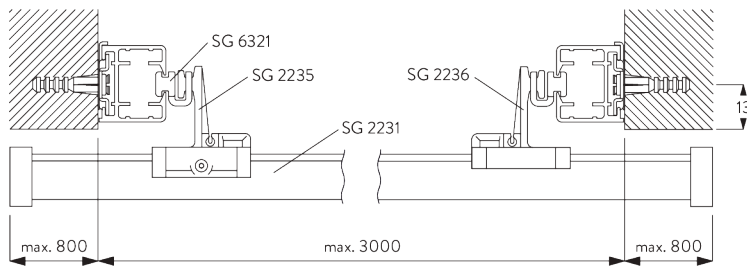
Type 1

- SG 2145: Glider
- SG 2759: Profile



Type 2 (Profiles covered)

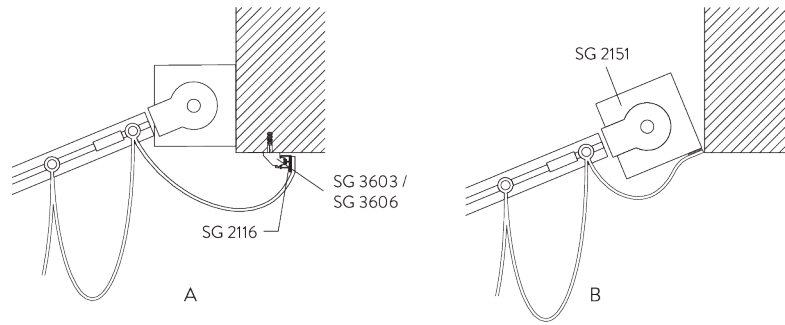
- SG 2231: Profile
- SG 2235: Glider with screw
- SG 2236: Glider without screw
- SG 6321: Glider



Type 3 (Cantilever version to cover side profiles)

- SG 2231: Profile
- SG 2235: Glider with screw
- SG 2236: Glider without screw
- SG 6321: Glider

C. FABRIC FIXING



A: Fixing of fabric with profile SG 2116 (standard)

B: Fixing of fabric directly on headrail cassette

MOTOR & CONTROLS

A. MOTOR FEATURES

Motors	SG 2160
Motor Features	
Mechanical end-stop	●
Mechanical revolution counter (limited revolution)	●
Noiseless stop	●
IP class	IP 44
Control Features	
Mains power control	●
SG Control L (external receiver required)	●
Suitable for most major home automation systems (with suitable interface)	●

B. MOTOR SPECIFICATIONS

Motors	Voltage	Current	Frequency	Speed
SG 2160	230 V AC	0.5 A	50 Hz	26 rpm

See website for wiring diagram.

C. OPERATING METHODS

See catalogue "controls" for details.

Wall Switch



System can be operated by fixed wall switch.

SG Control L



*Various radio hand-held and wall transmitters available.
An external receiver is required.*



Silent Gliss Move App.

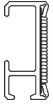
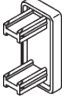
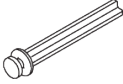

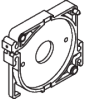
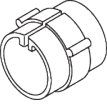


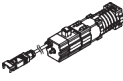
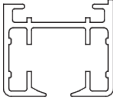
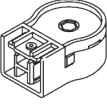
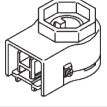
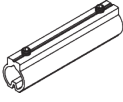
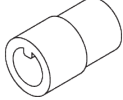
D. WIRING
DIAGRAMS

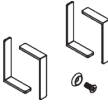
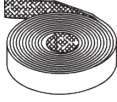
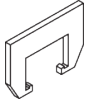
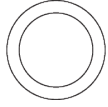
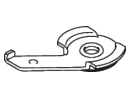
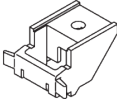
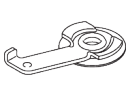
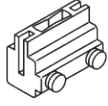
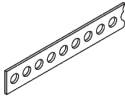

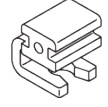
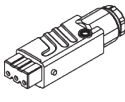


Refer to Silent Gliss website.


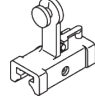
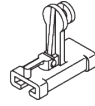
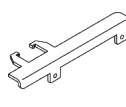
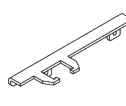
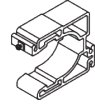
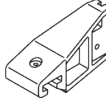

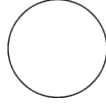
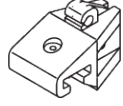

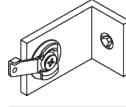
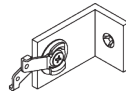

PARTS

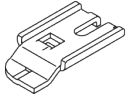
A. STANDARD PARTS

	SG 2116 Velcro profile
	SG 2131 End cover
	SG 2145 Glider
	SG 2151 Profile
	SG 2152 Bearing shell
	SG 2153 Pulley
	SG 2154 End cover
	SG 2156 Shaft
	SG 2160 Motor 230V AC, JA 06/26 soft
	SG 2191 Profile
	SG 2193 Guide return
	SG 2230 Drive
	SG 2242 Connector
	SG 2245 Shaft connector

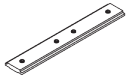
	SG 2247 Set Elero 230V
	SG 2539 Tape
	SG 2613 Connector
	SG 2759 Profile
	SG 3004 Clamp
	SG 3603 Bracket
	SG 3825 Clamp
	SG 5005 Belt connector
	SG 5130 Driving belt
	SG 6086 Spring stop
	SG 6321 Glider
	SG 9917 Hirschmann portable socket-outlet STAK 3 N

B. OPTIONAL PARTS

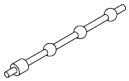
	SG 2231 Profile
	SG 2235 Cross glider
	SG 2236 Cross profile glider
	SG 2237 Overlap arm right
	SG 2238 Overlap arm left
	SG 2239 Guide
	SG 2241 Halter
	SG 2243 End cover
	SG 2246 Rod PVC ø 5 mm
	SG 2249 Holder
	SG 2510 Velcro profile
	SG 3181 Bracket 1 clamp
	SG 3182 Bracket 2 clamps
	SG 3606 Clip

**SG 3832**

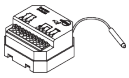
Bracket

**SG 5115**

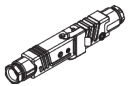
Connection bridge

**SG 6322**

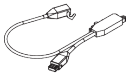
Distance cord

**SG 9068**

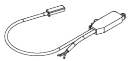
Radio receiver Revio

**SG 9916**

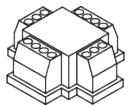
Hirschmann plug set

**SG 9944**

Radio receiver 1 channel

**SG 9945**

Radio receiver 1 channel

**SG 9959**

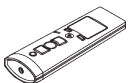
Central control unit relay

**SG 10300**

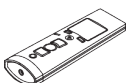
Radio hand held 1 channel

**SG 10302**

Radio hand held 5+1 channel

**SG 10303**

Radio hand held 10+2+1 channel

**SG 10804**

Radio hand held 15+5+1 channel

**SG 11480**

Radio wall transmitter 1 channel

**SG 11490**

Radio wall transmitter 5+1 channel

