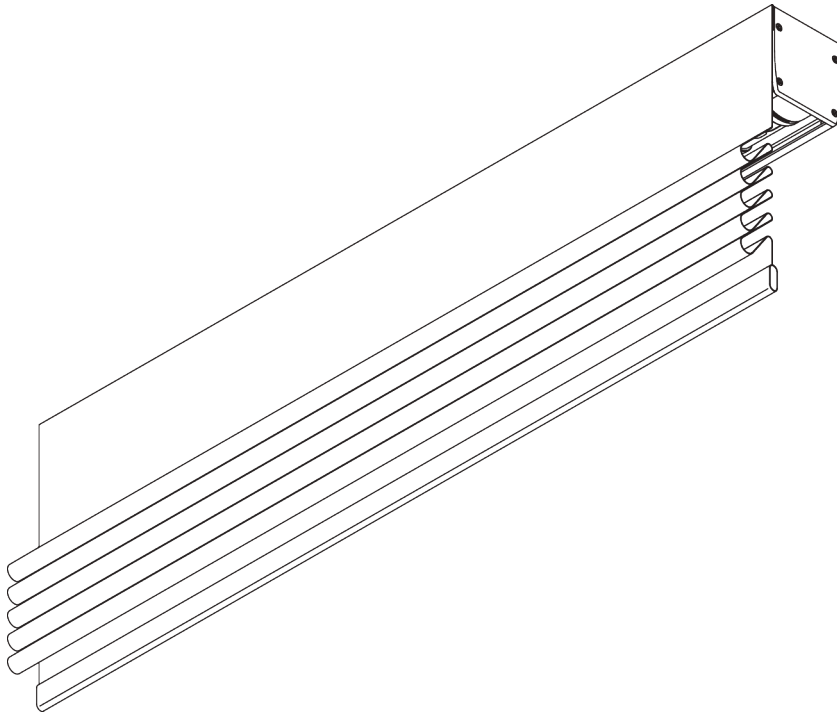
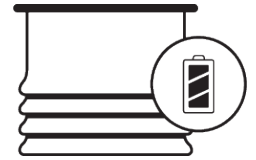


# SG 2345

---



## PRODUCT INFORMATION

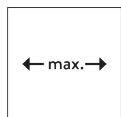
- **Operation:** motorised (battery operated)
- **Range:** S - M
- **Fitting:** ceiling, wall
- **Colours:** white RAL 9016
- **Fabrics:** refer to Silent Gliss fabric collection

### **Features:**

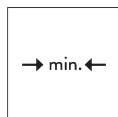
- Various control options
- Easy exchange of batteries
- Enclosed headrail

# SYSTEM SPECIFICATIONS

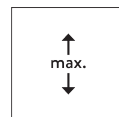
## A. SYSTEM DIMENSIONS



6 m



60 cm



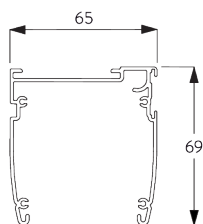
6 m



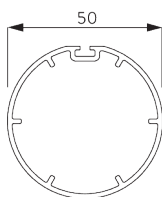
2.5 kg

## B. PROFILE

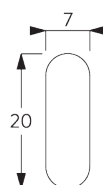
Profile information



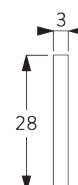
**SG 2351**  
Profile



**SG 2352**  
Profile ø 50 mm



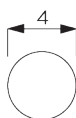
**SG 2004**  
Bottom bar 20x7 mm



**SG 2006**  
Bottom bar 28x3 mm

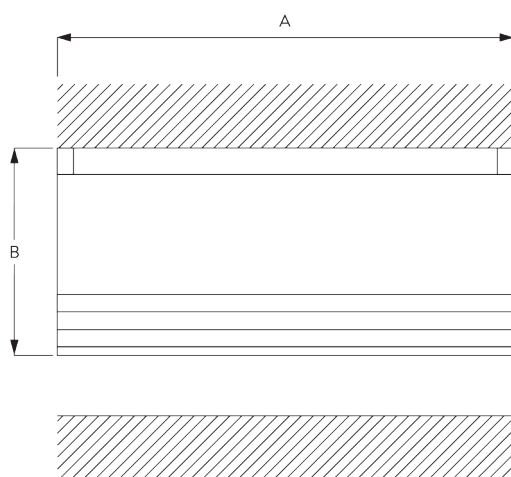


**SG 2135**  
Rod steel ø 3 mm



**SG 2137**  
Rod fiberglass ø 4 mm

## C. HOW TO MEASURE



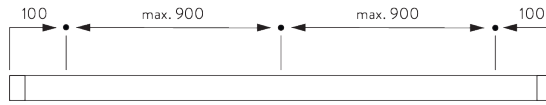
A: System width  
B: System height

# FITTING

## A. FITTING INFORMATION

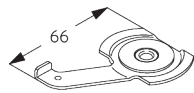
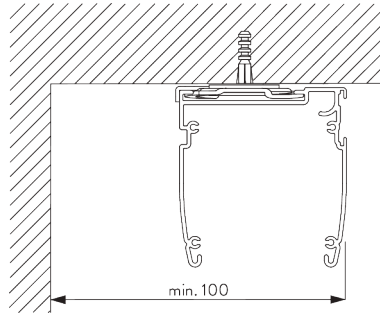
For detailed fitting information, visit the *Silent Gliss* website.

### Fixing points



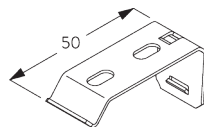
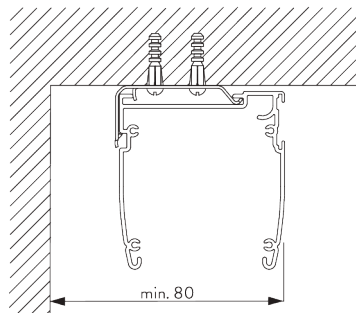
## B. CEILING FITTING

### Clamp SG 3003



**SG 3003**  
Clamp

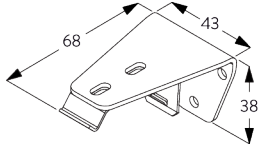
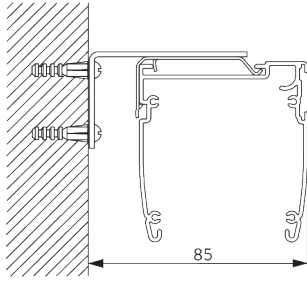
### Bracket SG 2521



**SG 2521**  
Bracket

**C. WALL FITTING**

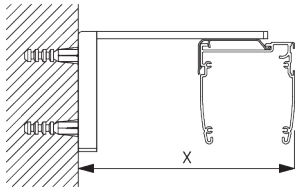
**Bracket SG 2363**



**SG 2363**

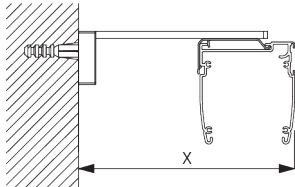
Bracket 68 mm

**Smart Fix**



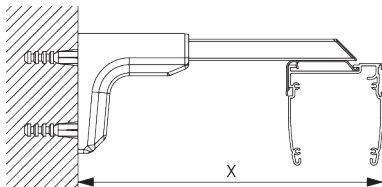
**Smart Fix SG 11200 - SG 11204 and bracket SG 2521:**

Screw SG 10395 (M4x6) needed.



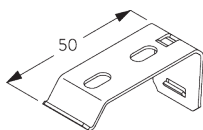
**Square Smart Fix SG 11210 - SG 11214 and bracket SG 2521:**

Screw SG 10395 (M4x6) needed.



**Universal Smart Fix SG 11154 - SG 11156 and bracket SG 2521:**

Screw SG 10492 (M4x8) needed.



**SG 2521**

Bracket



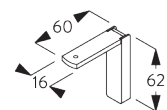
**SG 10395**

Pan head screw M4x6



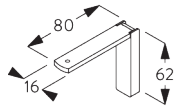
**SG 10492**

Pan head screw M4x8

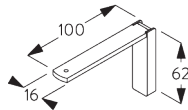


**SG 11200**

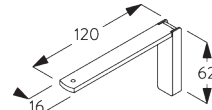
Smart Fix 60 mm



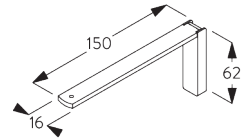
**SG 11201**  
Smart Fix 80 mm



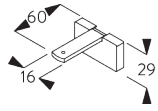
**SG 11202**  
Smart Fix 100 mm



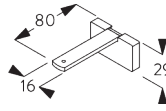
**SG 11203**  
Smart Fix 120 mm



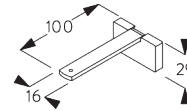
**SG 11204**  
Smart Fix 150 mm



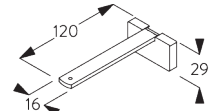
**SG 11210**  
Square Smart Fix 60 mm



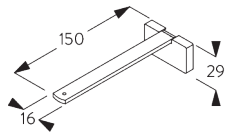
**SG 11211**  
Square Smart Fix 80 mm



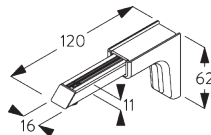
**SG 11212**  
Square Smart Fix 100 mm



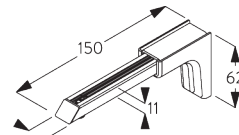
**SG 11213**  
Square Smart Fix 120 mm



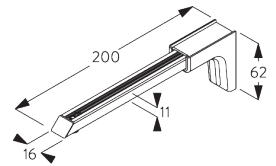
**SG 11214**  
Square Smart Fix 150 mm



**SG 11154**  
Universal Smart Fix 120 mm



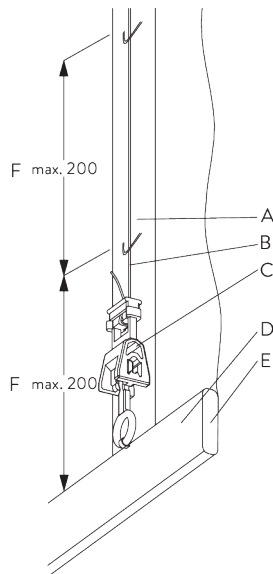
**SG 11155**  
Universal Smart Fix 150 mm



**SG 11156**  
Universal Smart Fix 200 mm

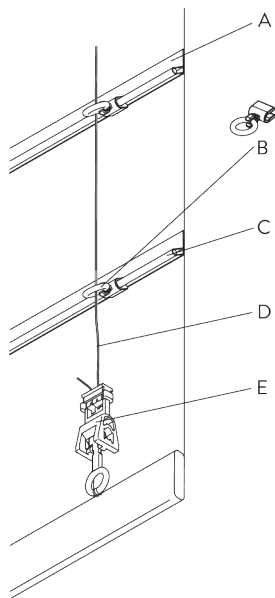
# SYSTEM OPTIONS

## A. FABRIC MAKE-UP



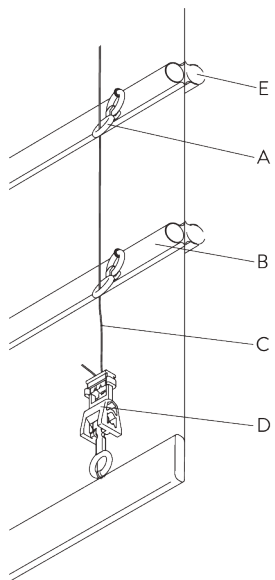
### Type A (Standard)

- A: Loop tape SG 3074
- B: Cord SG 2216
- C: Child safety hook set SG 3164
- D: Hollow hem
- E: Bottom bar SG 2004
- F: Child safety: max. distance 200 mm



**Type B**

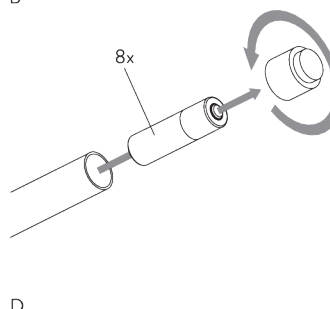
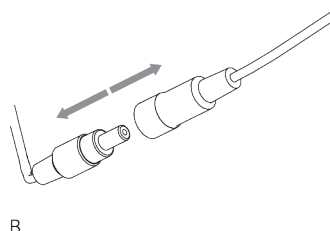
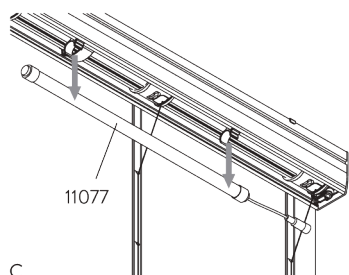
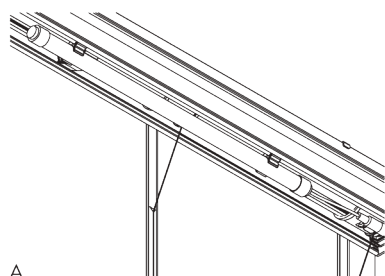
- A: Hollow hem
- B: Child safety eyelet hard fold SG 3069
- C: Rod SG 2135
- D: Cord SG 2216
- E: Child safety hook set SG 3164



**Type C**

- A: Child safety eyelet set SG 3161
- B: Tube SG 2135 / SG 2137
- C: Cord SG 2216
- D: Child safety hook set SG 3164
- E: Option: tube SG 2135 / SG 2137 can be installed to room side

**B. BATTERY EXCHANGE**



# MOTOR & CONTROLS

## A. MOTOR FEATURES

Motor	SG 11076
<b>Motor Features</b>	
Soft start / stop	●
Built-in receiver	●
Electronic end-stop	●
Electronic revolution counter (unlimited revolution)	●
IP class	IP 44
<b>Control Features</b>	
SG Control A	●

## B. MOTOR SPECIFICATIONS

Motor	Min. system width	Voltage	Current	Speed	Frequency receiver
SG 11076	60 cm	12 V DC	0.55 A	30 rpm	433 MHz

## C. OPERATION METHODS

See catalogue "controls" for details.



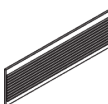
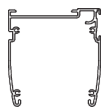
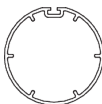
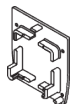

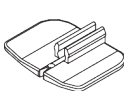

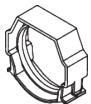


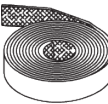
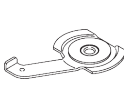
### SG Control A

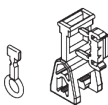
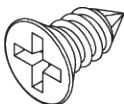
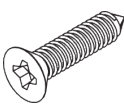




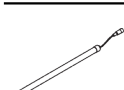

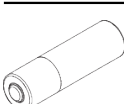



Various radio hand-held and wall transmitters available.


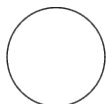
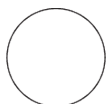

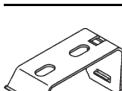
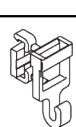
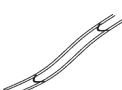

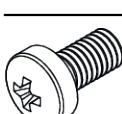
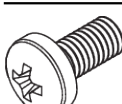
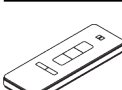
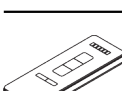

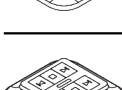
# PARTS

## A. STANDARD PARTS

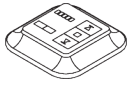
	<b>SG 2004</b> Bottom bar 20x7 mm
	<b>SG 2216</b> Cord ø 0.85 mm
	<b>SG 2221</b> Velcro tape
	<b>SG 2351</b> Profile
	<b>SG 2352</b> Profile ø 50 mm
	<b>SG 2353</b> End cover
	<b>SG 2354</b> End cover
	<b>SG 2357</b> Pin
	<b>SG 2358</b> Shell
	<b>SG 2359</b> Support
	<b>SG 2361</b> Tube adapter
	<b>SG 2368</b> Motor plate
	<b>SG 2539</b> Tape
	<b>SG 3003</b> Clamp

	<b>SG 3164</b> Child safety hook set
	<b>SG 10139</b> Countersunk screw 2.9x6.5
	<b>SG 10467</b> Countersunk head screw 2.9x13
	<b>SG 10946</b> Radio hand held 1 channel
	<b>SG 11071</b> Motor drive
	<b>SG 11074</b> Tube adapter
	<b>SG 11076</b> Motor 12V DC, 1.2/30
	<b>SG 11077</b> Battery box
	<b>SG 11085</b> Battery box holder
	<b>SG 11099</b> AA Energizer Ultimate lithium batteries
	<b>SG 11103</b> Warning sticker

## B. OPTIONAL PARTS

	<b>SG 2006</b> Bottom bar 28x3 mm
	<b>SG 2135</b> Rod steel ø 3 mm
	<b>SG 2137</b> Rod fiberglass ø 4 mm
	<b>SG 2363</b> Bracket 68 mm
	<b>SG 2521</b> Bracket
	<b>SG 3055</b> Hook
	<b>SG 3074</b> Loop tape
	<b>SG 3161</b> Child safety eyelet set
	<b>SG 10395</b> Pan head screw M4x6
	<b>SG 10492</b> Pan head screw M4x8
	<b>SG 10947</b> Radio hand held 2+1 channel
	<b>SG 10948</b> Radio hand held 6+1 channel
	<b>SG 10949</b> Radio wall transmitter 1 channel
	<b>SG 10950</b> Radio wall transmitter 2 channel

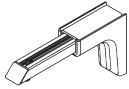


**SG 10951**

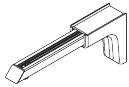
Radio wall transmitter 5+1 channel

**SG 11482**

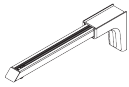
Ring

**SG 11154**

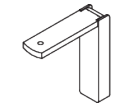
Universal Smart Fix 120 mm

**SG 11155**

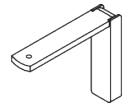
Universal Smart Fix 150 mm

**SG 11156**

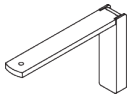
Universal Smart Fix 200 mm

**SG 11200**

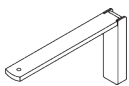
Smart Fix 60 mm

**SG 11201**

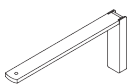
Smart Fix 80 mm

**SG 11202**

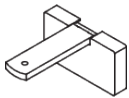
Smart Fix 100 mm

**SG 11203**

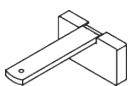
Smart Fix 120 mm

**SG 11204**

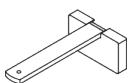
Smart Fix 150 mm

**SG 11210**

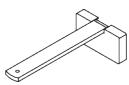
Square Smart Fix 60 mm

**SG 11211**

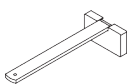
Square Smart Fix 80 mm

**SG 11212**

Square Smart Fix 100 mm

**SG 11213**

Square Smart Fix 120 mm

**SG 11214**

Square Smart Fix 150 mm





