

ROMAN BLIND SYSTEMS



GENERAL NOTES

Dimensions

- Measurements are in mm except where indicated.
- Max. kg relates to fabric incl. accessories (bottom bars, cross rods, etc.).
- Stack size is typically 15-20% of system height.







Fitting

- Installation by qualified fitter only.
- Number of brackets and fitting positions / fixing points vary depending on fitting surface, system weight, fabric make-up, screw / fixing type and obstacles.
- Qualified fitter must use appropriate screws / fixings for each situation.
- Electrical installations must be carried out according to Silent Gliss wiring diagrams and conform to local regulations.
- Check space for cables and plugs!

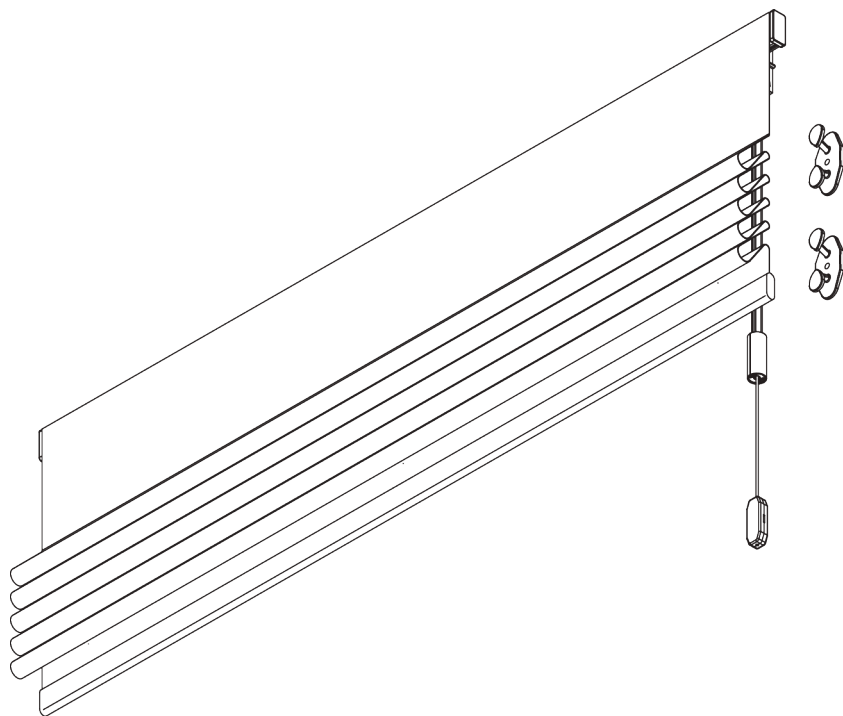
Child Safety

- All relevant Silent Gliss systems correspond to child safety EN 13120.
- All parties involved must comply with EN 13120.

APPLICATION CHART

<u>PAGE</u>	<u>SYSTEM</u>	<u>OPERATION</u>	<u>DIMENSION</u>	← max. →	↑ max. ↓	kg _{max.}
5	SG 2090		S	1 m	2 m	0.7 kg
9	SG 2120		L	4 m	6 m	8 kg
17	SG 2210		S - M	3 m	3 m	2 kg
25	SG 2305		S - M	3 m	3.4 m	4 kg
33	SG 2320		S - M	3 m	3 m	2.5 kg
43	SG 2345		S - M	6 m	6 m	2.5 kg
53	SG 2350		S - L	6 m	6 m	15 kg

SG 2090



PRODUCT INFORMATION

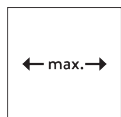
- **Operation:** cord
- **Range:** S
- **Fitting:** ceiling, wall
- **Colours:** white RAL 9016
- **Fabrics:** refer to Silent Gliss fabric collection

Features:

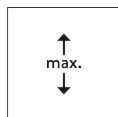
- Easy installation on window sash

SYSTEM SPECIFICATIONS

A. SYSTEM DIMENSIONS



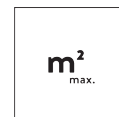
1 m



2 m



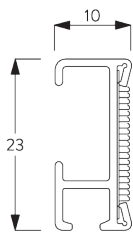
0.7 kg



2 m²

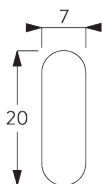
B. PROFILE

Profile information



SG 2116

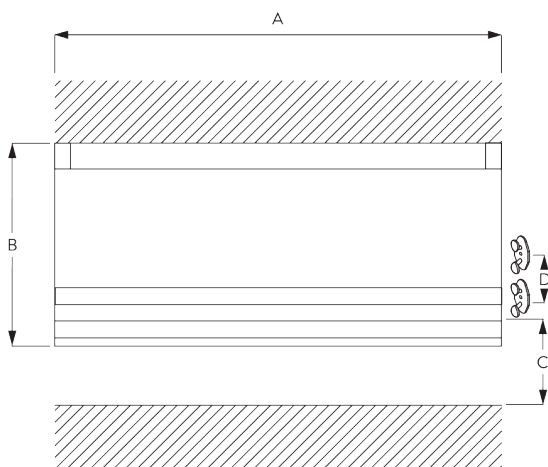
Velcro profile



SG 2004

Bottom bar 20x7 mm

C. HOW TO MEASURE



A: System width

B: System height

C: Cleats SG 10742 min. 150 cm above floor

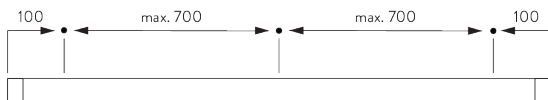
D: 7 - 35 cm depending on system height

FITTING

A. FITTING INFORMATION

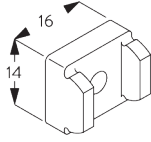
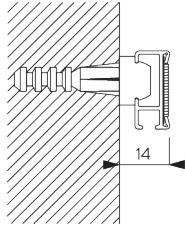
For detailed fitting information, visit the [Silent Gliss website](http://www.SilentGliss.com).

Fixing points



B. WALL FITTING

Clip bracket SG 3666

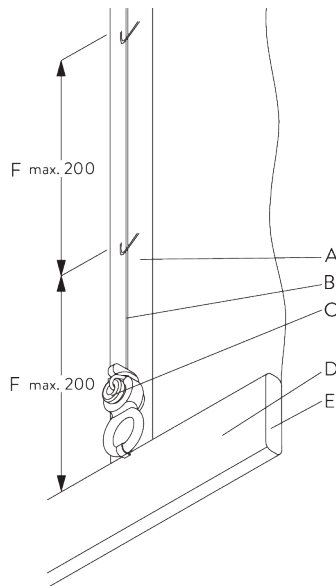


SG 3666

Clip

SYSTEM OPTIONS

A. FABRIC MAKE-UP



A: Loop tape SG 3074

B: Cord SG 2216

C: Child safety fastener set SG 3167


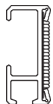
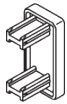
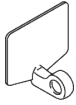

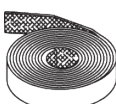
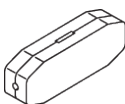
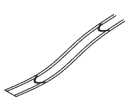

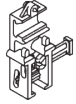
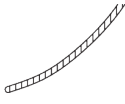
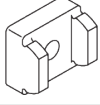

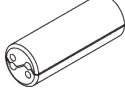
D: Hollow hem

E: Bottom bar SG 2004

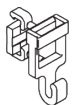
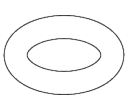
F: Child safety: max. distance 200 mm!

PARTS

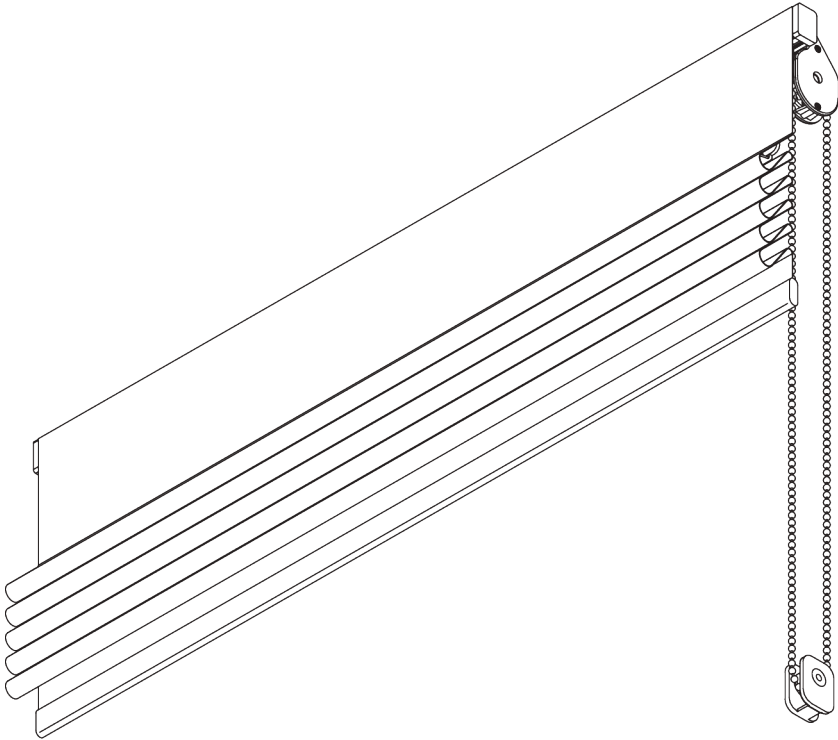
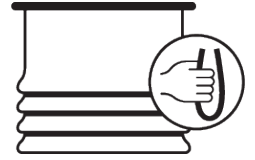
A. STANDARD PARTS

	SG 2004 Bottom bar 20x7 mm
	SG 2116 Velcro profile
	SG 2131 End cover
	SG 2215 Eyelet
	SG 2216 Cord ø 0.85 mm
	SG 2539 Tape
	SG 2826 Bead chain connector
	SG 3074 Loop tape
	SG 3167 Child safety fastener set
	SG 3185 Cord lock
	SG 3637 Cord ø 1.5 mm
	SG 3666 Clip
	SG 10742 Child safety cord cleat
	SG 10745 Child safety break away cord connector

B. OPTIONAL PARTS

	SG 3055 Hook
	SG 11482 Ring

SG 2120



PRODUCT INFORMATION

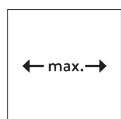
- **Operation:** chain
- **Range:** L
- **Fitting:** ceiling, wall
- **Colours:** white RAL 9016, anodised aluminum
- **Fabrics:** refer to Silent Gliss fabric collection

Features:

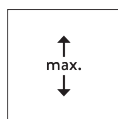
- 5-to-1 gear drive
- Bead chain

SYSTEM SPECIFICATIONS

A. SYSTEM DIMENSIONS



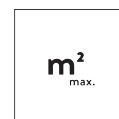
4 m



6 m



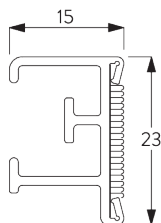
8 kg



24 m²

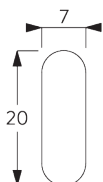
B. PROFILE

Profile Information



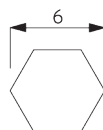
SG 2211

Velcro profile



SG 2004

Bottom bar 20x7 mm



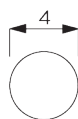
SG 2111

Shaft



SG 2135

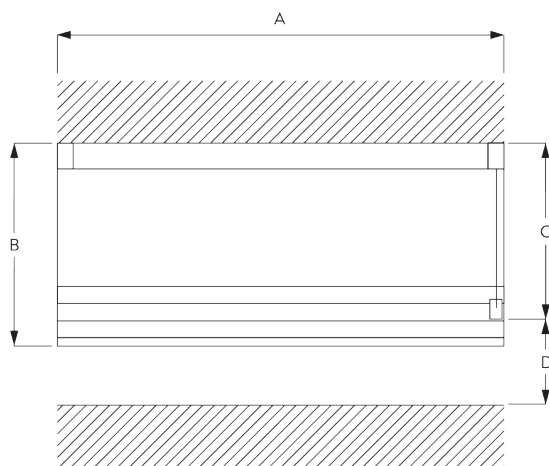
Rod steel ø 3 mm



SG 2137

Rod fiberglass ø 4 mm

C. HOW TO MEASURE



A: System width

B: System height

C: Chain height

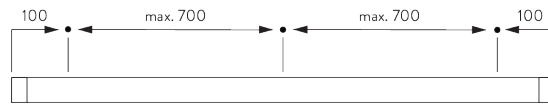
D: Safety retainer SG 10731 min. 150 cm above floor

FITTING

A. FITTING INFORMATION

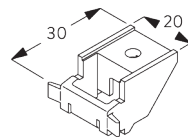
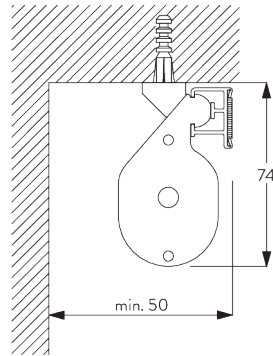
For detailed fitting information, visit the Silent Gliss website.

Fixing points



B. CEILING FITTING

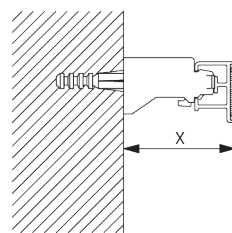
Bracket SG 3603



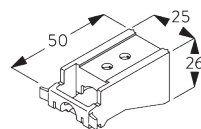
SG 3603
Bracket

C. WALL FITTING

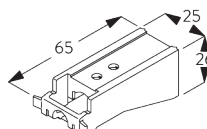
Bracket SG 3655, SG 3660



Bracket	X mm
SG 3655	58
SG 3660	73

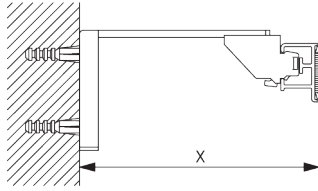


SG 3655
Bracket 50 mm

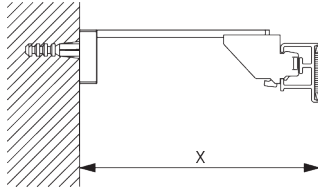


SG 3660
Bracket 65 mm

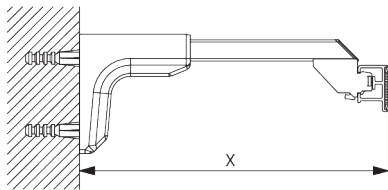
Smart Fix



Smart Fix SG 11200 - SG 11205 and bracket SG 3603:
Screw SG 10492 (M4x8) needed.

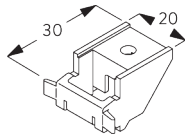


Square Smart Fix SG 11210 - SG 11215 and bracket SG 3603:
Screw SG 10492 (M4x8) needed.



Universal Smart Fix 11154-11156 and bracket SG 3603:
Screw SG 10277 (M4x12) needed.

Smart Fix	X mm
SG 11200 / SG 11210	80
SG 11201 / SG 11211	100
SG 11202 / SG 11212	120
SG 11203 / SG 11213	140
SG 11204 / SG 11214	170
SG 11205 / SG 11215	220
SG 11154	132-160
SG 11155	162-190
SG 11156	212-240



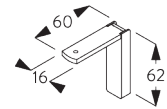
SG 3603
Bracket



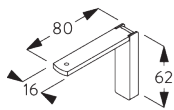
SG 10277
Pan head screw M4x12



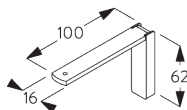
SG 10492
Pan head screw M4x8



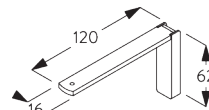
SG 11200
Smart Fix 60 mm



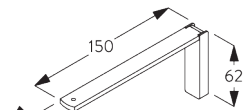
SG 11201
Smart Fix 80 mm



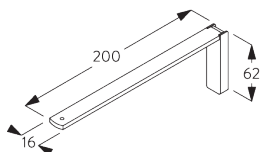
SG 11202
Smart Fix 100 mm



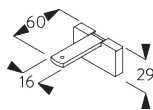
SG 11203
Smart Fix 120 mm



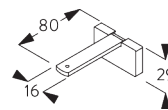
SG 11204
Smart Fix 150 mm



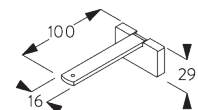
SG 11205
Smart Fix 200 mm



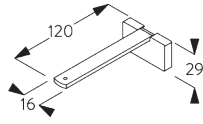
SG 11210
Square Smart Fix 60 mm



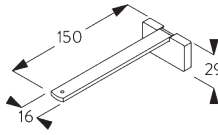
SG 11211
Square Smart Fix 80 mm



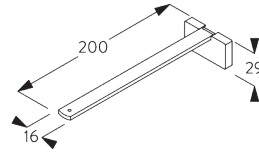
SG 11212
Square Smart Fix 100 mm



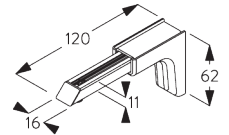
SG 11213
Square Smart Fix 120 mm



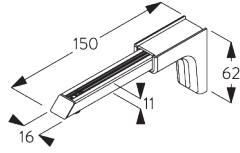
SG 11214
Square Smart Fix 150 mm



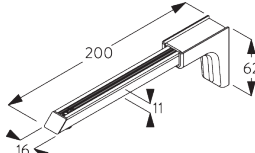
SG 11215
Square Smart Fix 200 mm



SG 11154
Universal Smart Fix 120 mm



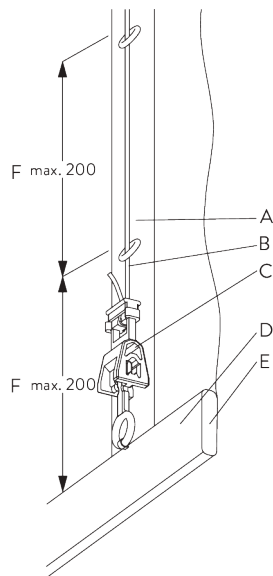
SG 11155
Universal Smart Fix 150 mm



SG 11156
Universal Smart Fix 200 mm

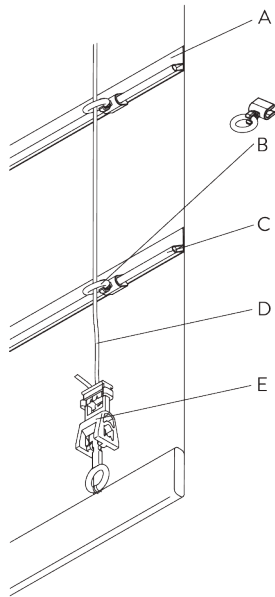
SYSTEM OPTIONS

A. FABRIC MAKE-UP



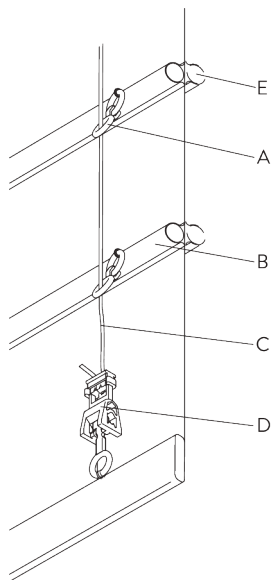
Type A (standard)

- A: Tape SG 2164 / SG 3074
- B: Tape SG 2163
- C: Child safety hook set SG 3164
- D: Hollow hem
- E: Bottom bar SG 2004
- F: Child safety: max. distance 200 mm



Type B (rod)

- A: Hollow hem
- B: Child safety eyelet hard fold SG 3069
- C: Rod SG 2135 / SG 2137
- D: Tape SG 2163
- E: Child safety hook set SG 3164







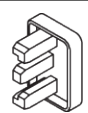
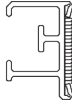
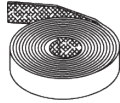
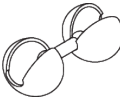
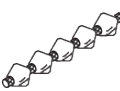
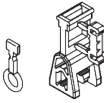
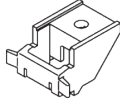
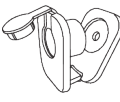


Type C (rod)

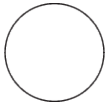
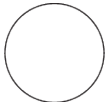

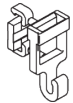

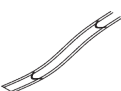
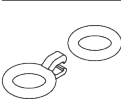

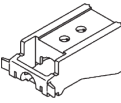
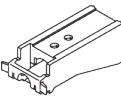

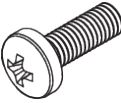
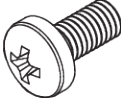
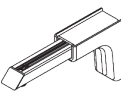
- A: Child safety eyelet set SG 3161
- B: Rod SG 2135 / SG 2137
- C: Tape SG 2163
- D: Child safety hook set SG 3164
- E: Option: Rod SG 2135 / SG 2137 can be installed to room side

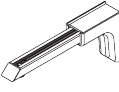
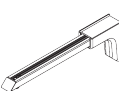
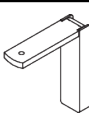
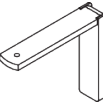
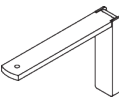
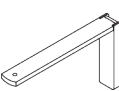
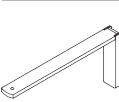
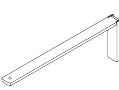
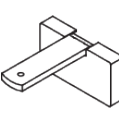
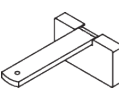
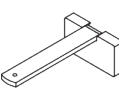
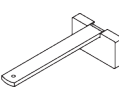
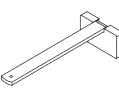
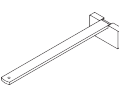
PARTS

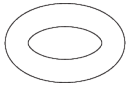
A. STANDARD PARTS

	SG 2004 Bottom bar 20x7 mm
	SG 2049 Chain drive
	SG 2059 Safety clip
	SG 2081 Take-up spool
	SG 2111 Shaft
	SG 2163 Tape
	SG 2179 End cover
	SG 2211 Velcro profile
	SG 2539 Tape
	SG 2865 Bead chain connector ø 4.6 mm
	SG 2872 Bead chain plastic ø 4.6 mm
	SG 3164 Child safety hook set
	SG 3603 Bracket
	SG 10731 Child safety retainer set

B. OPTIONAL PARTS

	SG 2135 Rod steel ø 3 mm
	SG 2137 Rod fiberglass ø 4 mm
	SG 2164 Ring tape
	SG 3055 Hook
	SG 3069 Child safety eyelet
	SG 3074 Loop tape
	SG 3161 Child safety eyelet set
	SG 3340 Cord/chain weight
	SG 3655 Bracket 50 mm
	SG 3660 Bracket 65 mm
	SG 4845 Bead chain metal ø 4.5 mm
	SG 10277 Pan head screw M4x12
	SG 10492 Pan head screw M4x8
	SG 11154 Universal Smart Fix 120 mm

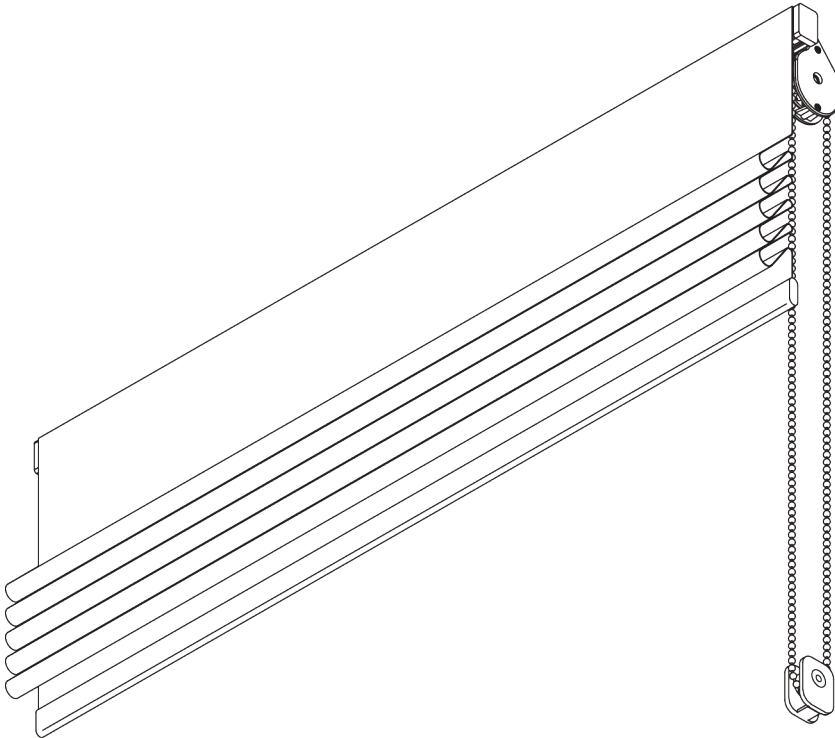
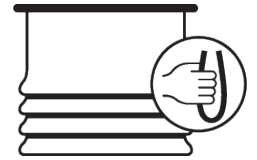
	SG 11155 Universal Smart Fix 150 mm
	SG 11156 Universal Smart Fix 200 mm
	SG 11200 Smart Fix 60 mm
	SG 11201 Smart Fix 80 mm
	SG 11202 Smart Fix 100 mm
	SG 11203 Smart Fix 120 mm
	SG 11204 Smart Fix 150 mm
	SG 11205 Smart Fix 200 mm
	SG 11210 Square Smart Fix 60 mm
	SG 11211 Square Smart Fix 80 mm
	SG 11212 Square Smart Fix 100 mm
	SG 11213 Square Smart Fix 120 mm
	SG 11214 Square Smart Fix 150 mm
	SG 11215 Square Smart Fix 200 mm



SG 11482

Ring

SG 2210



PRODUCT INFORMATION

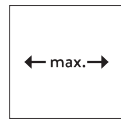
- **Operation:** chain
- **Range:** S - M
- **Fitting:** ceiling, wall
- **Colours:** white RAL 9016
- **Fabrics:** refer to Silent Gliss fabric collection

Features:

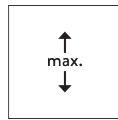
- 1-to-1 gear drive
- Bead chain
- Easy washing / changing of the fabric

SYSTEM SPECIFICATIONS

A. SYSTEM DIMENSIONS



3 m



3 m



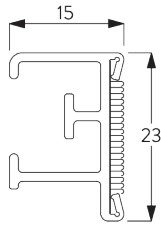
2 kg



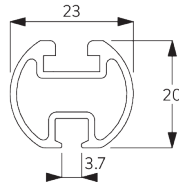
9 m²

B. PROFILE

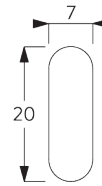
Profile information



SG 2211
Velcro profile

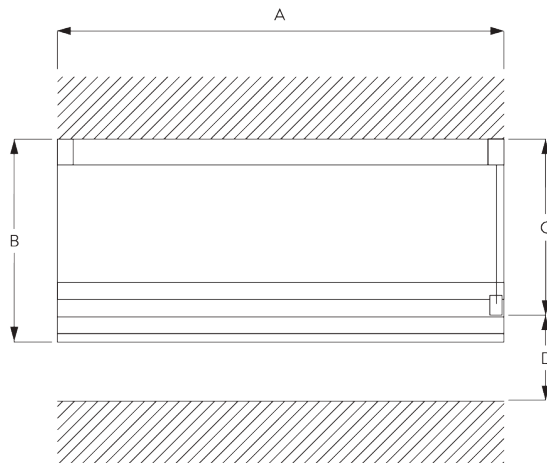


SG 1003p
Profile



SG 2004
Bottom bar 20x7 mm

C. HOW TO MEASURE



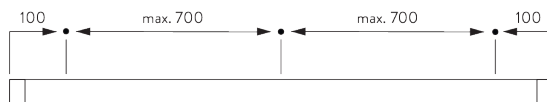
- A: System width
- B: System height
- C: Chain height
- D: Safety retainer SG 10731 min. 150 cm above floor

FITTING

A. FITTING INFORMATION

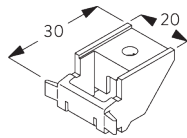
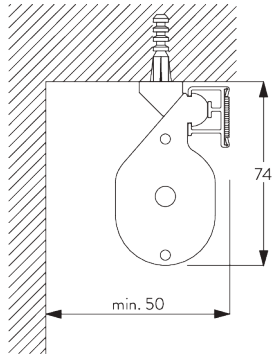
For detailed fitting information, visit the [Silent Gliss website](#).

Fixing points



B. CEILING FITTING

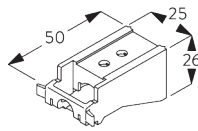
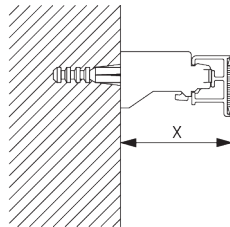
Bracket SG 3603



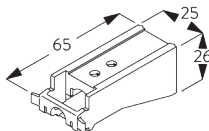
SG 3603
Bracket

C. WALL FITTING

Bracket SG 3655, SG 3660



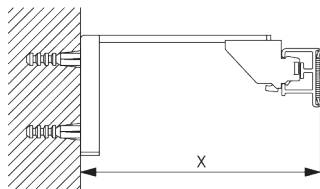
SG 3655
Bracket 50 mm



SG 3660
Bracket 65 mm

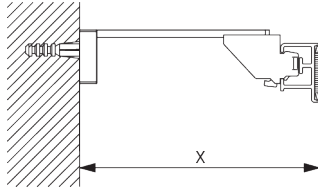
Bracket	X mm
SG 3655	58
SG 3660	73

Smart Fix



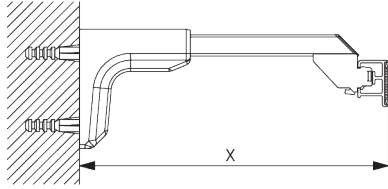
Smart Fix SG 11200 - SG 11205 and bracket SG 3603:
Screw SG 10492 (M4x8) needed.

Smart Fix	X mm
SG 11200 / SG 11210	80
SG 11201 / SG 11211	100
SG 11202 / SG 11212	120
SG 11203 / SG 11213	140
SG 11204 / SG 11214	170
SG 11205 / SG 11215	220
SG 11154	132-160
SG 11155	162-190
SG 11156	212-240



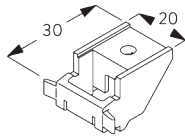
Square Smart Fix SG 11210 - SG 11215 and bracket SG 3603:

Screw SG 10492 (M4x8) needed.



Universal Smart Fix SG 11154 - SG 11156 and bracket SG 3603:

Screw SG 10277 (M4x12) needed.



SG 3603

Bracket



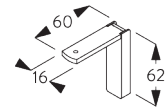
SG 10277

Pan head screw M4x12



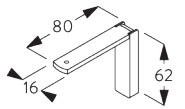
SG 10492

Pan head screw M4x8



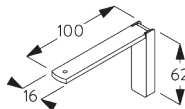
SG 11200

Smart Fix 60 mm



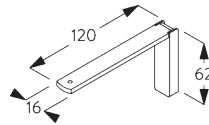
SG 11201

Smart Fix 80 mm



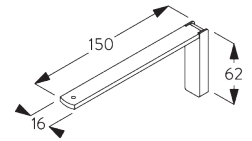
SG 11202

Smart Fix 100 mm



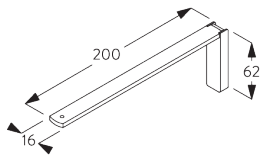
SG 11203

Smart Fix 120 mm



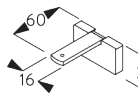
SG 11204

Smart Fix 150 mm



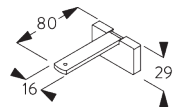
SG 11205

Smart Fix 200 mm



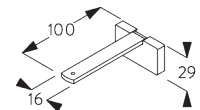
SG 11210

Square Smart Fix 60 mm



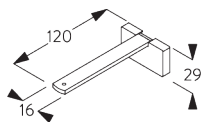
SG 11211

Square Smart Fix 80 mm



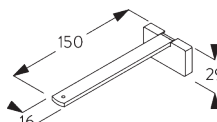
SG 11212

Square Smart Fix 100 mm



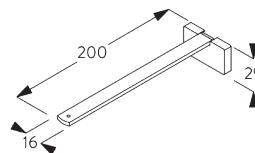
SG 11213

Square Smart Fix 120 mm



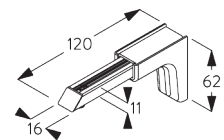
SG 11214

Square Smart Fix 150 mm



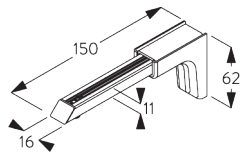
SG 11215

Square Smart Fix 200 mm

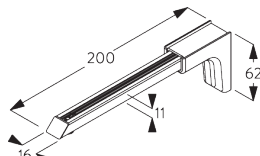


SG 11154

Universal Smart Fix 120 mm



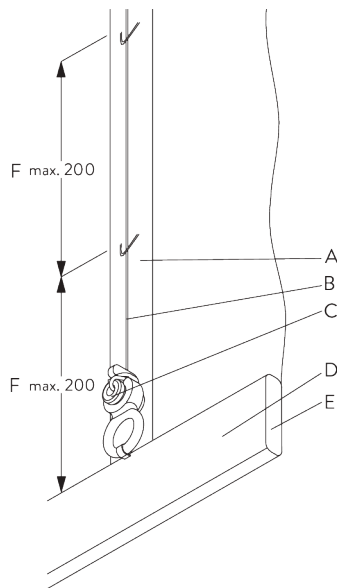
SG 11155
Universal Smart Fix 150 mm



SG 11156
Universal Smart Fix 200 mm

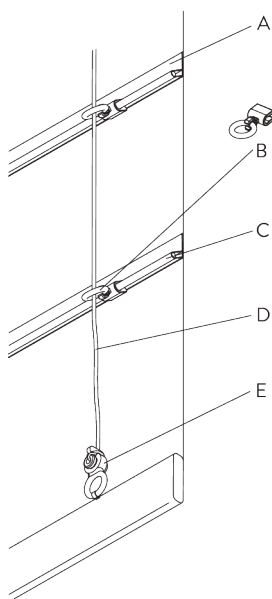
SYSTEM OPTIONS

A. FABRIC MAKE-UP



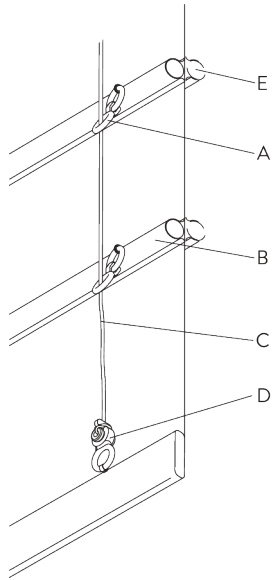
Type A (standard)

- A: Loop tape SG 3074
- B: Cord SG 2216
- C: Child safety fastener set SG 3167
- D: Hollow hem
- E: Bottom bar SG 2004
- F: Child safety: max. distance 200 mm!



Type B (rod)

- A: Hollow hem
- B: Child safety eyelet hard fold SG 3069
- C: Rod SG 2135
- D: Tape
- E: Child safety hook set SG 3167



Type C (rod)

A: Child safety eyelet set SG 3161

B: Rod SG 2135 / SG 2137








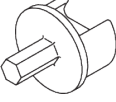
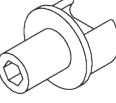




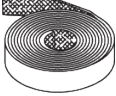
C: Tape

D: Child safety hook set SG 3167

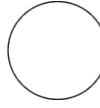
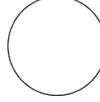
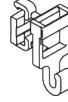

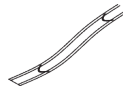
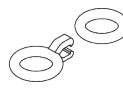

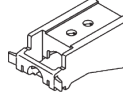
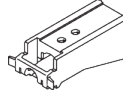
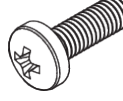
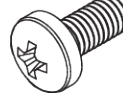
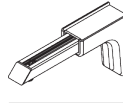
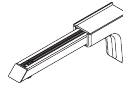
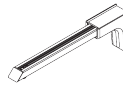
E: Option: rod SG 2135 / SG 2137 can be installed to room side

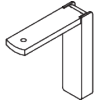
PARTS

A. STANDARD PARTS

	SG 1003p Profile
	SG 2004 Bottom bar 20x7 mm
	SG 2049 Chain drive
	SG 2101 Eyelet
	SG 2179 End cover
	SG 2201 Eyelet
	SG 2211 Velcro profile
	SG 2212 Tube adapter
	SG 2213 Tube adapter
	SG 2215 Eyelet
	SG 2216 Cord \varnothing 0.85 mm
	SG 2219 Eyelet
	SG 2227 Pin
	SG 2539 Tape

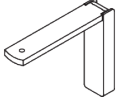
B. OPTIONAL PARTS

	SG 2135 Rod steel \varnothing 3 mm
	SG 2137 Rod fiberglass \varnothing 4 mm
	SG 3055 Hook
	SG 3069 Child safety eyelet
	SG 3074 Loop tape
	SG 3161 Child safety eyelet set
	SG 3340 Cord/chain weight
	SG 3655 Bracket 50 mm
	SG 3660 Bracket 65 mm
	SG 10277 Pan head screw M4x12
	SG 10492 Pan head screw M4x8
	SG 11154 Universal Smart Fix 120 mm
	SG 11155 Universal Smart Fix 150 mm
	SG 11156 Universal Smart Fix 200 mm



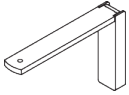
SG 11200

Smart Fix 60 mm



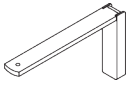
SG 11201

Smart Fix 80 mm



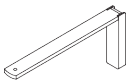
SG 11202

Smart Fix 100 mm



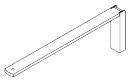
SG 11203

Smart Fix 120 mm



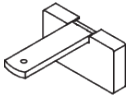
SG 11204

Smart Fix 150 mm



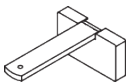
SG 11205

Smart Fix 200 mm



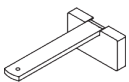
SG 11210

Square Smart Fix 60 mm



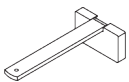
SG 11211

Square Smart Fix 80 mm



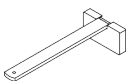
SG 11212

Square Smart Fix 100 mm



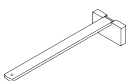
SG 11213

Square Smart Fix 120 mm



SG 11214

Square Smart Fix 150 mm



SG 11215

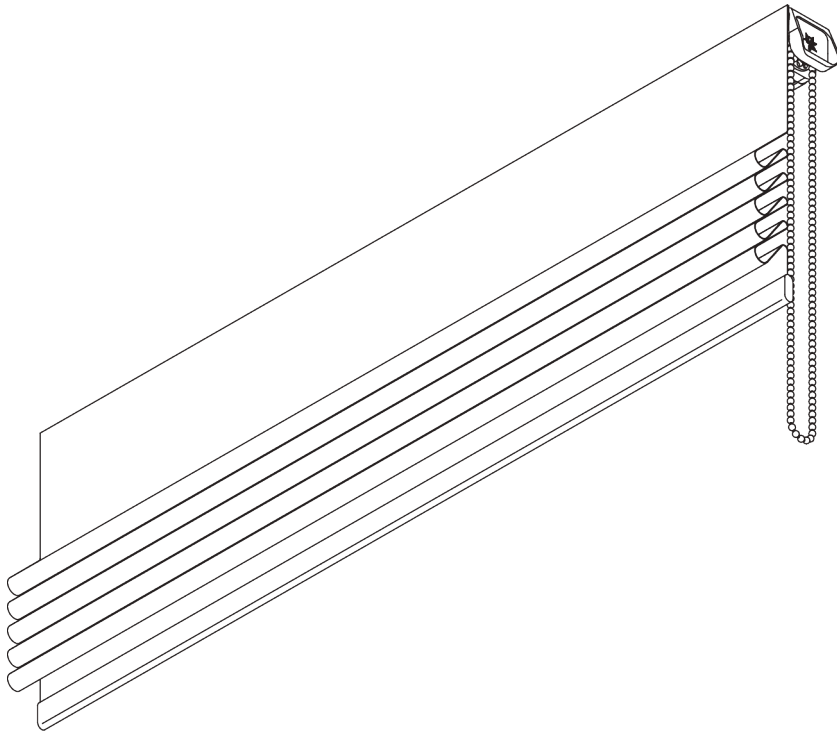
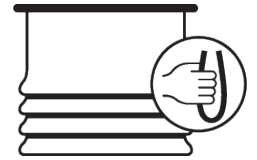
Square Smart Fix 200 mm



SG 11482

Ring

SG 2305



PRODUCT INFORMATION

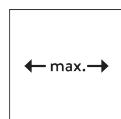
- **Operation:** chain
- **Range:** S - M
- **Fitting:** ceiling, wall
- **Colours:** white RAL 9016, black RAL 9005
- **Fabrics:** refer to Silent Gliss fabric collection

Features:

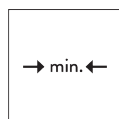
- 4-to-1 gear drive
- Stainless steel bead chain
- Enclosed headrail
- Integrated magnetic child safety end-set

SYSTEM SPECIFICATIONS

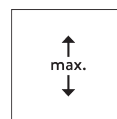
A. SYSTEM DIMENSIONS



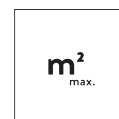
3 m



60 cm



3.4 m



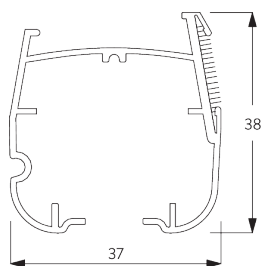
10 m²



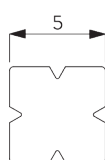
4 kg

B. PROFILE

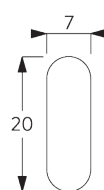
Profile information



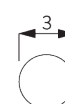
SG 2301
Velcro profile



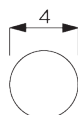
SG 2309
Shaft



SG 2004
Bottom bar 20x7 mm



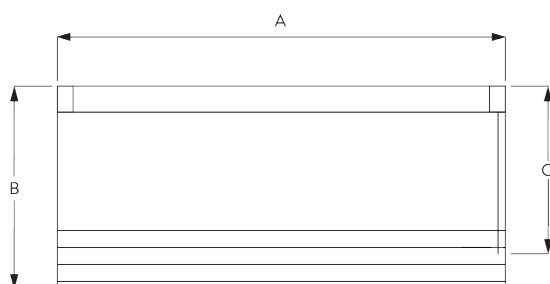
SG 2135
Rod steel ø 3 mm



SG 2137
Rod fiberglass ø 4 mm

C. HOW TO MEASURE

Breakaway child safety chain drive SG 2307



A: System width
B: System height
C: Chain height

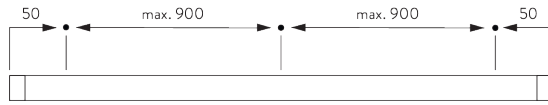


FITTING

A. FITTING INFORMATION

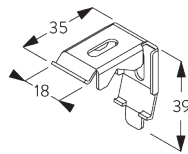
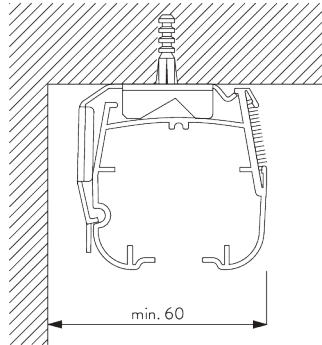
For detailed fitting information, visit the Silent Gliss website.

Fixing points



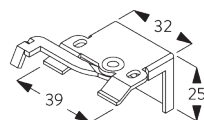
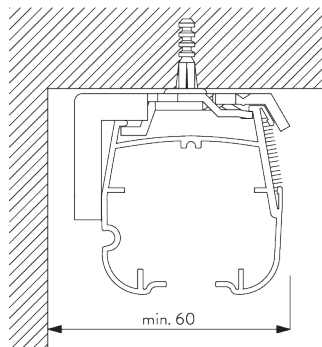
B. CEILING FITTING

Bracket SG 2302



SG 2302
Bracket

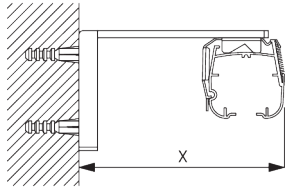
Bracket SG 2346



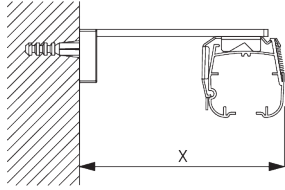
SG 2346
Bracket

C. WALL FITTING

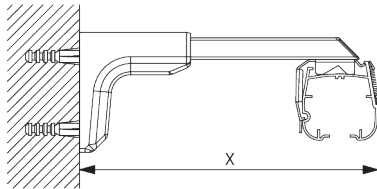
Smart Fix



Smart Fix SG 11200 - SG 11205 and bracket SG 2302:
Screw SG 10395 (M4x6) needed.

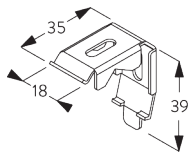


Square Smart Fix SG 11210 - SG 11215 and bracket SG 2302:
Screw SG 10395 (M4x6) needed.



Universal Smart Fix SG 11154 - SG 11156 and bracket SG 2302:
Screw SG 10492 (M4x8) needed.

Smart Fix	X mm
SG 11200 / SG 11210	71-79
SG 11201 / SG 11211	91-99
SG 11202 / SG 11212	111-119
SG 11203 / SG 11213	131-139
SG 11204 / SG 11214	161-169
SG 11205 / SG 11215	211-219
SG 11154	126-152
SG 11155	156-182
SG 11156	206-232



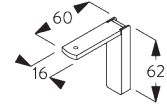
SG 2302
Bracket



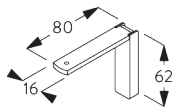
SG 10395
Pan head screw M4x6



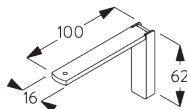
SG 10492
Pan head screw M4x8



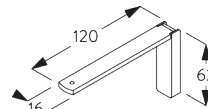
SG 11200
Smart Fix 60 mm



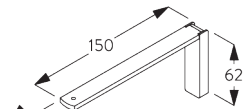
SG 11201
Smart Fix 80 mm



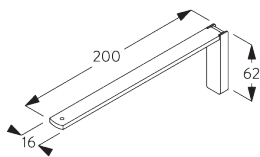
SG 11202
Smart Fix 100 mm



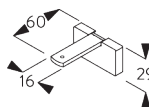
SG 11203
Smart Fix 120 mm



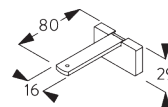
SG 11204
Smart Fix 150 mm



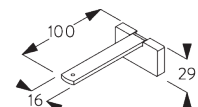
SG 11205
Smart Fix 200 mm



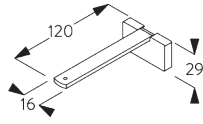
SG 11210
Square Smart Fix 60 mm



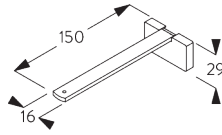
SG 11211
Square Smart Fix 80 mm



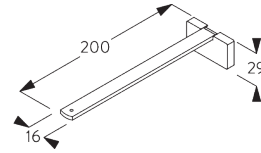
SG 11212
Square Smart Fix 100 mm



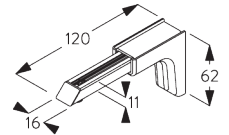
SG 11213
Square Smart Fix 120 mm



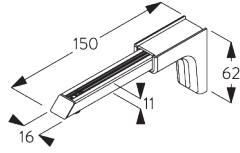
SG 11214
Square Smart Fix 150 mm



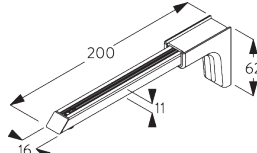
SG 11215
Square Smart Fix 200 mm



SG 11154
Universal Smart Fix 120 mm



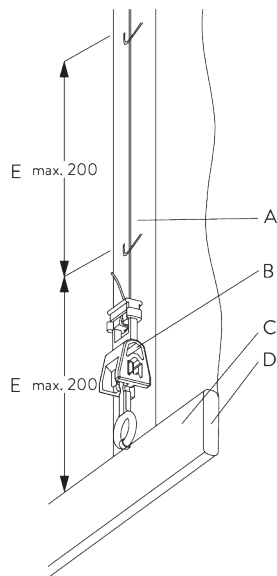
SG 11155
Universal Smart Fix 150 mm



SG 11156
Universal Smart Fix 200 mm

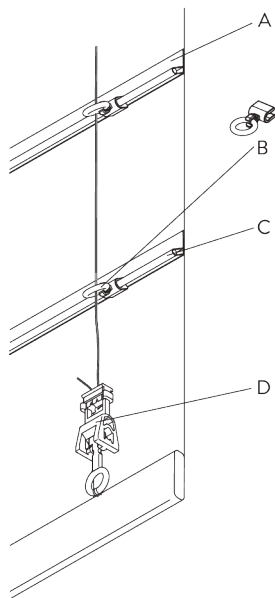
SYSTEM OPTIONS

A. FABRIC MAKE-UP



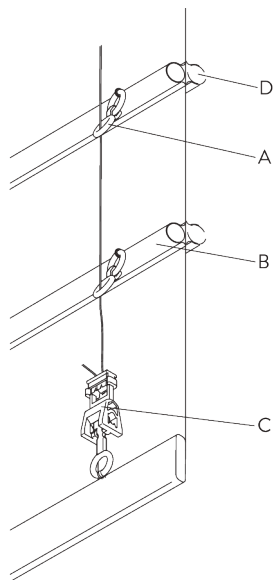
Type A (standard)

- A: Loop tape SG 3074
- B: Child safety hook set SG 3164
- C: Hollow hem
- D: Bottom bar SG 2004
- E: Child safety: max. distance 200 mm



Type B (rod)

- A: Hollow hem
- B: Child safety eyelet hard fold SG 3069
- C: Rod SG 2135
- D: Child safety hook set SG 3164


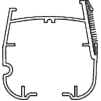
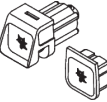
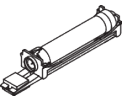
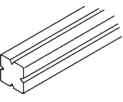

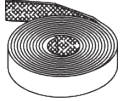
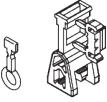


Type C (rod)

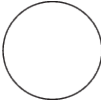
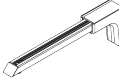
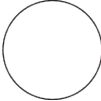
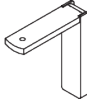
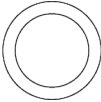
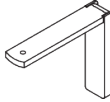
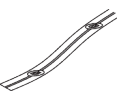
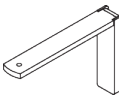

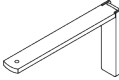
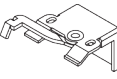
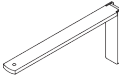
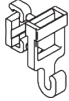
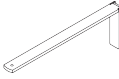

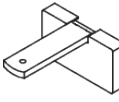

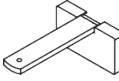

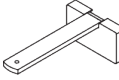

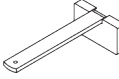
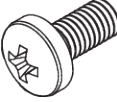
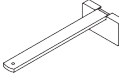
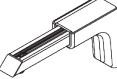
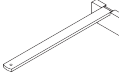
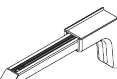

- A: Child safety eyelet set SG 3161
- B: Rod SG 2135 / SG 2137
- C: Child safety hook set SG 3164
- D: Option: rod SG 2135 / SG 2137 can be installed to room side

PARTS

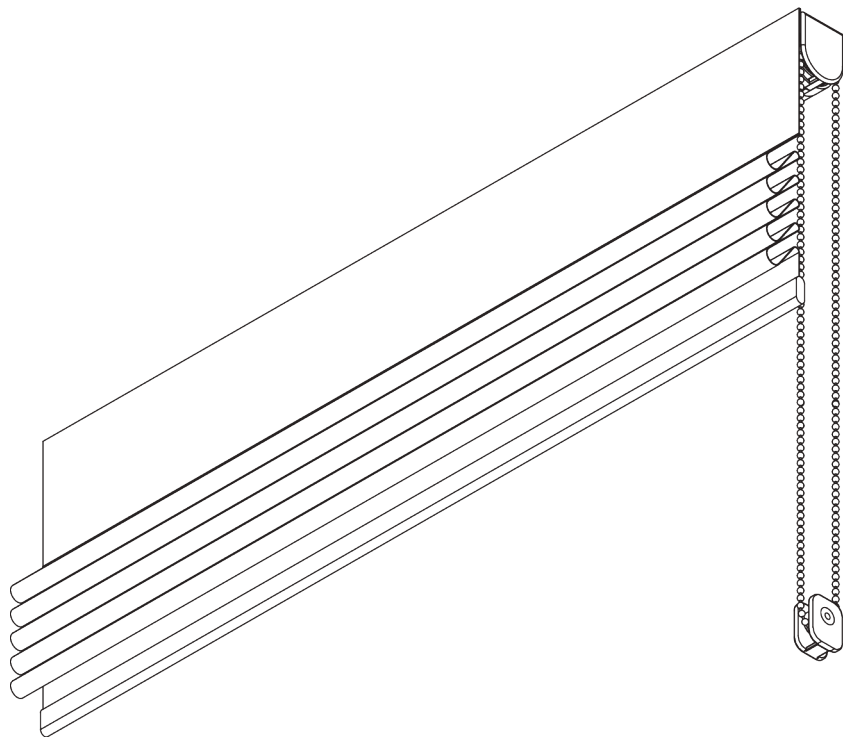
A. STANDARD PARTS

	SG 2004 Bottom bar 20x7 mm
	SG 2301 Velcro profile
	SG 2307 Child safety chain drive set 4:1
	SG 2308 Cord drum with lift cord
	SG 2309 Shaft
	SG 2311 Bead chain metal ø 4.5 mm
	SG 2539 Tape
	SG 3164 Child safety hook set

B. OPTIONAL PARTS

	SG 2135 Rod steel ø 3 mm		SG 11156 Universal Smart Fix 200 mm
	SG 2137 Rod fiberglass ø 4 mm		SG 11200 Smart Fix 60 mm
	SG 2144 Profile ø 8 mm		SG 11201 Smart Fix 80 mm
	SG 2164 Ring tape		SG 11202 Smart Fix 100 mm
	SG 2302 Bracket		SG 11203 Smart Fix 120 mm
	SG 2346 Bracket		SG 11204 Smart Fix 150 mm
	SG 3055 Hook		SG 11205 Smart Fix 200 mm
	SG 3069 Child safety eyelet		SG 11210 Square Smart Fix 60 mm
	SG 3074 Loop tape		SG 11211 Square Smart Fix 80 mm
	SG 3161 Child safety eyelet set		SG 11212 Square Smart Fix 100 mm
	SG 10395 Pan head screw M4x6		SG 11213 Square Smart Fix 120 mm
	SG 10492 Pan head screw M4x8		SG 11214 Square Smart Fix 150 mm
	SG 11154 Universal Smart Fix 120 mm		SG 11215 Square Smart Fix 200 mm
	SG 11155 Universal Smart Fix 150 mm		SG 11482 Ring

SG 2320



PRODUCT INFORMATION

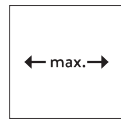
- **Operation:** chain
- **Range:** S - M
- **Fitting:** ceiling, wall
- **Colours:** white RAL 9016
- **Fabrics:** refer to Silent Gliss fabric collection

Features:

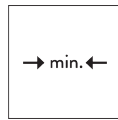
- 1-to-1 gear drive
- Stainless steel bead chain
- Enclosed headrail

SYSTEM SPECIFICATIONS

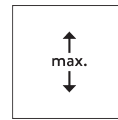
A. SYSTEM DIMENSIONS



3 m



60 cm



3 m



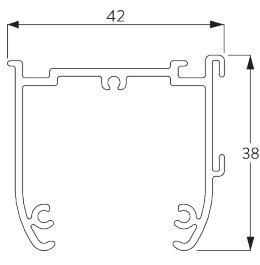
9 m²



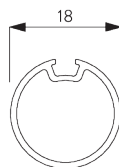
2.5 kg

B. PROFILE

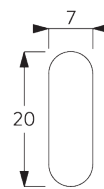
Profile information



SG 2321
Profile



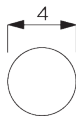
SG 8214
Profile ø 18 mm



SG 2004
Bottom bar 20x7 mm

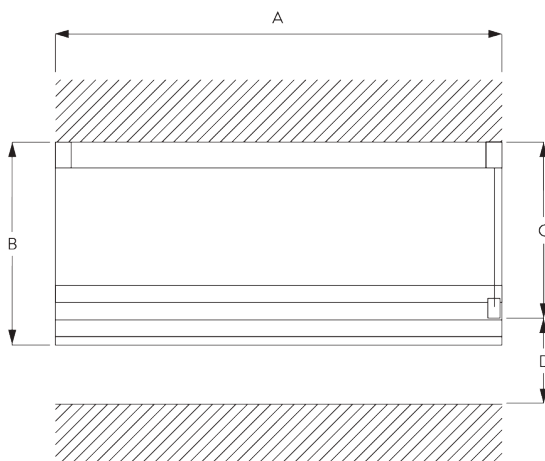


SG 2135
Rod steel ø 3 mm



SG 2137
Rod fiberglass ø 4 mm

C. HOW TO MEASURE



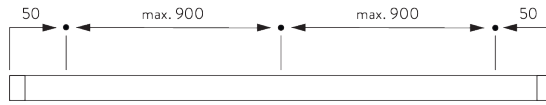
- A: System width
- B: System height
- C: Chain height
- D: Safety retainer SG 10731 min. 150 cm above floor

FITTING

A. FITTING INFORMATION

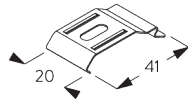
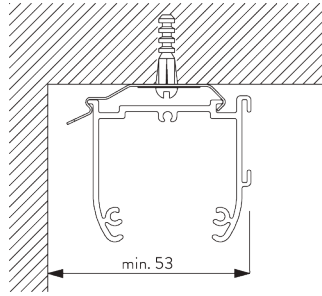
For detailed fitting information, visit the Silent Gliss website.

Fixing points



B. CEILING FITTING

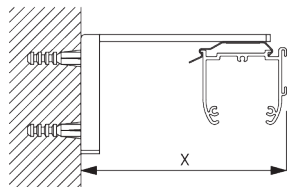
Bracket SG 2616



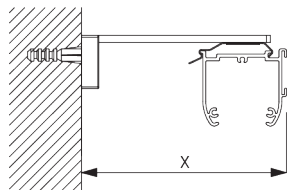
SG 2616
Bracket

C. WALL FITTING

Smart Fix

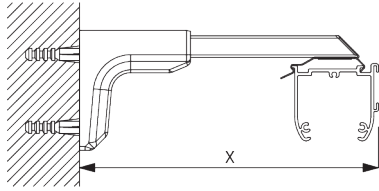


Smart Fix SG 11200 - SG 11205 and bracket SG 2616:
Screw SG 10395 (M4x6) needed.



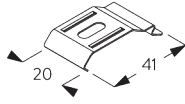
Square Smart Fix SG 11210 - SG 11215 and bracket SG 2616:
Screw SG 10395 (M4x6) needed.

Smart Fix	X mm
SG 11200 / SG 11210	70-76
SG 11201 / SG 11211	90-96
SG 11202 / SG 11212	110-116
SG 11203 / SG 11213	130-136
SG 11204 / SG 11214	160-166
SG 11205 / SG 11215	210-216
SG 11154	126-154
SG 11155	156-184
SG 11156	206-234



Universal Smart Fix SG 11154 - SG 11156 and bracket SG 2616:

Screw SG 10492 (M4x8) needed.



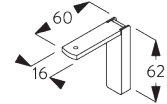
SG 2616
Bracket



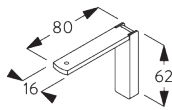
SG 10395
Pan head screw M4x6



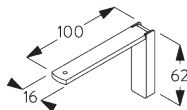
SG 10492
Pan head screw M4x8



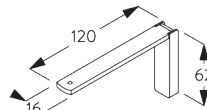
SG 11200
Smart Fix 60 mm



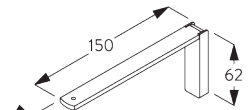
SG 11201
Smart Fix 80 mm



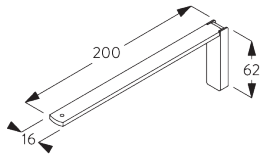
SG 11202
Smart Fix 100 mm



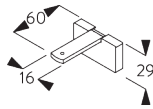
SG 11203
Smart Fix 120 mm



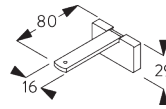
SG 11204
Smart Fix 150 mm



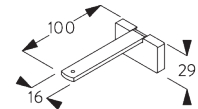
SG 11205
Smart Fix 200 mm



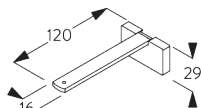
SG 11210
Square Smart Fix 60 mm



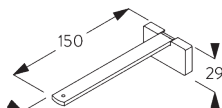
SG 11211
Square Smart Fix 80 mm



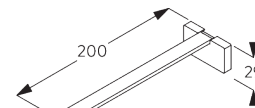
SG 11212
Square Smart Fix 100 mm



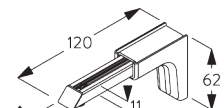
SG 11213
Square Smart Fix 120 mm



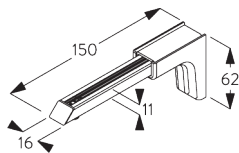
SG 11214
Square Smart Fix 150 mm



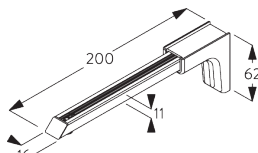
SG 11215
Square Smart Fix 200 mm



SG 11154
Universal Smart Fix 120 mm

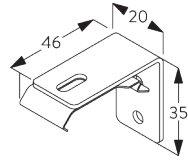
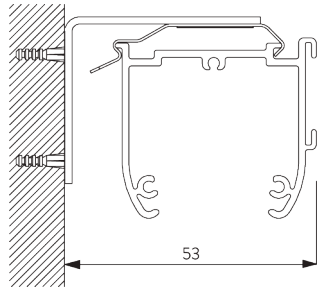


SG 11155
Universal Smart Fix 150 mm



SG 11156
Universal Smart Fix 200 mm

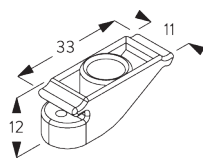
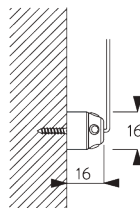
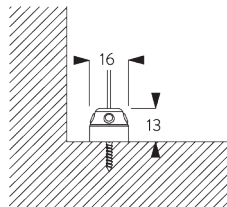
Bracket SG 2343



SG 2343

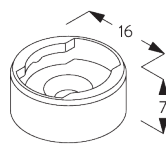
Bracket 46 mm

**D. FITTING WITH
SIDE GUIDE
OPTION**



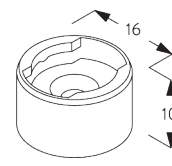
SG 2338

Side guide wire holder



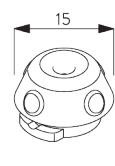
SG 8235

Side guide wire base short



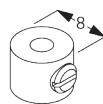
SG 8236

Side guide wire base long



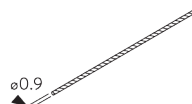
SG 8237

Side guide wire holder



SG 8249

Side guide device

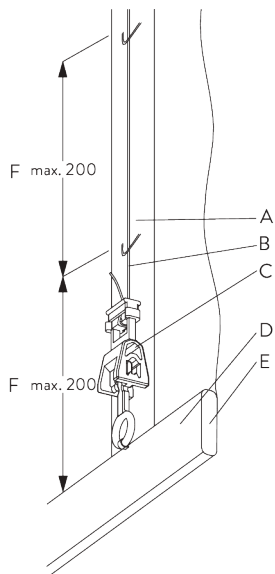


SG 10120

Side guide wire ø 0.9 mm

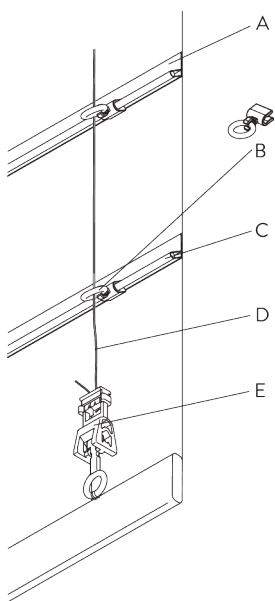
SYSTEM OPTIONS

A. FABRIC MAKE-UP



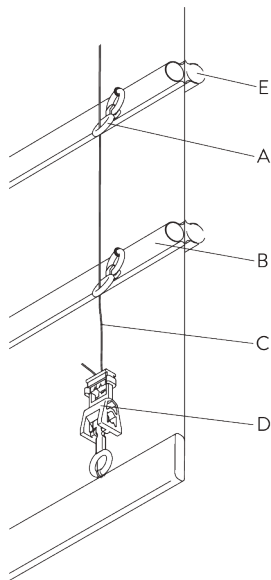
Type A (standard)

- A: Loop tape SG 3074
- B: Cord SG 2216
- C: Child safety hook set SG 3164
- D: Hollow hem
- E: Bottom bar SG 2004
- F: Child safety: max. distance 200 mm



Type B (rod)

- A: Hollow hem
- B: Child safety eyelet hard fold SG 3069
- C: Rod SG 2135
- D: Cord SG 2216
- E: Child safety hook set SG 3164



Type C (rod)

A: Child safety eyelet set SG 3161

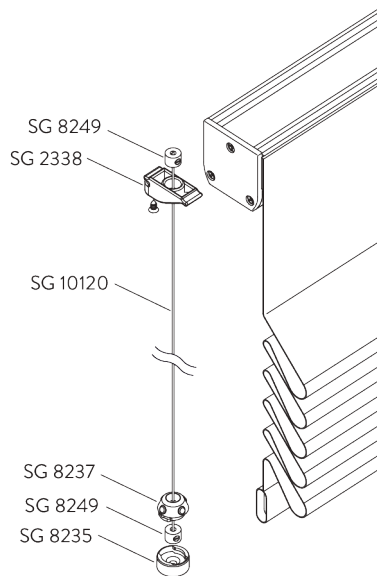
B: Rod SG 2135 / SG 2137

C: Cord SG 2216

D: Child safety hook set SG 3164

E: Option: rod SG 2135 / SG 2137 can be installed to room side

B. SIDE GUIDES



Additional parts:



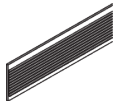
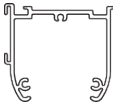


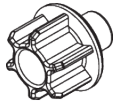
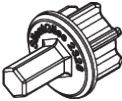
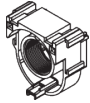
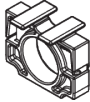
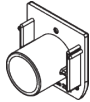


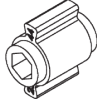
- 2x SG 2338 Side guide wire holder
- 2x SG 8235 Side guide wire base short
- 2x SG 8237 Side guide wire holder
- 4x SG 8249 Side guide device
- 2x SG 10120 Side guide wire \varnothing 0.9 mm

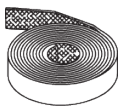

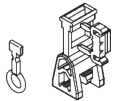


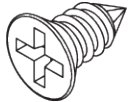
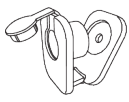
Note:

- Up to 15° from vertical

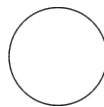
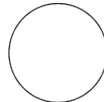

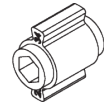
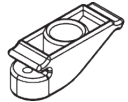
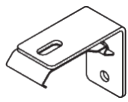
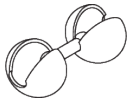
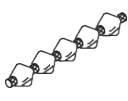
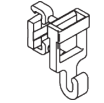

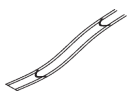
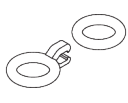


PARTS



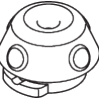
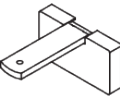
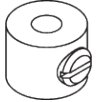
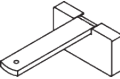

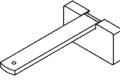

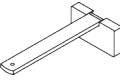

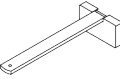
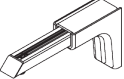
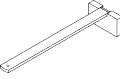
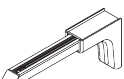

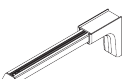
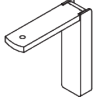
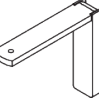
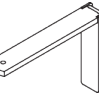
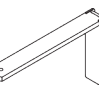
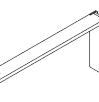
A. STANDARD PARTS

	SG 2004 Bottom bar 20x7 mm
	SG 2216 Cord \varnothing 0.85 mm
	SG 2221 Velcro tape
	SG 2321 Profile
	SG 2322 Pin
	SG 2323 Shell
	SG 2327 Tube adapter
	SG 2328 Tube adapter
	SG 2335 Drive case 1:1
	SG 2336 Support
	SG 2337 End cover
	SG 2339 Cover
	SG 2341 Chain wheel for steel bead chain
	SG 2344 Sleeve for metal bead chain

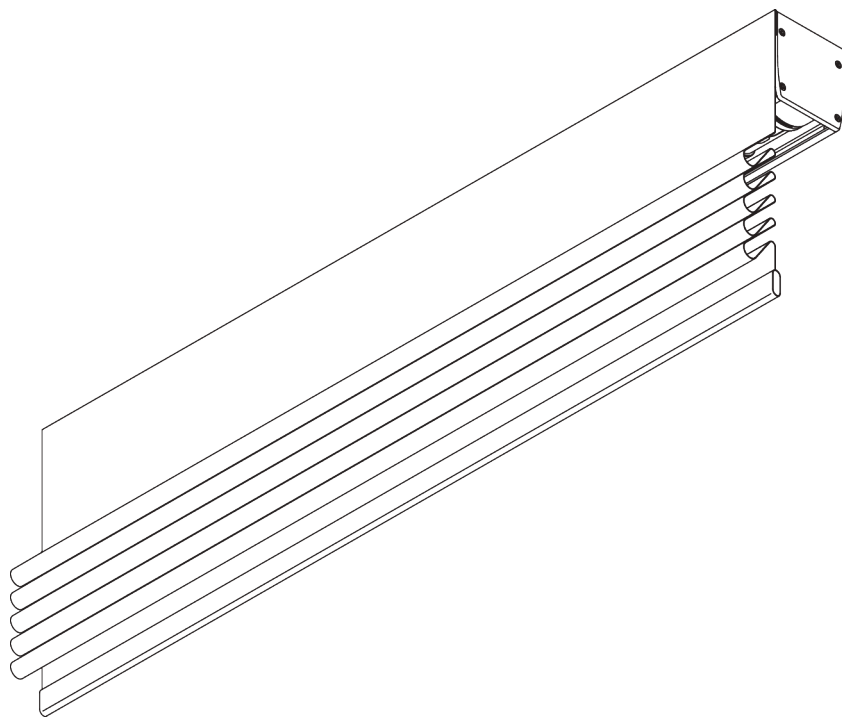
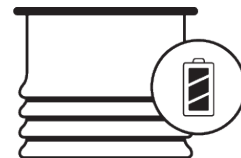
	SG 2539 Tape
	SG 2616 Bracket
	SG 3164 Child safety hook set
	SG 4845 Bead chain metal \varnothing 4.5 mm
	SG 8214 Profile \varnothing 18 mm
	SG 10139 Countersunk screw 2.9x6.5
	SG 10731 Child safety retainer set

B. OPTIONAL PARTS

	SG 2135 Rod steel \varnothing 3 mm
	SG 2137 Rod fiberglass \varnothing 4 mm
	SG 2333 Chain wheel for plastic bead chain
	SG 2334 Sleeve for plastic bead chain
	SG 2338 Side guide wire holder
	SG 2343 Bracket 46 mm
	SG 2865 Bead chain connector \varnothing 4.6 mm
	SG 2872 Bead chain plastic \varnothing 4.6 mm
	SG 3055 Hook
	SG 3069 Child safety eyelet
	SG 3074 Loop tape
	SG 3161 Child safety eyelet set
	SG 3340 Cord/chain weight
	SG 8235 Side guide wire base short

	SG 8236 Side guide wire base long		SG 11205 Smart Fix 200 mm
	SG 8237 Side guide wire holder		SG 11210 Square Smart Fix 60 mm
	SG 8249 Side guide device		SG 11211 Square Smart Fix 80 mm
	SG 10120 Side guide wire ø 0.9 mm		SG 11212 Square Smart Fix 100 mm
	SG 10395 Pan head screw M4x6		SG 11213 Square Smart Fix 120 mm
	SG 10492 Pan head screw M4x8		SG 11214 Square Smart Fix 150 mm
	SG 11154 Universal Smart Fix 120 mm		SG 11215 Square Smart Fix 200 mm
	SG 11155 Universal Smart Fix 150 mm		SG 11482 Ring
	SG 11156 Universal Smart Fix 200 mm		
	SG 11200 Smart Fix 60 mm		
	SG 11201 Smart Fix 80 mm		
	SG 11202 Smart Fix 100 mm		
	SG 11203 Smart Fix 120 mm		
	SG 11204 Smart Fix 150 mm		

SG 2345



PRODUCT INFORMATION

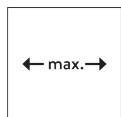
- **Operation:** motorised (battery operated)
- **Range:** S - M
- **Fitting:** ceiling, wall
- **Colours:** white RAL 9016
- **Fabrics:** refer to Silent Gliss fabric collection

Features:

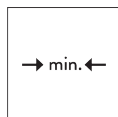
- Various control options
- Easy exchange of batteries
- Enclosed headrail

SYSTEM SPECIFICATIONS

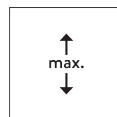
A. SYSTEM DIMENSIONS



6 m



60 cm



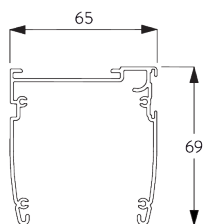
6 m



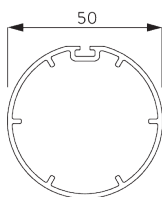
2.5 kg

B. PROFILE

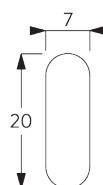
Profile information



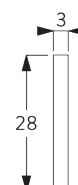
SG 2351
Profile



SG 2352
Profile ø 50 mm



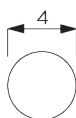
SG 2004
Bottom bar 20x7 mm



SG 2006
Bottom bar 28x3 mm

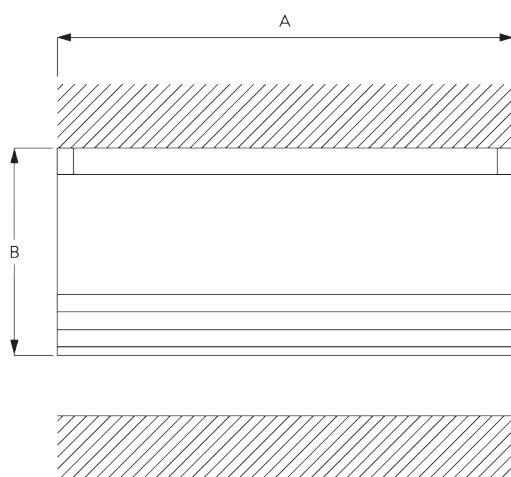


SG 2135
Rod steel ø 3 mm



SG 2137
Rod fiberglass ø 4 mm

C. HOW TO MEASURE



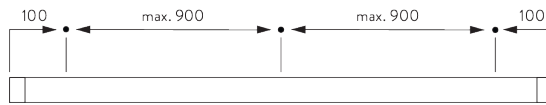
A: System width
B: System height

FITTING

A. FITTING INFORMATION

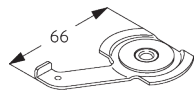
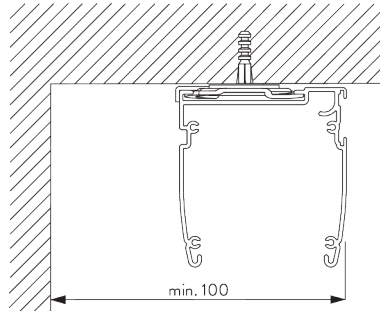
For detailed fitting information, visit the *Silent Gliss* website.

Fixing points



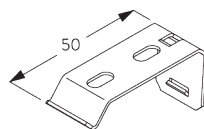
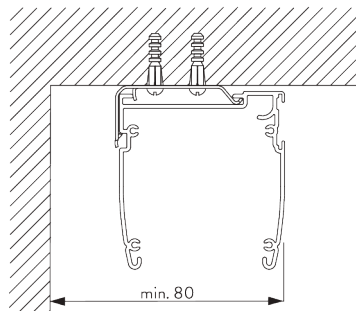
B. CEILING FITTING

Clamp SG 3003



SG 3003
Clamp

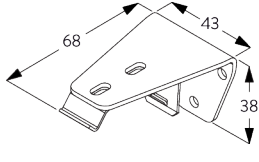
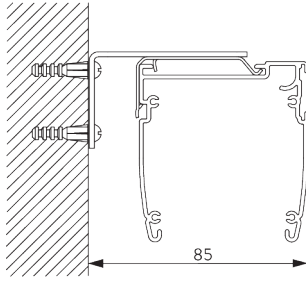
Bracket SG 2521



SG 2521
Bracket

C. WALL FITTING

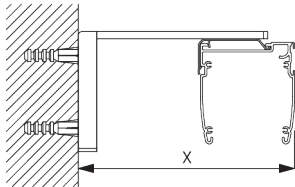
Bracket SG 2363



SG 2363

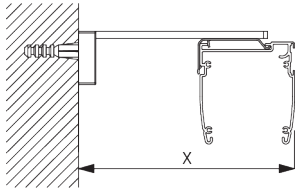
Bracket 68 mm

Smart Fix



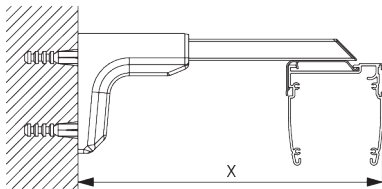
Smart Fix SG 11200 - SG 11204 and bracket SG 2521:

Screw SG 10395 (M4x6) needed.



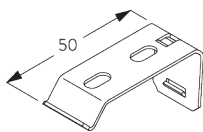
Square Smart Fix SG 11210 - SG 11214 and bracket SG 2521:

Screw SG 10395 (M4x6) needed.



Universal Smart Fix SG 11154 - SG 11156 and bracket SG 2521:

Screw SG 10492 (M4x8) needed.



SG 2521

Bracket



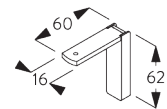
SG 10395

Pan head screw M4x6



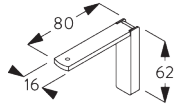
SG 10492

Pan head screw M4x8

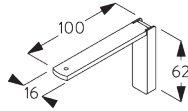


SG 11200

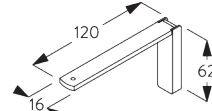
Smart Fix 60 mm



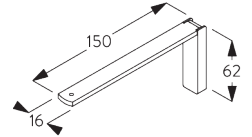
SG 11201
Smart Fix 80 mm



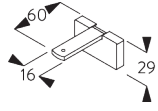
SG 11202
Smart Fix 100 mm



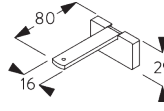
SG 11203
Smart Fix 120 mm



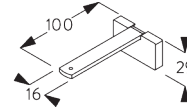
SG 11204
Smart Fix 150 mm



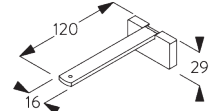
SG 11210
Square Smart Fix 60 mm



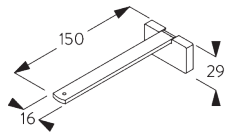
SG 11211
Square Smart Fix 80 mm



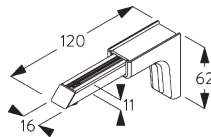
SG 11212
Square Smart Fix 100 mm



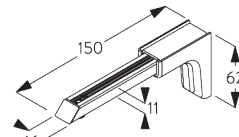
SG 11213
Square Smart Fix 120 mm



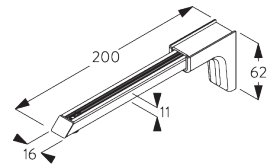
SG 11214
Square Smart Fix 150 mm



SG 11154
Universal Smart Fix 120 mm



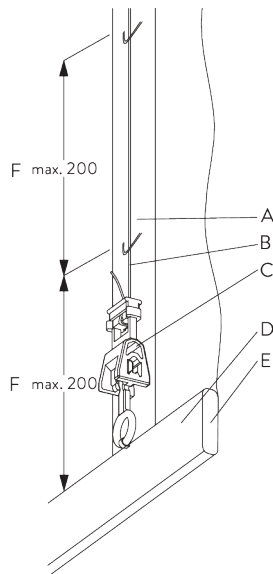
SG 11155
Universal Smart Fix 150 mm



SG 11156
Universal Smart Fix 200 mm

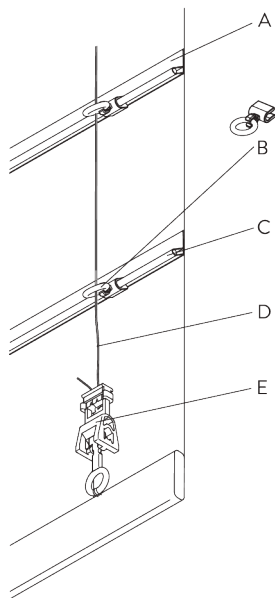
SYSTEM OPTIONS

A. FABRIC MAKE-UP



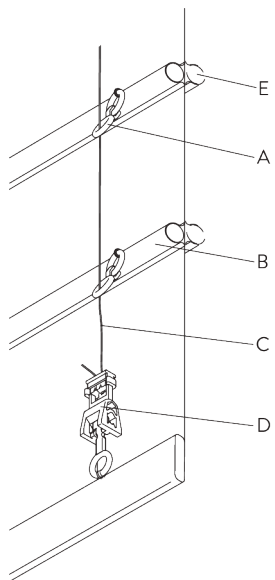
Type A (Standard)

- A: Loop tape SG 3074
- B: Cord SG 2216
- C: Child safety hook set SG 3164
- D: Hollow hem
- E: Bottom bar SG 2004
- F: Child safety: max. distance 200 mm



Type B

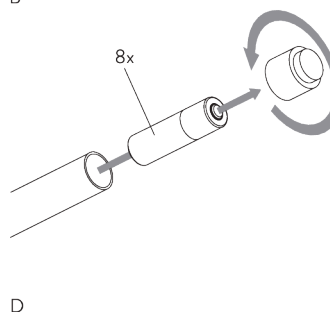
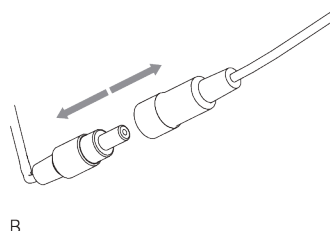
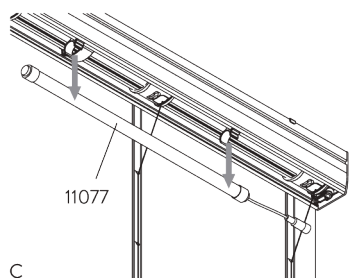
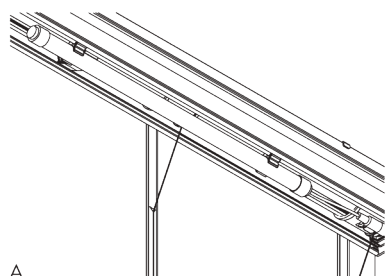
- A: Hollow hem
- B: Child safety eyelet hard fold SG 3069
- C: Rod SG 2135
- D: Cord SG 2216
- E: Child safety hook set SG 3164



Type C

- A: Child safety eyelet set SG 3161
- B: Tube SG 2135 / SG 2137
- C: Cord SG 2216
- D: Child safety hook set SG 3164
- E: Option: tube SG 2135 / SG 2137 can be installed to room side

B. BATTERY EXCHANGE



MOTOR & CONTROLS

A. MOTOR FEATURES

Motor	SG 11076
-------	----------

Motor Features

Soft start / stop	●
Built-in receiver	●
Electronic end-stop	●
Electronic revolution counter (unlimited revolution)	●
IP class	IP 44

Control Features

SG Control A	●
--------------	---

B. MOTOR SPECIFICATIONS

Motor	Min. system width	Voltage	Current	Speed	Frequency receiver
SG 11076	60 cm	12 V DC	0.55 A	30 rpm	433 MHz

C. OPERATION METHODS

See catalogue "controls" for details.



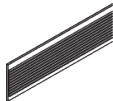
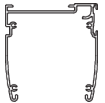
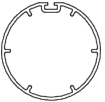
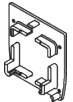
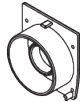
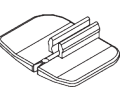

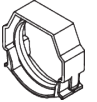
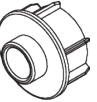

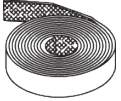
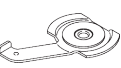
SG Control A

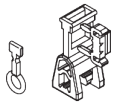
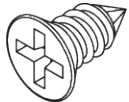
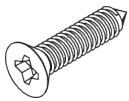

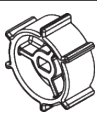


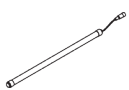

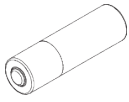
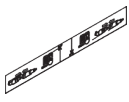


Various radio hand-held and wall transmitters available.


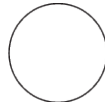
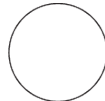


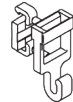

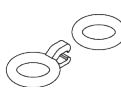

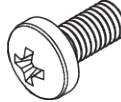



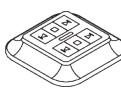
PARTS

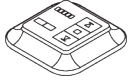
A. STANDARD PARTS

	SG 2004 Bottom bar 20x7 mm
	SG 2216 Cord ø 0.85 mm
	SG 2221 Velcro tape
	SG 2351 Profile
	SG 2352 Profile ø 50 mm
	SG 2353 End cover
	SG 2354 End cover
	SG 2357 Pin
	SG 2358 Shell
	SG 2359 Support
	SG 2361 Tube adapter
	SG 2368 Motor plate
	SG 2539 Tape
	SG 3003 Clamp

	SG 3164 Child safety hook set
	SG 10139 Countersunk screw 2.9x6.5
	SG 10467 Countersunk head screw 2.9x13
	SG 10946 Radio hand held 1 channel
	SG 11071 Motor drive
	SG 11074 Tube adapter
	SG 11076 Motor 12V DC, 1.2/30
	SG 11077 Battery box
	SG 11085 Battery box holder
	SG 11099 AA Energizer Ultimate lithium batteries
	SG 11103 Warning sticker

B. OPTIONAL PARTS

	SG 2006 Bottom bar 28x3 mm
	SG 2135 Rod steel ø 3 mm
	SG 2137 Rod fiberglass ø 4 mm
	SG 2363 Bracket 68 mm
	SG 2521 Bracket
	SG 3055 Hook
	SG 3074 Loop tape
	SG 3161 Child safety eyelet set
	SG 10395 Pan head screw M4x6
	SG 10492 Pan head screw M4x8
	SG 10947 Radio hand held 2+1 channel
	SG 10948 Radio hand held 6+1 channel
	SG 10949 Radio wall transmitter 1 channel
	SG 10950 Radio wall transmitter 2 channel



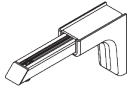
SG 10951

Radio wall transmitter 5+1 channel



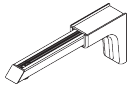
SG 11482

Ring



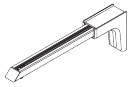
SG 11154

Universal Smart Fix 120 mm



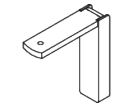
SG 11155

Universal Smart Fix 150 mm



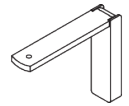
SG 11156

Universal Smart Fix 200 mm



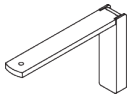
SG 11200

Smart Fix 60 mm



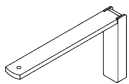
SG 11201

Smart Fix 80 mm



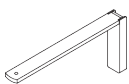
SG 11202

Smart Fix 100 mm



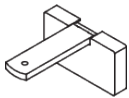
SG 11203

Smart Fix 120 mm



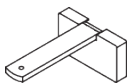
SG 11204

Smart Fix 150 mm



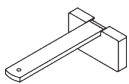
SG 11210

Square Smart Fix 60 mm



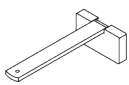
SG 11211

Square Smart Fix 80 mm



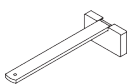
SG 11212

Square Smart Fix 100 mm



SG 11213

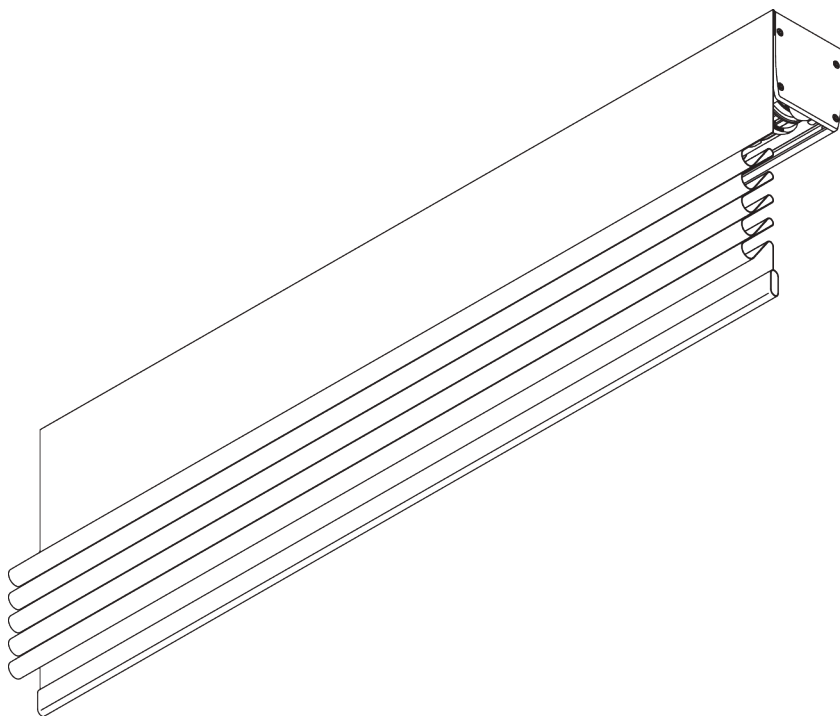
Square Smart Fix 120 mm



SG 11214

Square Smart Fix 150 mm

SG 2350



PRODUCT INFORMATION

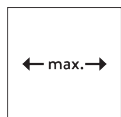
- **Operation:** motorised
- **Range:** S - L
- **Fitting:** ceiling, wall
- **Colours:** white RAL 9016
- **Fabrics:** refer to Silent Gliss fabric collection

Features:

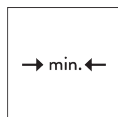
- Quiet and fast motors
- Soft stop
- Various control options
- Enclosed headrail

SYSTEM SPECIFICATIONS

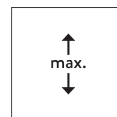
A. SYSTEM DIMENSIONS



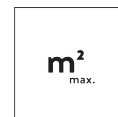
6 m



60 cm



6 m



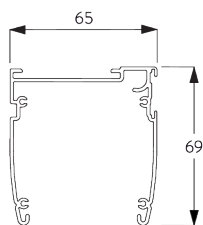
36 m²



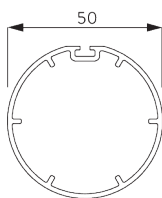
15 kg

B. PROFILE

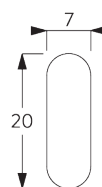
Profile information



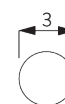
SG 2351
Profile



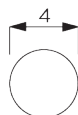
SG 2352
Profile ø 50 mm



SG 2004
Bottom bar 20x7 mm

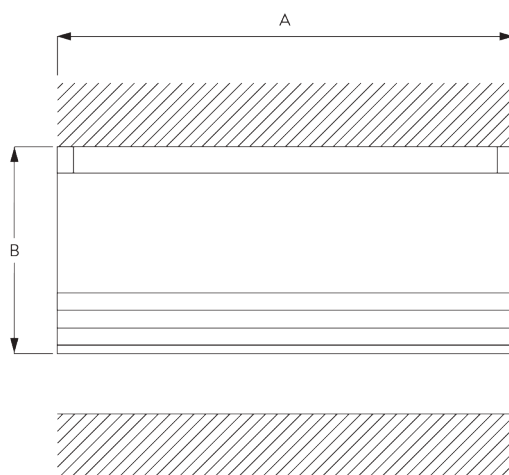


SG 2135
Rod steel ø 3 mm



SG 2137
Rod fiberglass ø 4 mm

C. HOW TO MEASURE



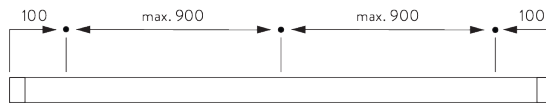
A: System width
B: System height

FITTING

A. FITTING INFORMATION

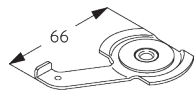
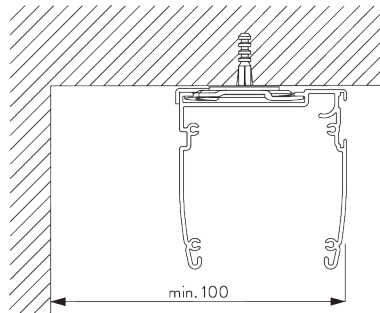
For detailed fitting information, visit the *Silent Gliss* website.

Fixing points



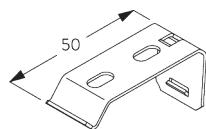
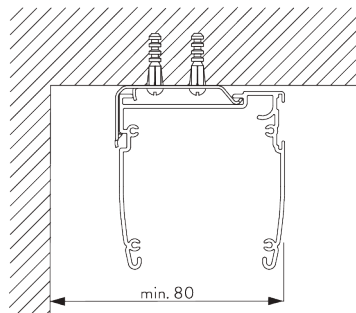
B. CEILING FITTING

Clamp SG 3003



SG 3003
Clamp

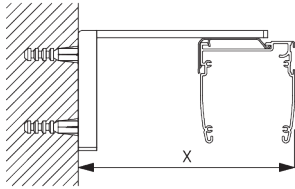
Bracket SG 2521



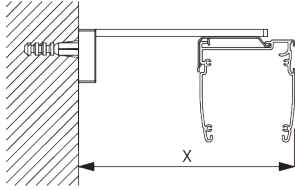
SG 2521
Bracket

C. WALL FITTING

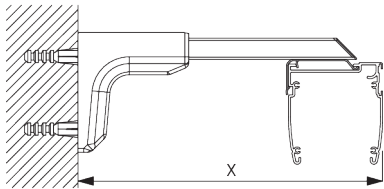
Smart Fix



Smart Fix SG 11200 - SG 11204 and bracket SG 2521:
Screw SG 10395 (M4x6) needed.

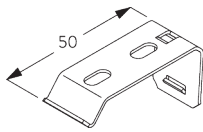


Square Smart Fix SG 11210 - SG 11214 and bracket SG 2521:
Screw SG 10395 (M4x6) needed.



Universal Smart Fix SG 11154 - SG 11156 and bracket SG 2521:
Screw SG 10492 (M4x8) needed.

Smart Fix	X mm
SG 11200 / SG 11210	80-84
SG 11201 / SG 11211	100-104
SG 11202 / SG 11212	120-124
SG 11203 / SG 11213	140-144
SG 11204 / SG 11214	170-174
SG 11154	134-162
SG 11155	164-192
SG 11156	214-242



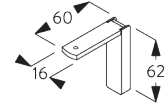
SG 2521
Bracket



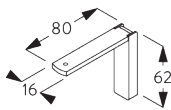
SG 10395
Pan head screw M4x6



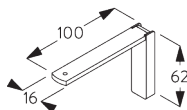
SG 10492
Pan head screw M4x8



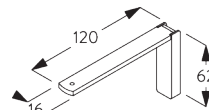
SG 11200
Smart Fix 60 mm



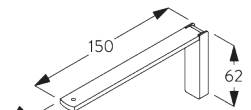
SG 11201
Smart Fix 80 mm



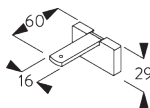
SG 11202
Smart Fix 100 mm



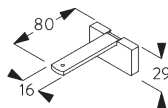
SG 11203
Smart Fix 120 mm



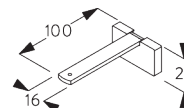
SG 11204
Smart Fix 150 mm



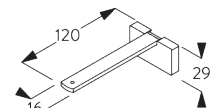
SG 11210
Square Smart Fix 60 mm



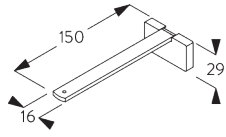
SG 11211
Square Smart Fix 80 mm



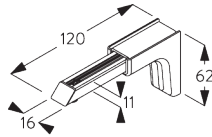
SG 11212
Square Smart Fix 100 mm



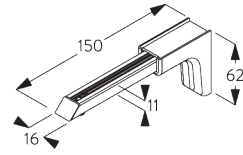
SG 11213
Square Smart Fix 120 mm



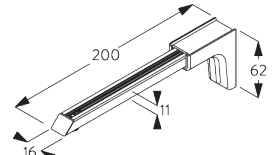
SG 11214
Square Smart Fix 150 mm



SG 11154
Universal Smart Fix 120 mm

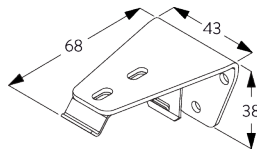
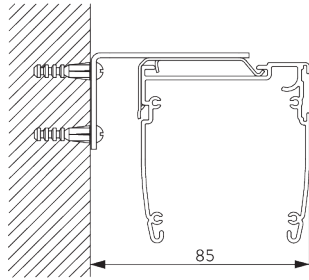


SG 11155
Universal Smart Fix 150 mm



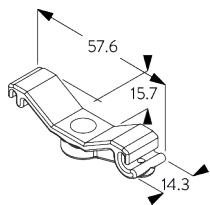
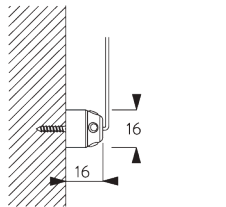
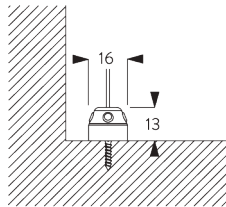
SG 11156
Universal Smart Fix 200 mm

Bracket SG 2363

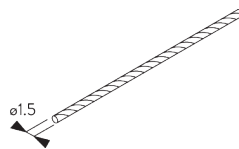


SG 2363
Bracket 68 mm

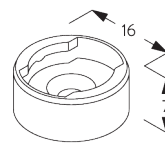
D. FITTING WITH SIDE GUIDE OPTION



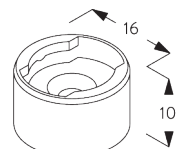
SG 2362
Side guide wire holder



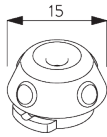
SG 4948
Side guide wire ϕ 1.5 mm



SG 8235
Side guide wire base short

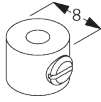


SG 8236
Side guide wire base long



SG 8237

Side guide wire holder

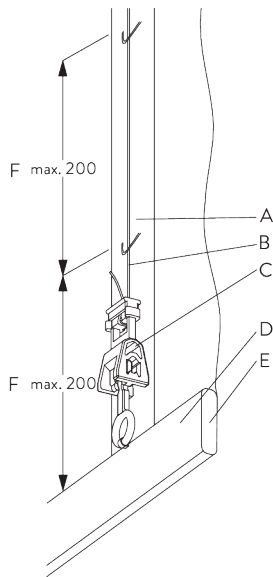


SG 8249

Side guide device

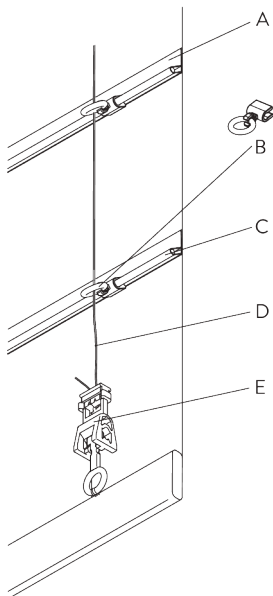
SYSTEM OPTIONS

A. FABRIC MAKE-UP



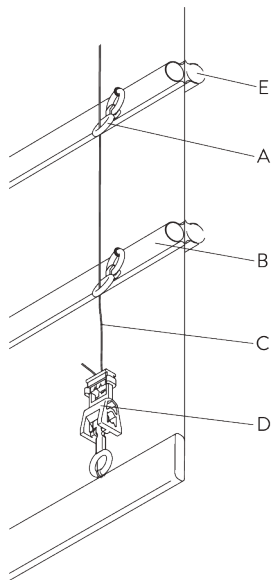
Type A (standard)

- A: Loop tape SG 3074
- B: Cord SG 2216
- C: Child safety hook set SG 3164
- D: Hollow hem
- E: Bottom bar SG 2004
- F: Child safety: max. distance 200 mm



Type B (rod)

- A: Hollow hem
- B: Child safety eyelet hard fold SG 3069
- C: Rod SG 2135
- D: Cord SG 2216
- E: Child safety hook set SG 3164



Type C (rod)

A: Child safety eyelet set SG 3161

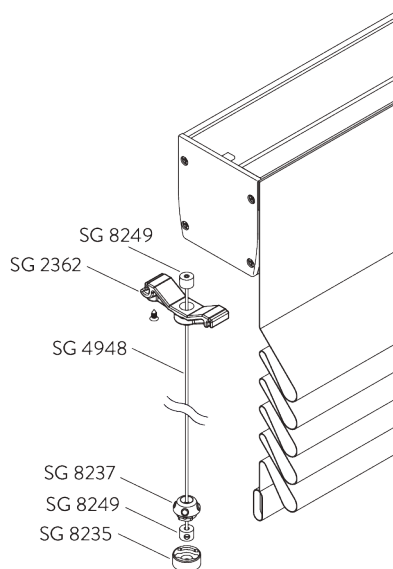
B: Rod SG 2135 / SG 2137

C: Cord SG 2216

D: Child safety hook set SG 3164

E: Option: Rod SG 2135 / SG 2137 can be installed to room side

B. SIDE GUIDES



Additional parts:

- 2x SG 2362 Side guide wire holder
- 2x SG 4948 Side guide wire \varnothing 1.5 mm
- 2x SG 8235 Side guide wire base short
- 2x SG 8237 Side guide wire holder
- 4x SG 8249 Side guide device

Note:

- Up to 15° from vertical

MOTORS & CONTROLS

A. MOTOR FEATURES

Motors	50-Series	20-Series	20-Series	10-Series K	5-Series
	SG 11251 SG 11252	SG 10323 SG 10523	SG 10322 SG 10522	SG 10514	SG 10715

Motor Features

Soft stop	•	•	•		
Electronic end-stop	•	•	•		
Electronic revolution counter (unlimited revolution)	•	•	•		
Mechanical end-stop				•	•
Mechanical revolution counter (limited revolution)				•	•
Two intermediate positions possible		•			
Bottom bar alignment	•				
Noiseless stop		•	•	•	
Parallel wiring possible without additional relays		•	•		
Disconnectable motor cable	•	•	•		
IP class	IP 30	IP 44	IP 44	IP 44	IP 44

Control Features

Mains power control		•	•	•	•
SG Control L (built-in receiver)		•			
Smart by Silent Gliss	•				
Suitable for most major home automation systems (with suitable interface)		•	•	•	•

B. MOTOR SPECIFICATIONS

See website for wiring diagram.

Motors	Max. weight	Min. system width	Voltage	Current	Frequency	Speed	Frequency receiver
--------	-------------	-------------------	---------	---------	-----------	-------	--------------------

50-Series (Smart by Silent Gliss)

SG 11251	7.5 kg	60 cm	24 V DC	1.5 A	-	32 rpm	-
SG 11252	15 kg	60 cm	24 V DC	2.1 A	-	20 rpm	-

20-Series

SG 10322 (Standard)	15 kg	60 cm	230 V AC	0.73 A	50 Hz	30 rpm	-
SG 10323	15 kg	60 cm	230 V AC	0.73 A	50 Hz	30 rpm	868/915 MHz
SG 10522	7.5 kg	60 cm	230 V AC	0.55 A	50 Hz	30 rpm	-
SG 10523	7.5 kg	60 cm	230 V AC	0.55 A	50 Hz	30 rpm	868/915 MHz

10-Series K

SG 10514	7.5 kg	60 cm	230 V AC	0.52 A	50 Hz	30 rpm	-
----------	--------	-------	----------	--------	-------	--------	---

5-Series

SG 10715	15 kg	60 cm	230 V AC	0.485 A	50-60 Hz	28 rpm	-
----------	-------	-------	----------	---------	----------	--------	---

C. OPERATING METHODS

See catalogue "controls" for details.

Wall Switch



System can be operated by fixed wall switch.

SG Control L



Various radio hand-held and wall transmitters available.



Silent Gliss Move App.

Smart by Silent Gliss



Open designed two-way communication system which allows to flawlessly integrate products with most major building management systems.



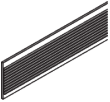
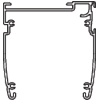
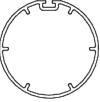



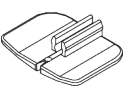

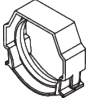
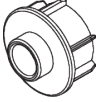

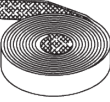
D. WIRING
DIAGRAMS


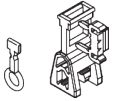
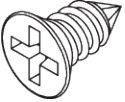


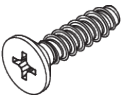


Refer to Silent Gliss website.

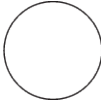
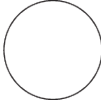

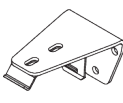
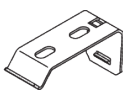
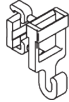

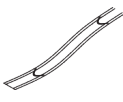
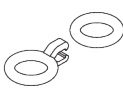




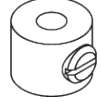
PARTS

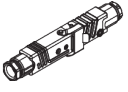
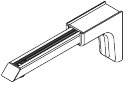
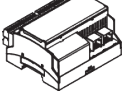
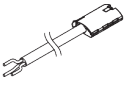
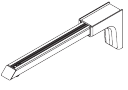

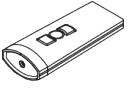
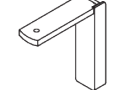
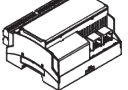

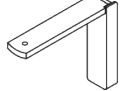
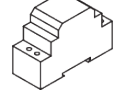
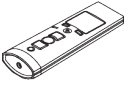
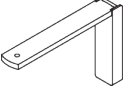
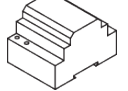

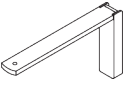
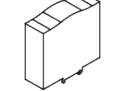

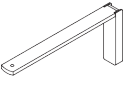
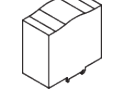

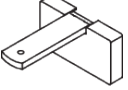

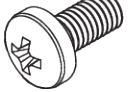
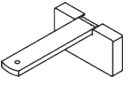

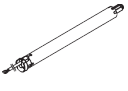
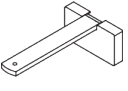


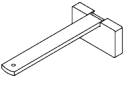


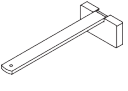
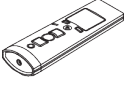

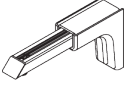

A. STANDARD PARTS

	SG 2004 Bottom bar 20x7 mm
	SG 2216 Cord ø 0.85 mm
	SG 2221 Velcro tape
	SG 2351 Profile
	SG 2352 Profile ø 50 mm
	SG 2353 End cover
	SG 2354 End cover
	SG 2355 Tube adapter
	SG 2357 Pin
	SG 2358 Shell
	SG 2359 Support
	SG 2361 Tube adapter
	SG 2368 Motor plate
	SG 2539 Tape

	SG 3003 Clamp
	SG 3164 Child safety hook set
	SG 10139 Countersunk screw 2.9x6.5
	SG 10284 O-Ring
	SG 10522 Motor 230V AC, 20-Series S 3/30
	SG 11324 PT Screw Countersunk KA35x14

B. OPTIONAL PARTS

	SG 2135 Rod steel ø 3 mm
	SG 2137 Rod fiberglass ø 4 mm
	SG 2362 Side guide wire holder
	SG 2363 Bracket 68 mm
	SG 2521 Bracket
	SG 3055 Hook
	SG 3069 Child safety eyelet
	SG 3074 Loop tape
	SG 3161 Child safety eyelet set
	SG 4948 Side guide wire ø 1.5 mm
	SG 8235 Side guide wire base short
	SG 8236 Side guide wire base long
	SG 8237 Side guide wire holder
	SG 8249 Side guide device

	SG 9916 Hirschmann plug set		SG 1155 Universal Smart Fix 150 mm		SG 11260 Gateway Cedia
	SG 10293 Cable 230V AC, 2/3/5/10 m		SG 11156 Universal Smart Fix 200 mm		SG 11261 Gateway KNX
	SG 10300 Radio hand held 1 channel		SG 11200 Smart Fix 60 mm		SG 11262 Expansion unit
	SG 10302 Radio hand held 5+1 channel		SG 11201 Smart Fix 80 mm		SG 11263 Power supply 24V DC, 2.5A DIN Rail
	SG 10303 Radio hand held 10+2+1 channel		SG 11202 Smart Fix 100 mm		SG 11264 Power supply 24V DC, 3.8A DIN Rail
	SG 10322 Tubular motor 230V AC, 20 Series S 5/30		SG 11203 Smart Fix 120 mm		SG 11265 Power supply 24V DC, 5A DIN Rail
	SG 10323 Tubular motor 230V AC, 20-Series S 5/30, radio receiver		SG 11204 Smart Fix 150 mm		SG 11266 Power supply 24V DC, 10A DIN Rail
	SG 10395 Pan head screw M4x6		SG 11210 Square Smart Fix 60 mm		SG 11351 Motor drive 5-Series
	SG 10492 Pan head screw M4x8		SG 11211 Square Smart Fix 80 mm		SG 11480 Radio wall transmitter 1 channel
	SG 10514 Tubular motor 230V AC, 10 Series S 3/30 K		SG 11212 Square Smart Fix 100 mm		SG 11482 Ring
	SG 10523 Motor 230V AC, 20-Series S 3/30, radio receiver		SG 11213 Square Smart Fix 120 mm		SG 11490 Radio wall transmitter 5+1 channel
	SG 10715 Tubular motor 230V AC, 5 Series S 6/28		SG 11214 Square Smart Fix 150 mm		
	SG 10804 Radio hand held 15+5+1 channel		SG 11251 Motor 24V DC, 50-Series S 3/32		
	SG 11154 Universal Smart Fix 120 mm		SG 11252 Motor 24V DC, 50-Series S 6/20		

The Architects of Silence

Silent Gliss is the leading global supplier of premium interior window treatment systems.

With cutting edge technology and a relentless commitment to precision, we develop and manufacture the world's quietest, smoothest-gliding curtains and blinds.

Driven by our customers' needs, Silent Gliss provides bespoke curtain and blind systems complemented by expert technical advice, installation and support services. Silent Gliss stands for innovative solutions, exceptional design and outstanding quality. Swiss engineered since 1952.

Silent Gliss Iberia, S.L.

C/Muntaner, 231 2º 1aA

08021 Barcelona

T+34 931 187 843

info@silentgliss.es

Av. Canteras, 64, Módulo 2

Nave A

28343 Valdemoro (Madrid)

T+34 912 963 831

info@silentgliss.es

silentgliss.es