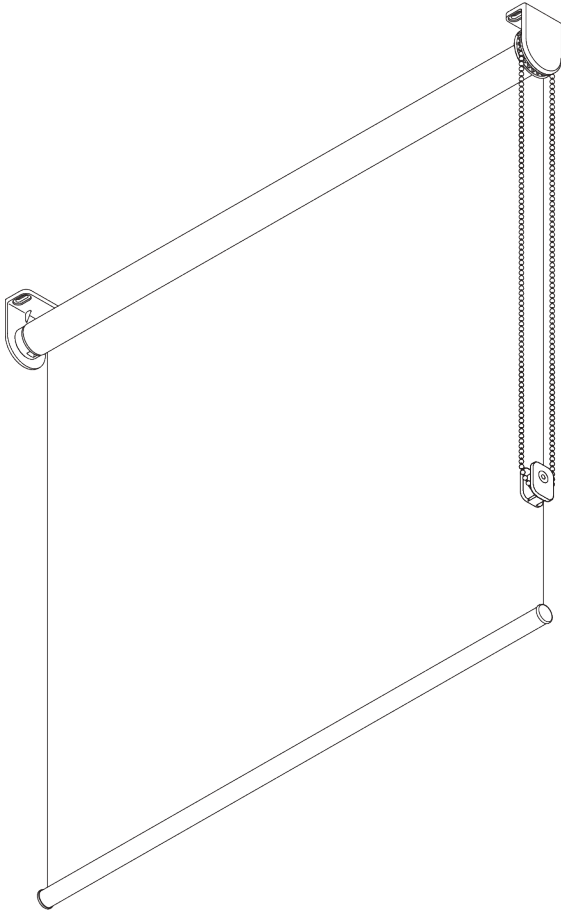
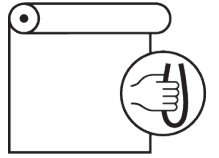


SG 4907



PRODUCT INFORMATION

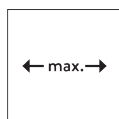
- **Operation:** chain
- **Range:** S
- **Fitting:** ceiling, wall, recess
- **Colours:** white RAL 9016 or grey RAL 7035
- **Fabrics:** refer to Silent Gliss fabric collection

Features:

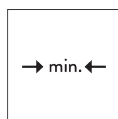
- Stainless steel bead chain
- Identical (left / right) metal click-in brackets
- Installation profile

SYSTEM SPECIFICATIONS

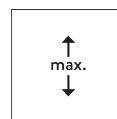
A. SYSTEM DIMENSIONS



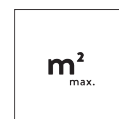
1.8 m



50 cm



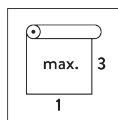
2.8 m



5 m²



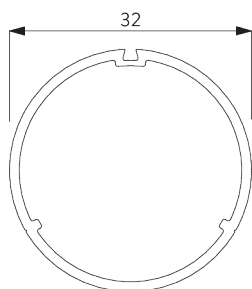
2.5 kg



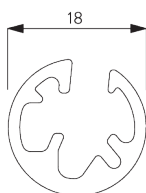
Recommended width /
height ratio
max. 1:3

B. PROFILE

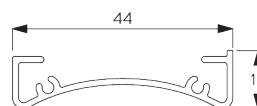
Profile information



SG 4227
Tube ø 32 mm

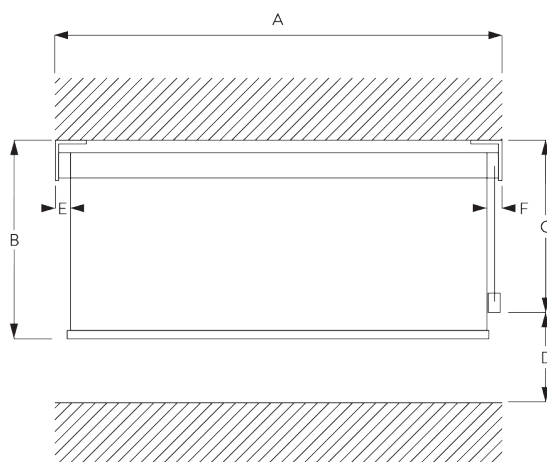


SG 10872
Bottom bar



SG 10534
Installation profile

C. HOW TO MEASURE



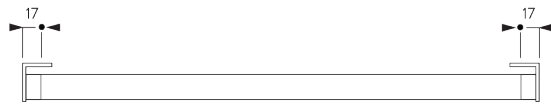
- A: System width
- B: System height
- C: Chain height
- D: Safety Retainer SG 10731 min. 150 cm above floor
- E: Light gap: 17 mm
- F: Light gap operation side: 17 mm

FITTING

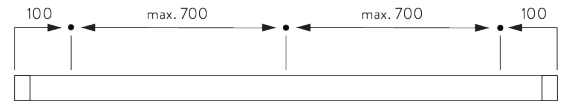
A. FITTING INFORMATION

Fixing points

For detailed fitting information, visit the Silent Gliss website.

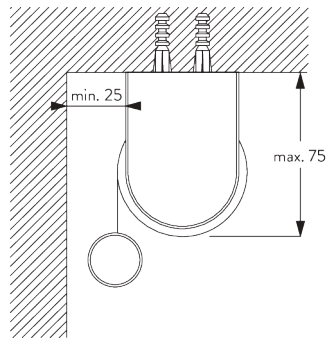


Brackets (wall / ceiling)

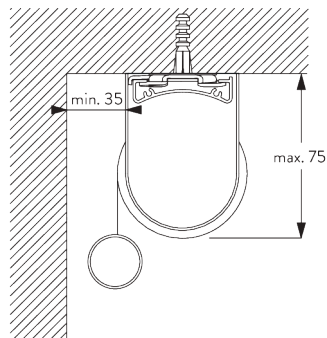


Installation profile SG 10534 (wall / ceiling)

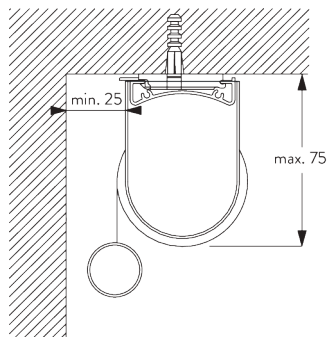
B. CEILING FITTING



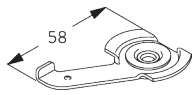
Brackets SG 10873



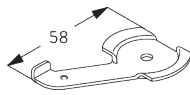
Installation profile SG 10534, brackets SG 11198 and clamps SG 3033 or SG 3044



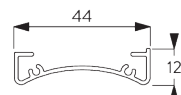
Installation profile SG 10534, brackets SG 11198 and click bracket SG 10539



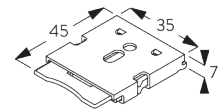
SG 3033
Clamp



SG 3044
Clamp



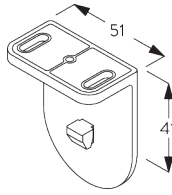
SG 10534
Installation profile



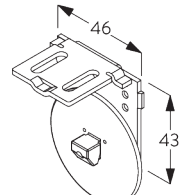
SG 10539
Bracket



SG 10574
Bracket cover

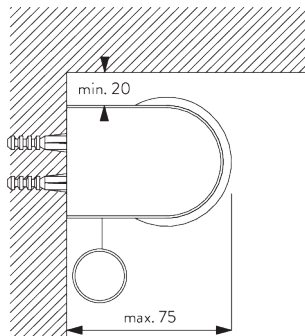


SG 10873
Bracket

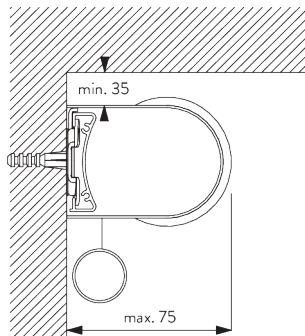


SG 11198
Bracket

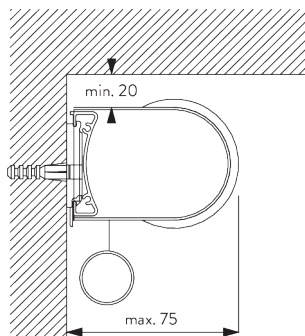
C. WALL FITTING



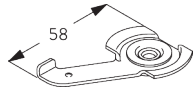
Brackets SG 10873



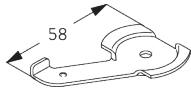
Installation profile SG 10534, brackets SG 11198 and clamps SG 3033 or SG 3044



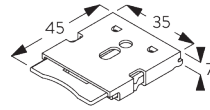
Installation profile SG 10534, brackets SG 11198 and click bracket SG 10539



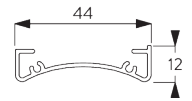
SG 3033
Clamp



SG 3044
Clamp



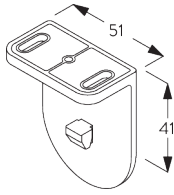
SG 10539
Bracket



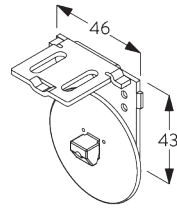
SG 10534
Installation profile



SG 10574
Bracket cover

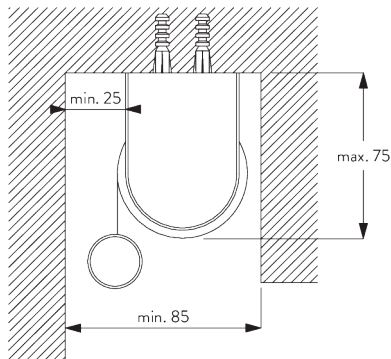


SG 10873
Bracket

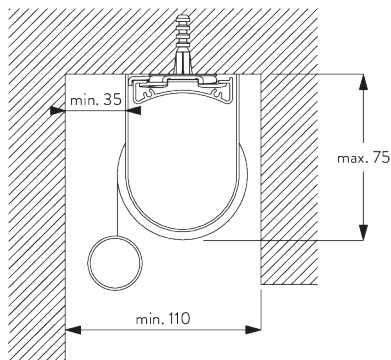


SG 11198
Bracket

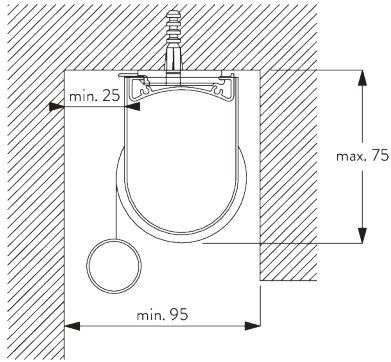
D. RECESS FITTING



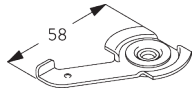
Brackets SG 10873



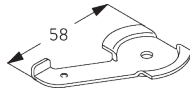
Installation profile SG 10534, brackets SG 11198 and clamps SG 3033 or SG 3044



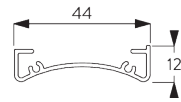
Installation profile SG 10534, brackets SG 11198 and click bracket SG 10539



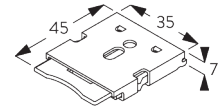
SG 3033
Clamp



SG 3044
Clamp



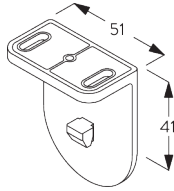
SG 10534
Installation profile



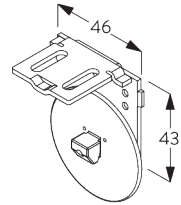
SG 10539
Bracket



SG 10574
Bracket cover



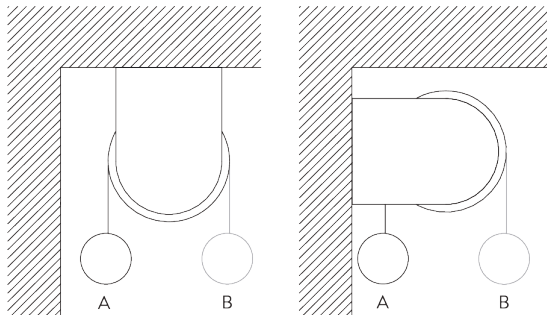
SG 10873
Bracket



SG 11198
Bracket

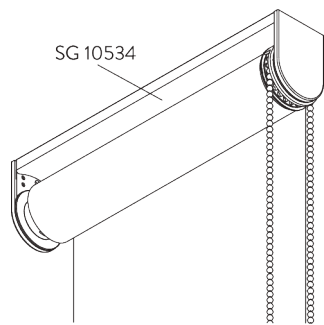
SYSTEM OPTIONS

A. FABRIC ROLL-OFF



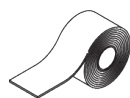
A: Fabric roll-off window side (standard)
B: Fabric roll-off room side (option)

B. INSTALLATION
PROFILE



PARTS

A. STANDARD PARTS



SG 4226

Double tape 30 mm



SG 4227

Tube ø 32 mm



SG 4234

PVC strip 12 mm



SG 4845

Bead chain metal ø 4.5 mm



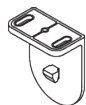
SG 10731

Child safety retainer set



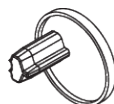
SG 10872

Bottom bar



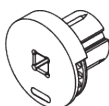
SG 10873

Bracket



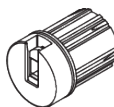
SG 10874

End cover



SG 10880

Chain drive



SG 10885

Tube adapter

B. OPTIONAL PARTS



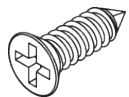
SG 3033

Clamp



SG 3044

Clamp



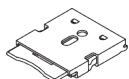
SG 10498

Countersunk screw 2.9x9.5



SG 10534

Installation profile



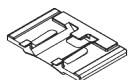
SG 10539

Bracket



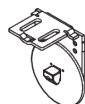
SG 10574

Bracket cover



SG 10690

Spacer



SG 11198

Bracket