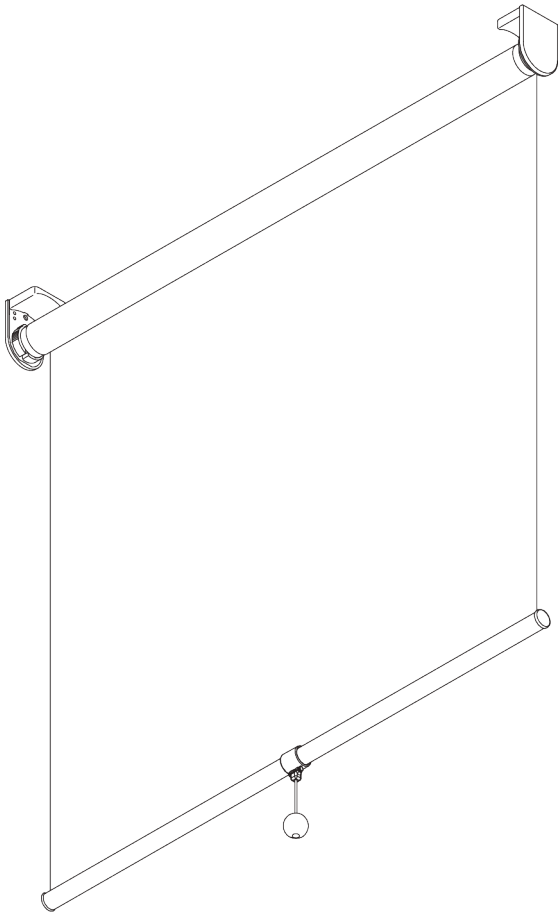
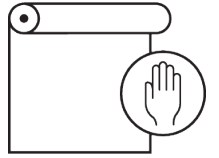


SG 4900



PRODUCT INFORMATION

- **Operation:** spring
- **Range:** S - M
- **Fitting:** ceiling, wall, recess
- **Colours:** white RAL 9016 or anodised aluminum, special colours possible
- **Fabrics:** refer to Silent Gliss fabric collection

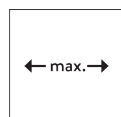
Features:

- Speed controller for controlled ascent
- Stop clutch mechanism to stop at any position
- Click-in brackets
- Installation profile
- End stop controller

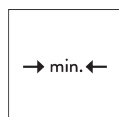
04/2024/V1

SYSTEM SPECIFICATIONS

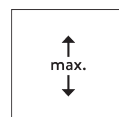
A. SYSTEM DIMENSIONS



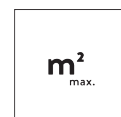
2 m



30 cm



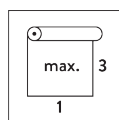
3 m



6 m²



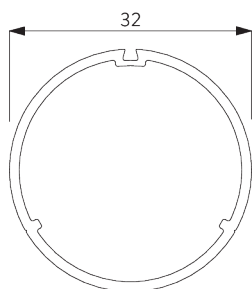
2.2 kg



Recommended width /
height ratio
max. 1:3

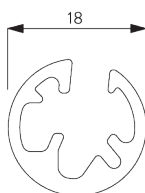
B. PROFILE

Profile information



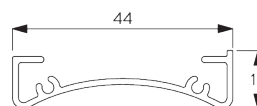
SG 4227

Tube ø 32 mm



SG 10872

Bottom bar

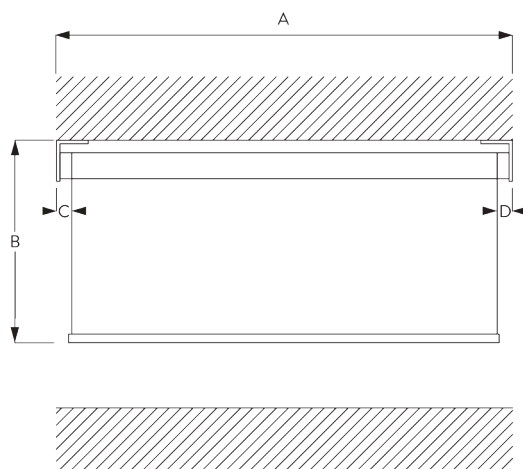


SG 10534

Installation profile

C. HOW TO MEASURE

incl. bracket covers



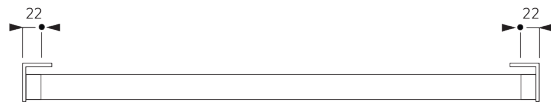
A: System width
B: System height
C: Light gap left side: 15 mm
D: Light gap right side: 15 mm

Note:
All measurements include 2 mm for bracket cover per side!

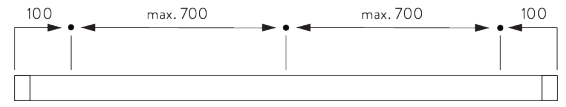
FITTING

A. FITTING INFORMATION

Fixing points

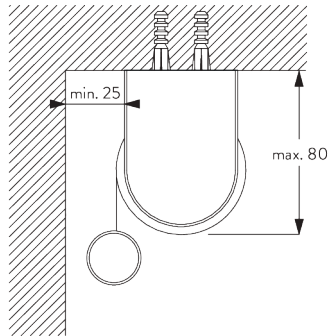


Brackets (wall / ceiling)



Installation profile SG 10534 (wall / ceiling)

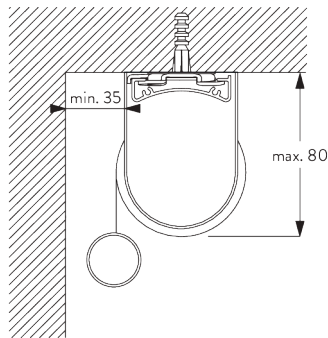
B. CEILING FITTING



Brackets

Bracket SG 10989: window rolling side of fabric or
Bracket SG 10991: room rolling side of fabric

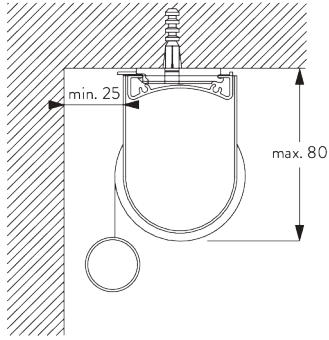
Bracket SG 10987



Installation profile SG 10534 and clamps SG 3033 or SG 3044

Bracket SG 10989: window rolling side of fabric or
Bracket SG 10991: room rolling side of fabric

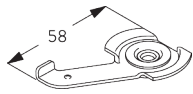
Bracket SG 10987



Installation profile SG 10534 and click bracket SG 10539

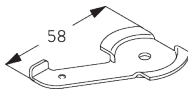
Bracket SG 10989: window rolling side of fabric or
 Bracket SG 10991: room rolling side of fabric

Bracket SG 10987



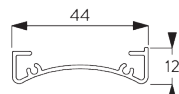
SG 3033

Clamp



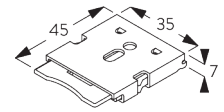
SG 3044

Clamp



SG 10534

Installation profile



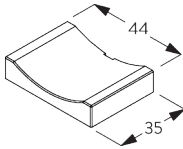
SG 10539

Bracket



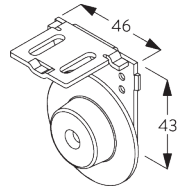
SG 10574

Bracket cover



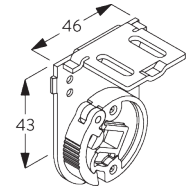
SG 10575

Bracket cover



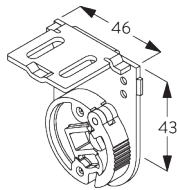
SG 10987

Bracket



SG 10989

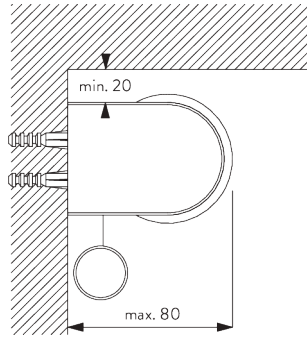
Bracket



SG 10991

Bracket

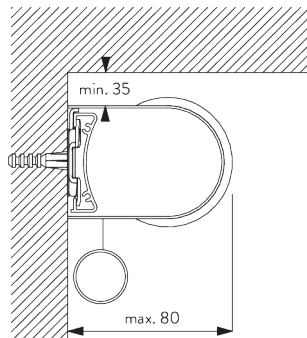
C. WALL FITTING



Brackets

Bracket SG 10990: window rolling side of fabric or
Bracket SG 10992: room rolling side of fabric

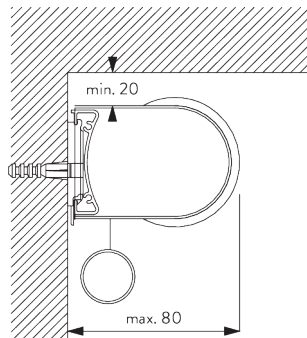
Bracket SG 10987



Installation profile SG 10534 and clamps SG 3033 or SG 3044

Bracket SG 10990: window rolling side of fabric or
Bracket SG 10992: room rolling side of fabric

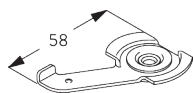
Bracket SG 10987



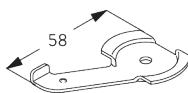
Installation profile SG 10534 and click bracket SG 10539

Bracket SG 10990: window rolling side of fabric or
Bracket SG 10992: room rolling side of fabric

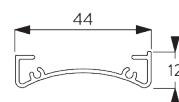
Bracket SG 10987



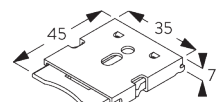
SG 3033
Clamp



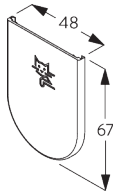
SG 3044
Clamp



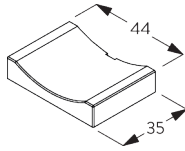
SG 10534
Installation profile



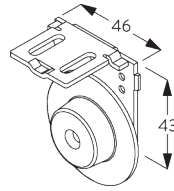
SG 10539
Bracket



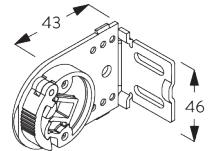
SG 10574
Bracket cover



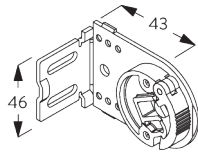
SG 10575
Bracket cover



SG 10987
Bracket

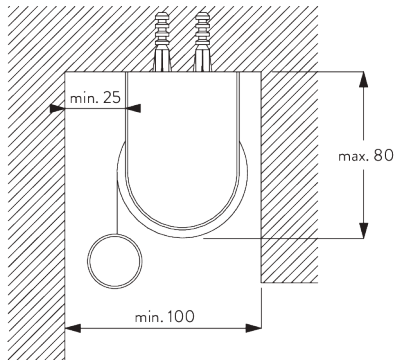


SG 10990
Bracket



SG 10992
Bracket

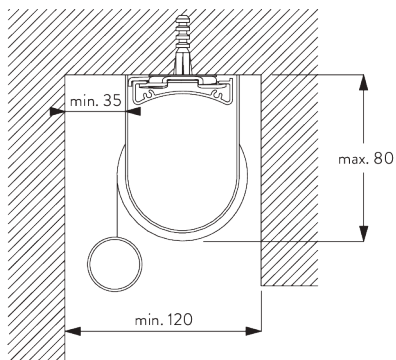
D. RECESS FITTING



Brackets

Bracket SG 10989: window rolling side of fabric or
Bracket SG 10991: room rolling side of fabric

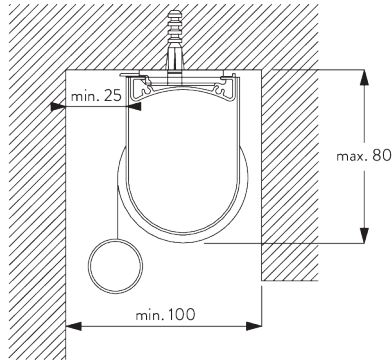
Bracket SG 10987



Installation profile SG 10534 and clamps SG 3033 or SG 3044

Bracket SG 10989: window rolling side of fabric or
Bracket SG 10991: room rolling side of fabric

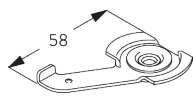
Bracket SG 10987



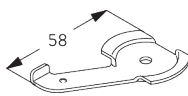
Installation profile SG 10534 and click bracket SG 10539

Bracket SG 10989: window rolling side of fabric or
Bracket SG 10991: room rolling side of fabric

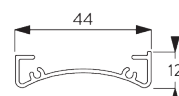
Bracket SG 10987



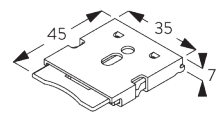
SG 3033
Clamp



SG 3044
Clamp



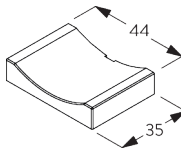
SG 10534
Installation profile



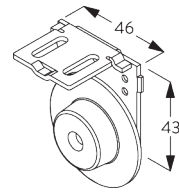
SG 10539
Bracket



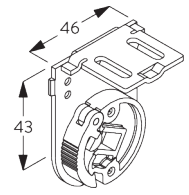
SG 10574
Bracket cover



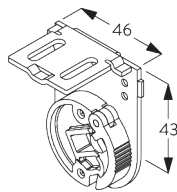
SG 10575
Bracket cover



SG 10987
Bracket



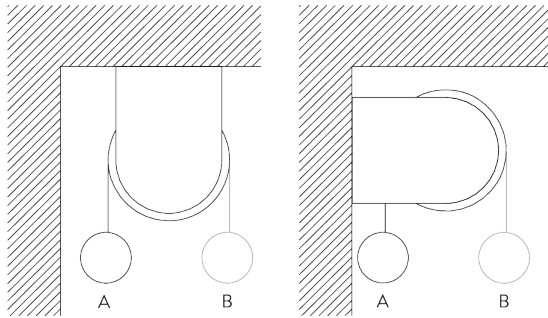
SG 10989
Bracket



SG 10991
Bracket

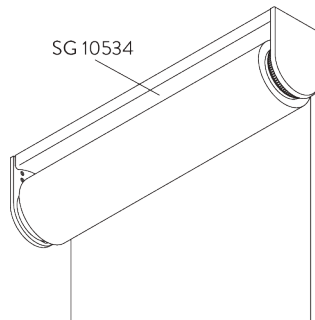
SYSTEM OPTIONS

A. FABRIC ROLL-OFF

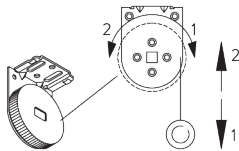


A: Fabric roll-off window side (standard)
B: Fabric roll-off room side (option)

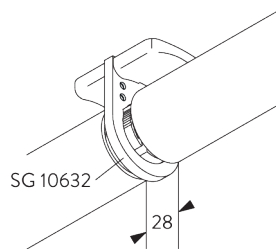
B. INSTALLATION PROFILE



C. ADJUSTABLE END STOP



D. TWO SINGLE SYSTEMS SIDE-BY-SIDE

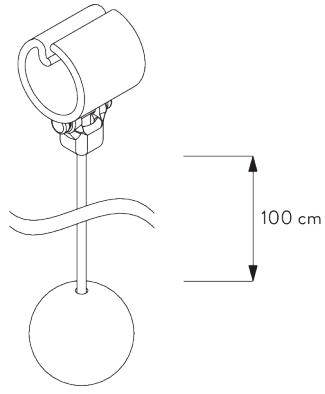


Additional parts:

- 1x SG 10632 Connection bracket cover

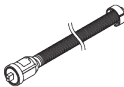
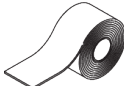
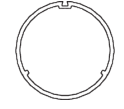
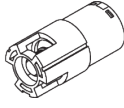
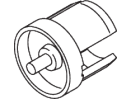

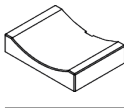
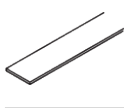
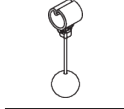


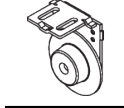

E. CHILD SAFETY
PULL BALL SET

Child safety pull ball set SG 10765

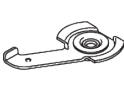
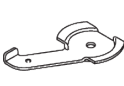
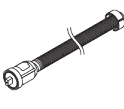
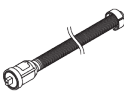
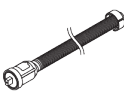
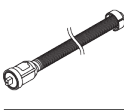
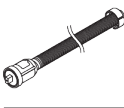
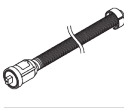
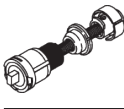
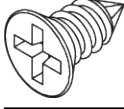

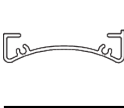
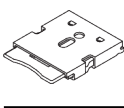



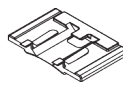


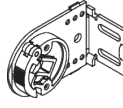

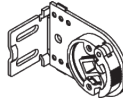
PARTS

A. STANDARD PARTS

	SG 4214 Spring C 552 mm
	SG 4226 Double tape 30 mm
	SG 4227 Tube ø 32 mm
	SG 4228 Speed controller right
	SG 4231 Tube adapter
	SG 10574 Bracket cover
	SG 10575 Bracket cover
	SG 10668 PVC strip 10 mm
	SG 10765 Child safety pull ball
	SG 10872 Bottom bar
	SG 10874 End cover
	SG 10987 Bracket
	SG 10989 Bracket

B. OPTIONAL PARTS

	SG 3033 Clamp
	SG 3044 Clamp
	SG 4212 Spring A 365 mm
	SG 4213 Spring B 442 mm
	SG 4215 Spring D 612 mm
	SG 4216 Spring E 502 mm
	SG 4217 Spring F 612 mm
	SG 4218 Spring Y-2 198 mm
	SG 4377 End stop
	SG 10139 Countersunk screw 2.9x6.5
	SG 10498 Countersunk screw 2.9x9.5
	SG 10534 Installation profile
	SG 10539 Bracket
	SG 10632 Connection bracket cover

	SG 10690 Spacer
	SG 10707 End stop
	SG 10988 Bracket end stop
	SG 10990 Bracket
	SG 10991 Bracket
	SG 10992 Bracket

