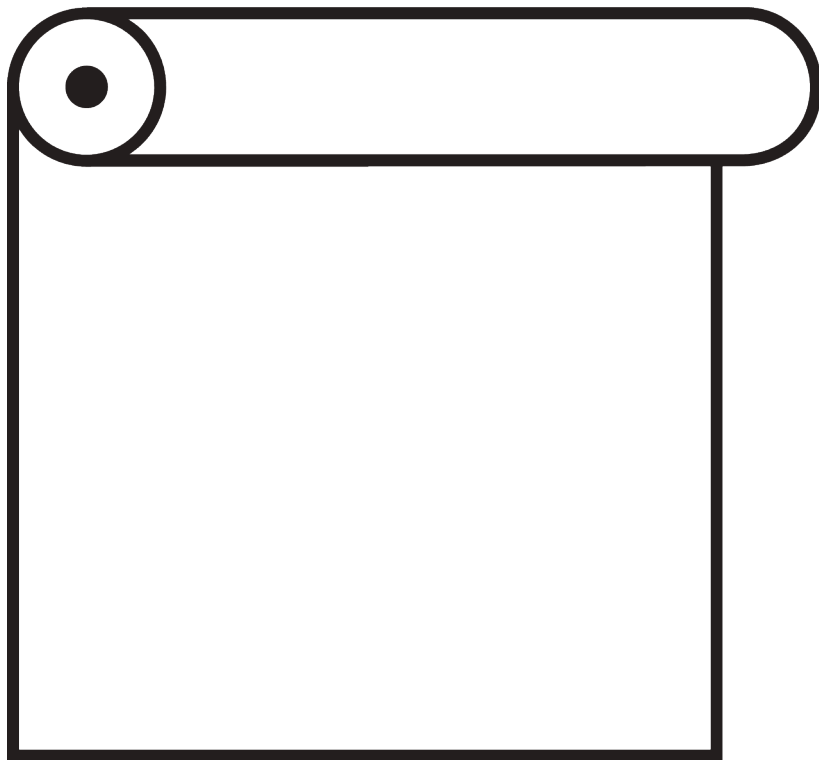


ROLLER BLIND SYSTEMS



GENERAL NOTES

Dimensions

- Measurements are in mm except where indicated.
- Max. kg relates to fabric incl. accessories (bottom bars, etc.).











Fitting

- Installation by qualified fitter only.
- Number of brackets and fitting positions / fixing points vary depending on fitting surface, system weight, fabric make-up, screw / fixing type and obstacles.
- Qualified fitter must use appropriate screws / fixings for each situation.
- Profile lip if applicable to be installed to room side.
- Electrical installations must be carried out according to Silent Gliss wiring diagrams and conform to local regulations.
- Check space for cables and plugs!

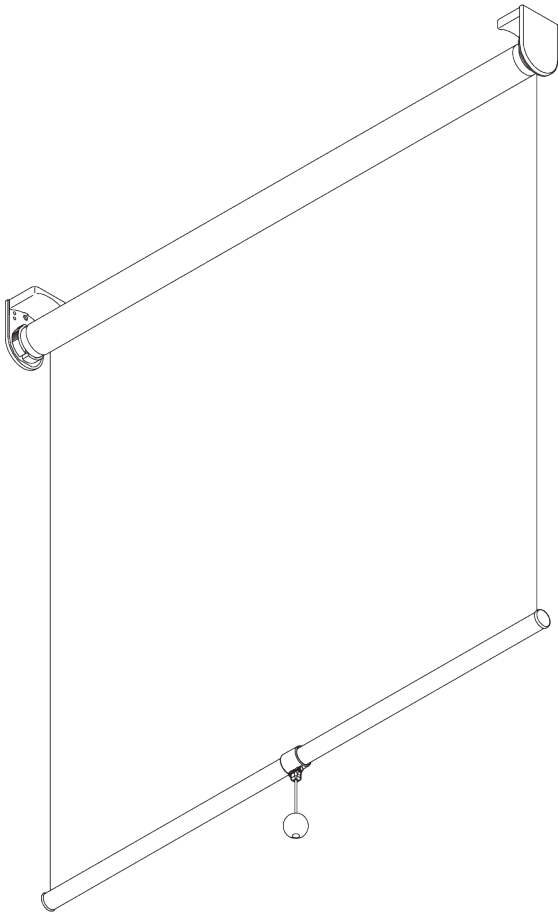
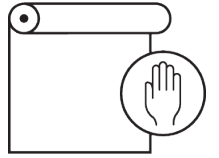
Child Safety

- All relevant Silent Gliss systems correspond to child safety EN 13120.
- All parties involved must comply with EN 13120.

APPLICATION CHART

| <u>PAGE</u> | <u>SYSTEM</u> | <u>OPERATION</u> | <u>DIMENSION</u> | ← max. → | ↑ max. ↓ | kg _{max.} |
|-------------|----------------|---|------------------|----------|----------|--------------------|
| 5 | SG 4900 |  | S - M | 2 m | 3 m | 2.2 kg |
| 15 | SG 4905 |  | S | 1.6 m | 3 m | 1.3 kg |
| 23 | SG 4907 |  | S | 1.8 m | 2.8 m | 2.5 kg |
| 31 | SG 4910 |  | S - M | 2.4 m | 3 m | 3 kg |
| 49 | SG 4930 |  | M - L | 3.4 m | 5 m | 7 kg |
| 61 | SG 4840 |  | L | 5 m | 6 m | 12.5 kg |
| 71 | SG 4955 |  | S - M | 2.4 m | 4 m | 2.5 kg |
| 79 | SG 4960 |  | S - M | 2.4 m | 4 m | 5.5 kg |
| 99 | SG 4970 |  | M - L | 3.4 m | 5 m | 10 kg |
| 115 | SG 4880 |  | L | 5 m | 12 m | 23 kg |

SG 4900



PRODUCT INFORMATION

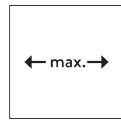
- **Operation:** spring
- **Range:** S - M
- **Fitting:** ceiling, wall, recess
- **Colours:** white RAL 9016 or anodised aluminum, special colours possible
- **Fabrics:** refer to Silent Gliss fabric collection

Features:

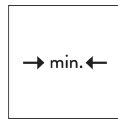
- Speed controller for controlled ascent
- Stop clutch mechanism to stop at any position
- Click-in brackets
- Installation profile
- End stop controller

SYSTEM SPECIFICATIONS

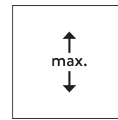
A. SYSTEM DIMENSIONS



2 m



30 cm



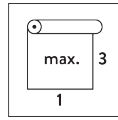
3 m



6 m²



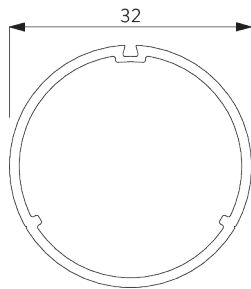
2.2 kg



Recommended width /
height ratio
max. 1:3

B. PROFILE

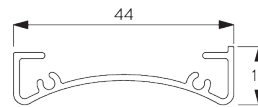
Profile information



SG 4227
Tube ø 32 mm



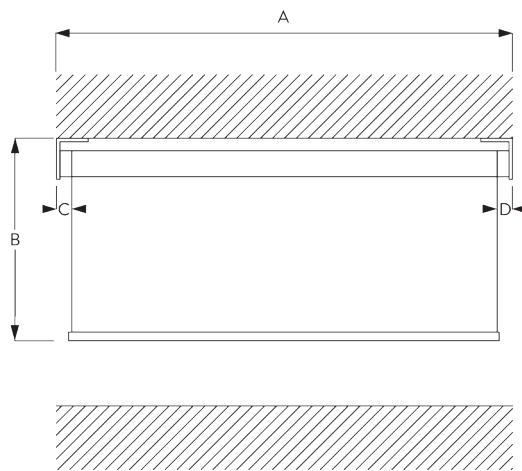
SG 10872
Bottom bar



SG 10534
Installation profile

C. HOW TO MEASURE

incl. bracket covers



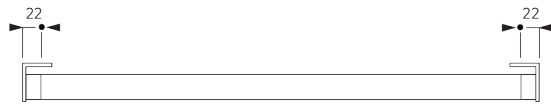
- A: System width
- B: System height
- C: Light gap left side: 15 mm
- D: Light gap right side: 15 mm

Note:
All measurements include 2 mm for bracket cover per side!

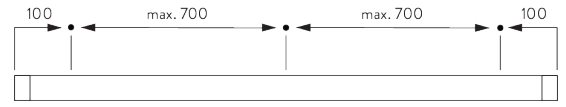
FITTING

A. FITTING INFORMATION

Fixing points

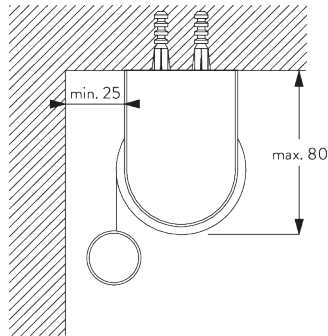


Brackets (wall / ceiling)



Installation profile SG 10534 (wall / ceiling)

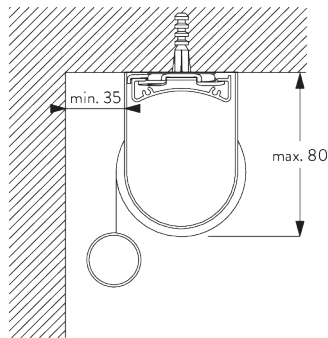
B. CEILING FITTING



Brackets

Bracket SG 10989: window rolling side of fabric or
Bracket SG 10991: room rolling side of fabric

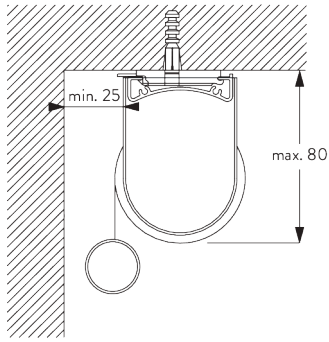
Bracket SG 10987



Installation profile SG 10534 and clamps SG 3033 or SG 3044

Bracket SG 10989: window rolling side of fabric or
Bracket SG 10991: room rolling side of fabric

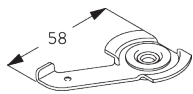
Bracket SG 10987



Installation profile SG 10534 and click bracket SG 10539

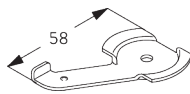
Bracket SG 10989: window rolling side of fabric or
 Bracket SG 10991: room rolling side of fabric

Bracket SG 10987



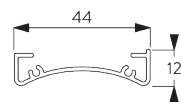
SG 3033

Clamp



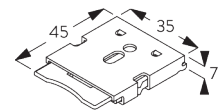
SG 3044

Clamp



SG 10534

Installation profile



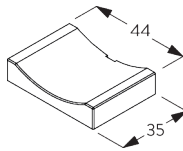
SG 10539

Bracket



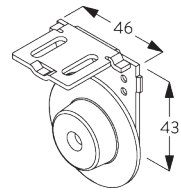
SG 10574

Bracket cover



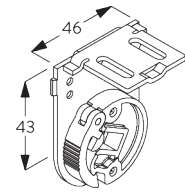
SG 10575

Bracket cover



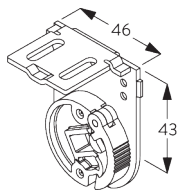
SG 10987

Bracket



SG 10989

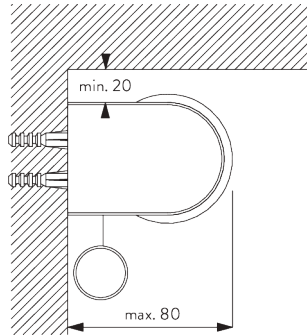
Bracket



SG 10991

Bracket

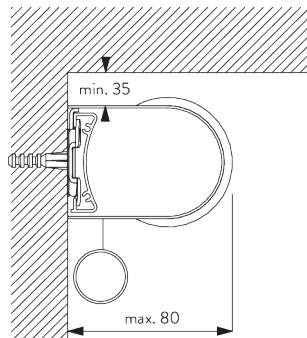
C. WALL FITTING



Brackets

Bracket SG 10990: window rolling side of fabric or
Bracket SG 10992: room rolling side of fabric

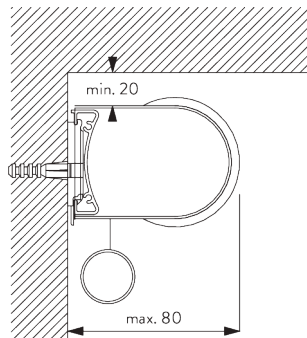
Bracket SG 10987



Installation profile SG 10534 and clamps SG 3033 or SG 3044

Bracket SG 10990: window rolling side of fabric or
Bracket SG 10992: room rolling side of fabric

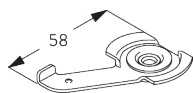
Bracket SG 10987



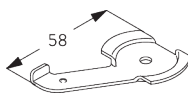
Installation profile SG 10534 and click bracket SG 10539

Bracket SG 10990: window rolling side of fabric or
Bracket SG 10992: room rolling side of fabric

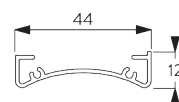
Bracket SG 10987



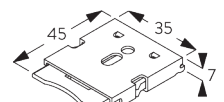
SG 3033
Clamp



SG 3044
Clamp



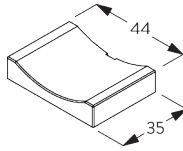
SG 10534
Installation profile



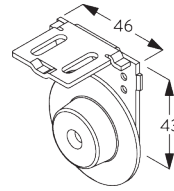
SG 10539
Bracket



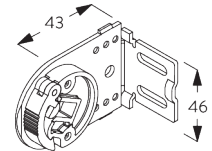
SG 10574
Bracket cover



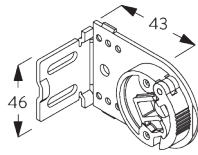
SG 10575
Bracket cover



SG 10987
Bracket

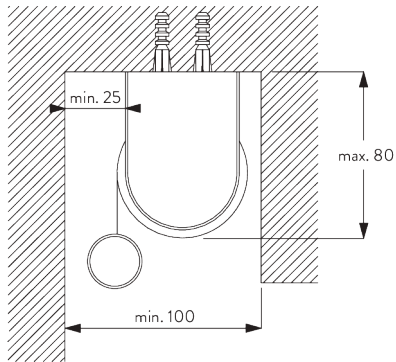


SG 10990
Bracket



SG 10992
Bracket

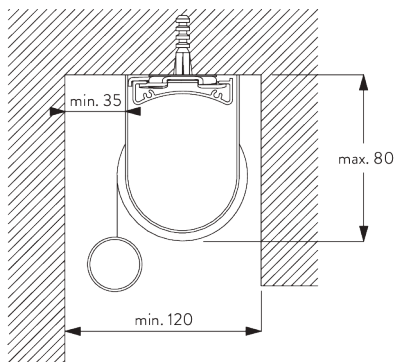
D. RECESS FITTING



Brackets

Bracket SG 10989: window rolling side of fabric or
Bracket SG 10991: room rolling side of fabric

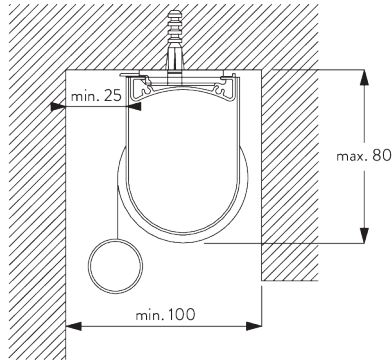
Bracket SG 10987



Installation profile SG 10534 and clamps SG 3033 or SG 3044

Bracket SG 10989: window rolling side of fabric or
Bracket SG 10991: room rolling side of fabric

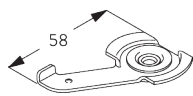
Bracket SG 10987



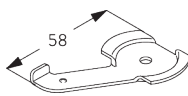
Installation profile SG 10534 and click bracket SG 10539

Bracket SG 10989: window rolling side of fabric or
Bracket SG 10991: room rolling side of fabric

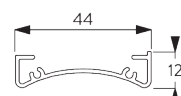
Bracket SG 10987



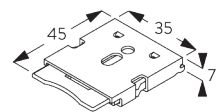
SG 3033
Clamp



SG 3044
Clamp



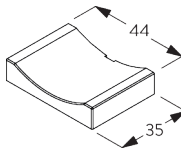
SG 10534
Installation profile



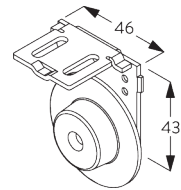
SG 10539
Bracket



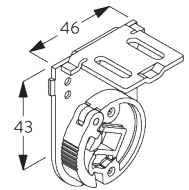
SG 10574
Bracket cover



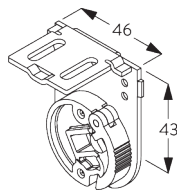
SG 10575
Bracket cover



SG 10987
Bracket



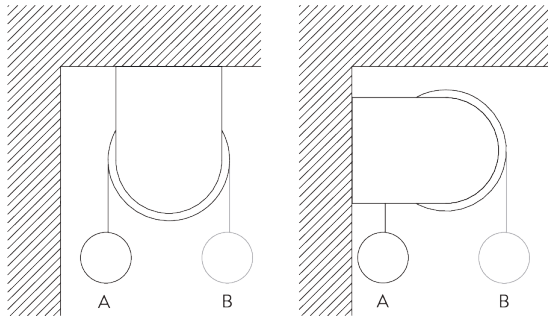
SG 10989
Bracket



SG 10991
Bracket

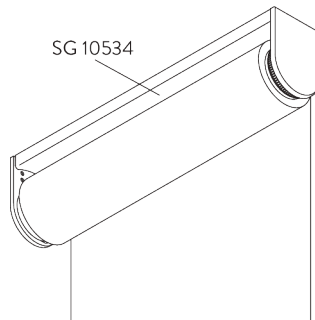
SYSTEM OPTIONS

A. FABRIC ROLL-OFF

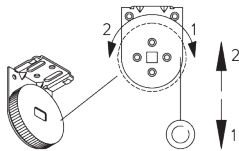


A: Fabric roll-off window side (standard)
B: Fabric roll-off room side (option)

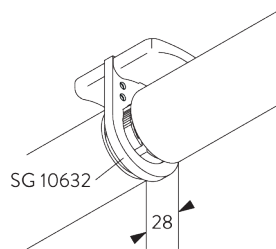
B. INSTALLATION PROFILE



C. ADJUSTABLE END STOP



D. TWO SINGLE SYSTEMS SIDE-BY-SIDE

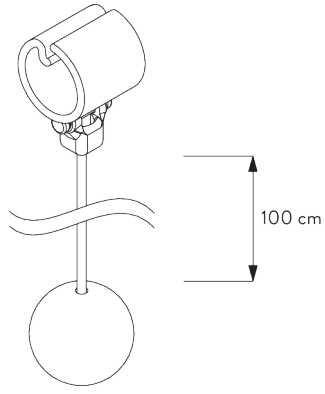


Additional parts:

- 1x SG 10632 Connection bracket cover

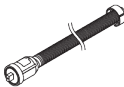
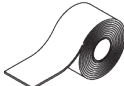
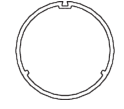
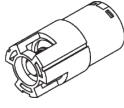
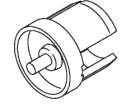

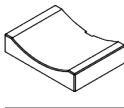
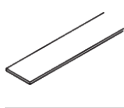
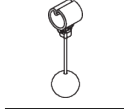


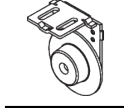

E. CHILD SAFETY
PULL BALL SET

Child safety pull ball set SG 10765

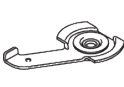
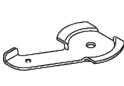
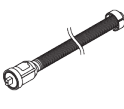
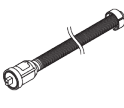
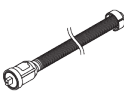
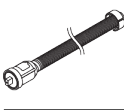
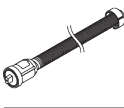
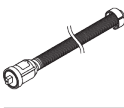
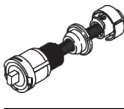
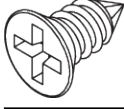

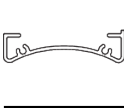
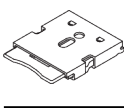



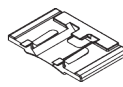


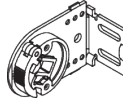

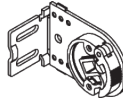
PARTS

A. STANDARD PARTS

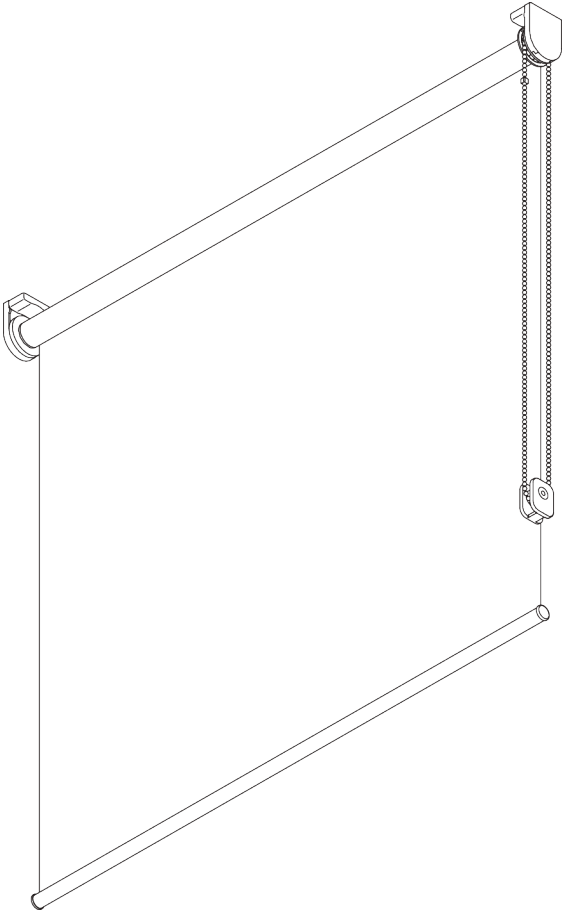
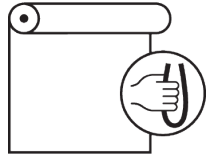
| | |
|--|---|
|  | SG 4214 Spring C 552 mm |
|  | SG 4226 Double tape 30 mm |
|  | SG 4227 Tube ø 32 mm |
|  | SG 4228 Speed controller right |
|  | SG 4231 Tube adapter |
|  | SG 10574 Bracket cover |
|  | SG 10575 Bracket cover |
|  | SG 10668 PVC strip 10 mm |
|  | SG 10765 Child safety pull ball |
|  | SG 10872 Bottom bar |
|  | SG 10874 End cover |
|  | SG 10987 Bracket |
|  | SG 10989 Bracket |

B. OPTIONAL PARTS

| | |
|---|--|
|  | SG 3033 Clamp |
|  | SG 3044 Clamp |
|  | SG 4212 Spring A 365 mm |
|  | SG 4213 Spring B 442 mm |
|  | SG 4215 Spring D 612 mm |
|  | SG 4216 Spring E 502 mm |
|  | SG 4217 Spring F 612 mm |
|  | SG 4218 Spring Y-2 198 mm |
|  | SG 4377 End stop |
|  | SG 10139 Countersunk screw 2.9x6.5 |
|  | SG 10498 Countersunk screw 2.9x9.5 |
|  | SG 10534 Installation profile |
|  | SG 10539 Bracket |
|  | SG 10632 Connection bracket cover |

| | |
|--|-------------------------------------|
|  | SG 10690 Spacer |
|  | SG 10707 End stop |
|  | SG 10988 Bracket end stop |
|  | SG 10990 Bracket |
|  | SG 10991 Bracket |
|  | SG 10992 Bracket |

SG 4905



PRODUCT INFORMATION

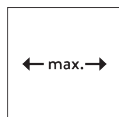
- **Operation:** chain
- **Range:** S
- **Fitting:** ceiling, wall, recess
- **Colours:** 20 colours plus silver
- **Fabrics:** refer to Silent Gliss fabric collection

Features:

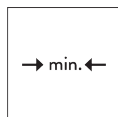
- Stainless steel bead chain
- Click-in brackets

SYSTEM SPECIFICATIONS

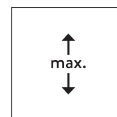
A. SYSTEM DIMENSIONS



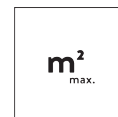
1.6 m



25 cm



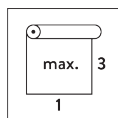
3 m



4.8 m²



1.3 kg



Recommended width /
height ratio
max. 1:3

Maximum system drop

Wall fitting (system drop on window side)

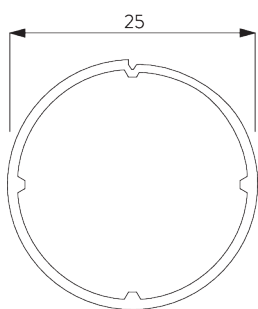
| | | | | | | | | | | |
|------------------|----|------|------|------|------|------|------|------|------|------|
| Fabric thickness | mm | 0.15 | 0.20 | 0.25 | 0.30 | 0.35 | 0.40 | 0.45 | 0.50 | 0.55 |
| Max. system drop | cm | 300 | 300 | 300 | 300 | 290 | 260 | 240 | 210 | 190 |

Ceiling fitting / wall fitting (system drop on room side)

| | | | | | | | | | | |
|------------------|----|------|------|------|------|------|------|------|------|------|
| Fabric thickness | mm | 0.15 | 0.20 | 0.25 | 0.30 | 0.35 | 0.40 | 0.45 | 0.50 | 0.55 |
| Max. system drop | cm | 300 | 300 | 300 | 300 | 300 | 300 | 290 | 260 | 240 |

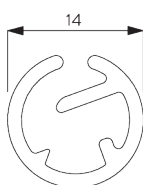
B. PROFILE

Profile information



SG 10533

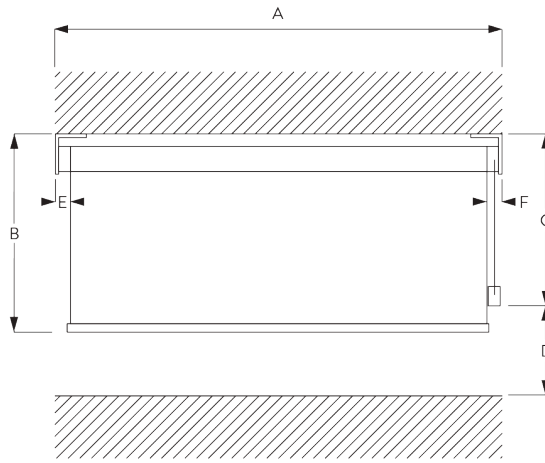
Tube ø 25 mm



SG 10687

Bottom bar

**C. HOW TO
MEASURE**



- A: System width
- B: System height
- C: Chain height
- D: Safety Retainer SG 10731 min. 150 cm above floor
- E: Light gap: 16 mm
- F: Light gap operation side: 21 mm

FITTING

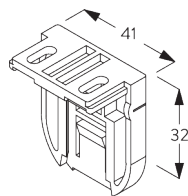
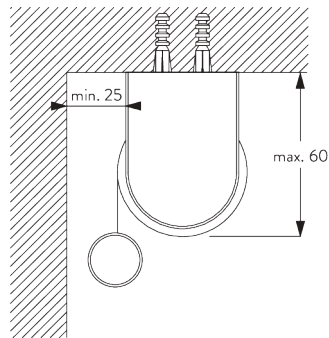
**A. FITTING
INFORMATION**

For detailed fitting information, visit the Silent Gliss website, login section.

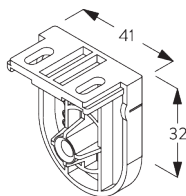
Fixing points



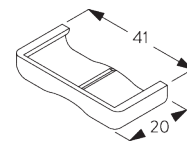
B. CEILING FITTING



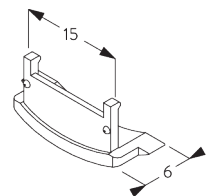
SG 10679
Bracket



SG 10680
Bracket

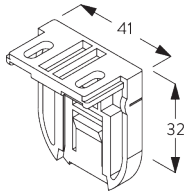
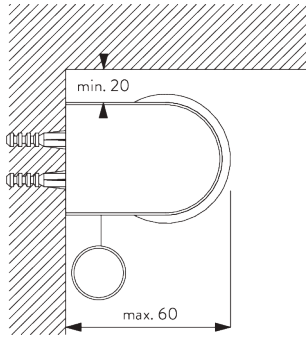


SG 10683
Bracket cover

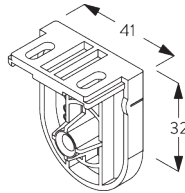


SG 10684
Cover

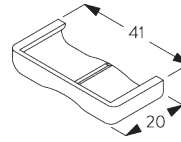
C. WALL FITTING



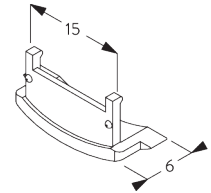
SG 10679
Bracket



SG 10680
Bracket

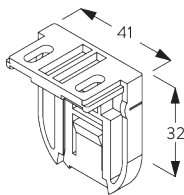
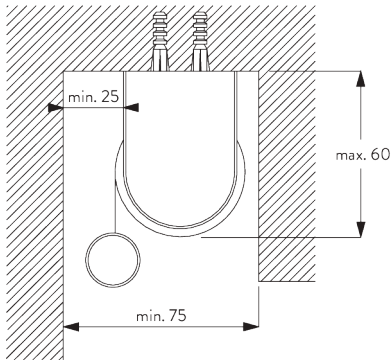


SG 10683
Bracket cover

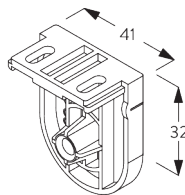


SG 10684
Cover

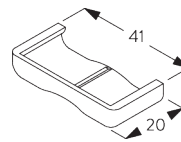
D. RECESS FITTING



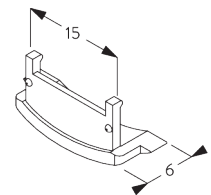
SG 10679
Bracket



SG 10680
Bracket

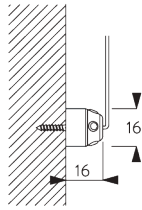
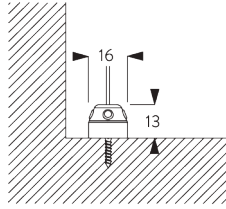


SG 10683
Bracket cover

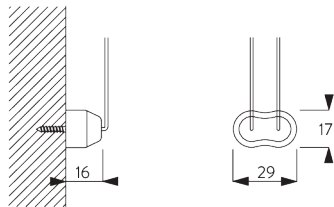
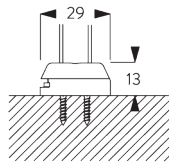


SG 10684
Cover

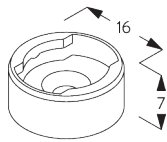
**E. FITTING WITH
SIDE GUIDE
OPTION**



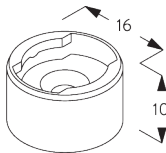
Single system



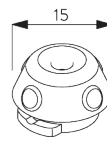
Double system (side-by-side installation)



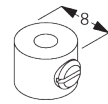
SG 8235
Side guide wire base short



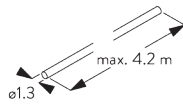
SG 8236
Side guide wire base long



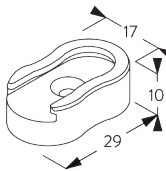
SG 8237
Side guide wire holder



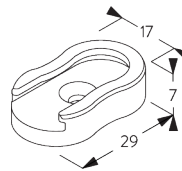
SG 8249
Side guide device



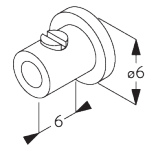
SG 10643
Side guide wire $\varnothing 1.3$ mm x 4.2 m



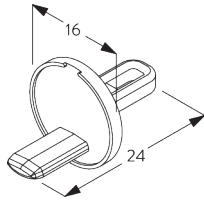
SG 10669
Side guide double base long



SG 10673
Side guide double base short

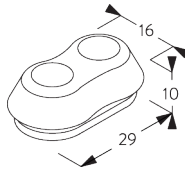


SG 10676
Device



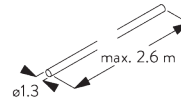
SG 10686

Side guide end cover



SG 10701

Side guide double wire holder

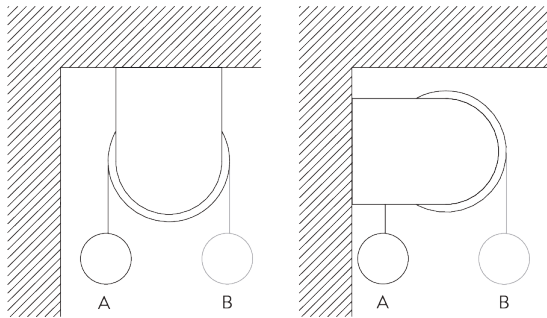


SG 10706

Side guide wire \varnothing 1.3 mm x 2.6 m

SYSTEM OPTIONS

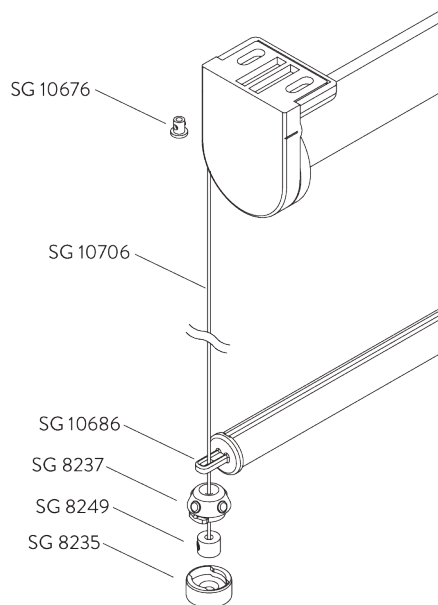
A. FABRIC ROLL-OFF



A: Fabric roll-off window side (standard)

B: Fabric roll-off room side (option)

B. SIDE GUIDES



Additional parts:

- 2x SG 8235 Side guide wire base short
- 2x SG 8237 Side guide wire holder
- 2x SG 8249 Side guide device
- 2x SG 10676 Device
- 2x SG 10686 Side guide end cover
- 2x SG 10706 Side guide wire \varnothing 1.3 mm x 2.6 m

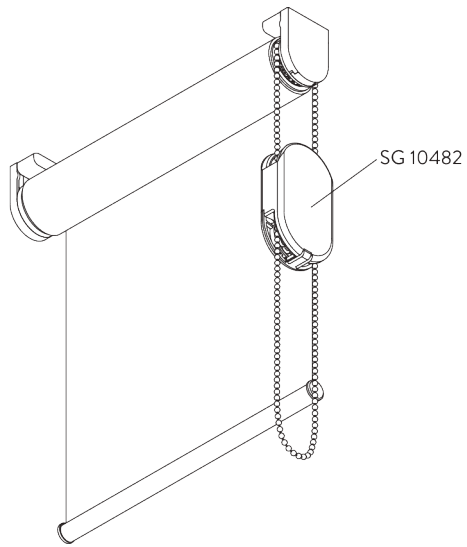
Optional parts:

- 2x SG 8236 Side guide wire base long
- 2x SG 10643 Side guide wire \varnothing 1.3 mm x 4.2 m
- 1x SG 10669 Side guide double base long
- 1x SG 10673 Side guide double base short
- 1x SG 10701 Side guide double wire holder

Note:

- Light gaps increase when side-guide option is used
- Up to 15° from vertical

**C. CHILD SAFETY
DEVICE**

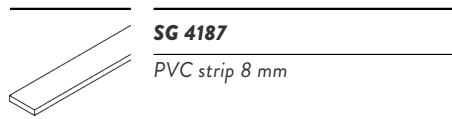


The child safety device SG 10482 releases the chain should the pulling force exceed 6 kg.

*Note:
System to be installed so chain loop of child safety device ends at least 60 cm above floor.*

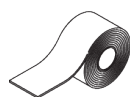
PARTS

A. STANDARD PARTS



SG 4187

PVC strip 8 mm



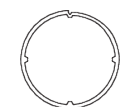
SG 4226

Double tape 30 mm



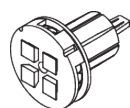
SG 10530

Bead chain metal ø 4 mm



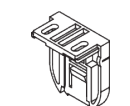
SG 10533

Tube ø 25 mm



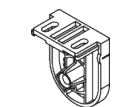
SG 10670

Chain drive, up to 1.3 kg fabric weight



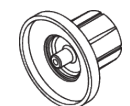
SG 10679

Bracket



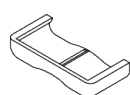
SG 10680

Bracket



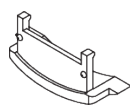
SG 10681

Tube adapter



SG 10683

Bracket cover



SG 10684

Cover



SG 10685

End cover



SG 10687

Bottom bar



SG 10709

Chain stop for ø 4 mm chain



SG 10731

Child safety retainer set

B. OPTIONAL PARTS



SG 8235

Side guide wire base short



SG 8236

Side guide wire base long



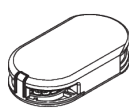
SG 8237

Side guide wire holder



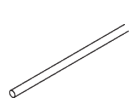
SG 8249

Side guide device



SG 10482

Child safety device set metal chain ø 4.0 mm



SG 10643

Side guide wire ø 1.3 mm x 4.2 m



SG 10669

Side guide double base long



SG 10673

Side guide double base short



SG 10676

Device



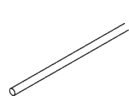
SG 10686

Side guide end cover



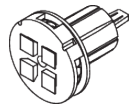
SG 10701

Side guide double wire holder



SG 10706

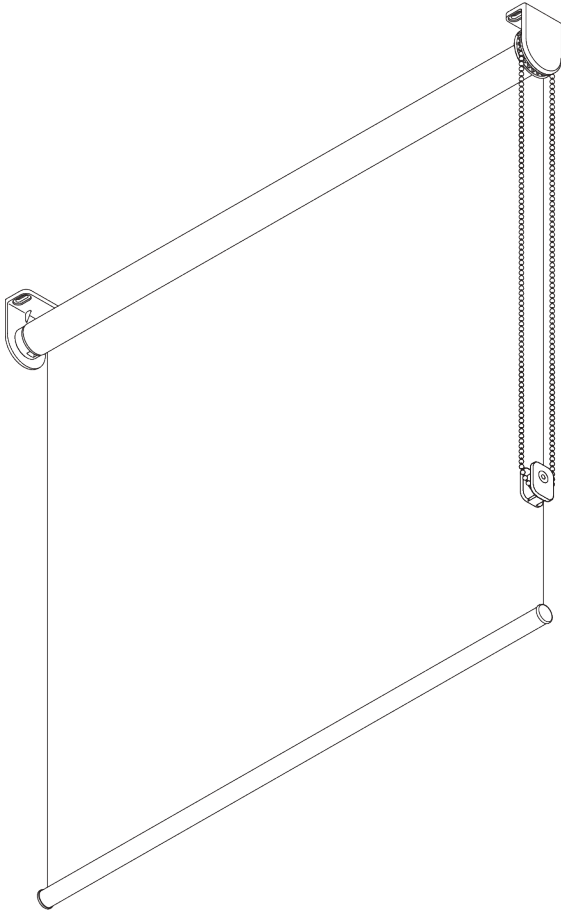
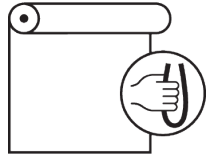
Side guide wire ø 1.3 mm x 2.6 m



SG 10710

Chain drive, up to 0.5 kg fabric weight

SG 4907



PRODUCT INFORMATION

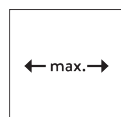
- **Operation:** chain
- **Range:** S
- **Fitting:** ceiling, wall, recess
- **Colours:** white RAL 9016 or grey RAL 7035
- **Fabrics:** refer to Silent Gliss fabric collection

Features:

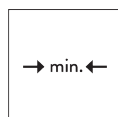
- Stainless steel bead chain
- Identical (left / right) metal click-in brackets
- Installation profile

SYSTEM SPECIFICATIONS

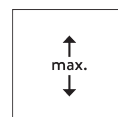
A. SYSTEM DIMENSIONS



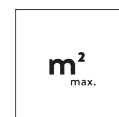
1.8 m



50 cm



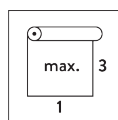
2.8 m



5 m²



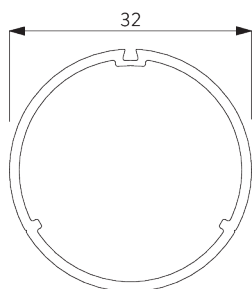
2.5 kg



Recommended width /
height ratio
max. 1:3

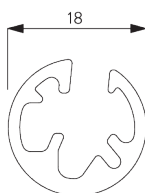
B. PROFILE

Profile information



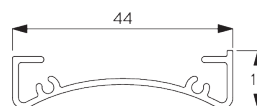
SG 4227

Tube ø 32 mm



SG 10872

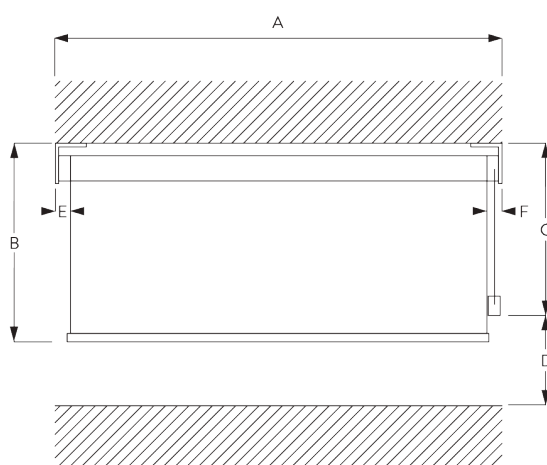
Bottom bar



SG 10534

Installation profile

C. HOW TO MEASURE



- A: System width
- B: System height
- C: Chain height
- D: Safety Retainer SG 10731 min. 150 cm above floor
- E: Light gap: 17 mm
- F: Light gap operation side: 17 mm

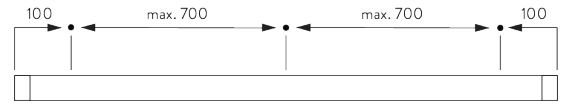
FITTING

A. FITTING INFORMATION

Fixing points

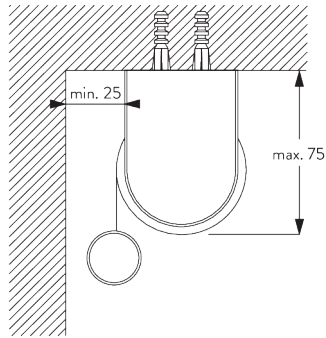


Brackets (wall / ceiling)

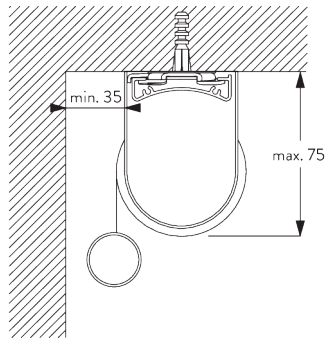


Installation profile SG 10534 (wall / ceiling)

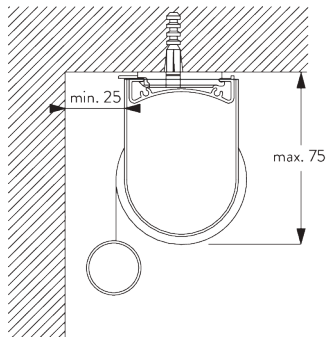
B. CEILING FITTING



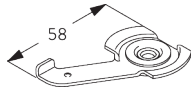
Brackets SG 10873



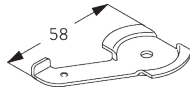
Installation profile SG 10534, brackets SG 11198 and clamps SG 3033 or SG 3044



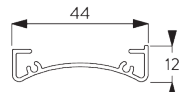
Installation profile SG 10534, brackets SG 11198 and click bracket SG 10539



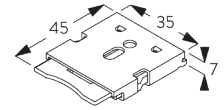
SG 3033
Clamp



SG 3044
Clamp



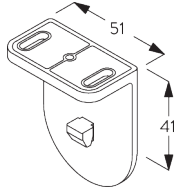
SG 10534
Installation profile



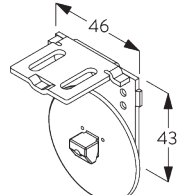
SG 10539
Bracket



SG 10574
Bracket cover

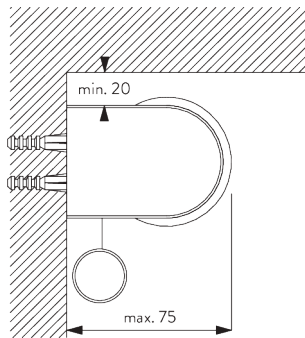


SG 10873
Bracket

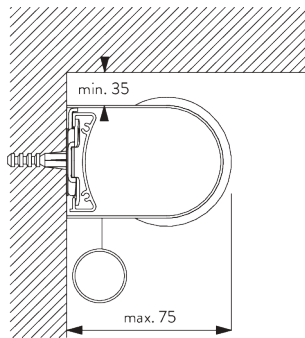


SG 11198
Bracket

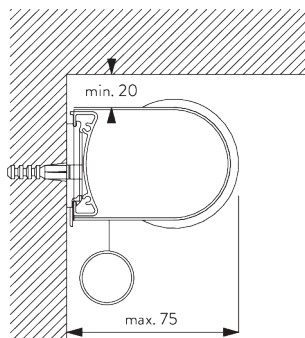
C. WALL FITTING



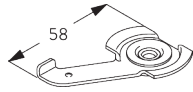
Brackets SG 10873



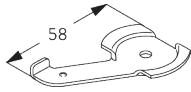
Installation profile SG 10534, brackets SG 11198 and clamps SG 3033 or SG 3044



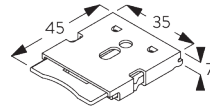
Installation profile SG 10534, brackets SG 11198 and click bracket SG 10539



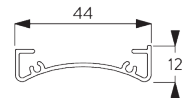
SG 3033
Clamp



SG 3044
Clamp



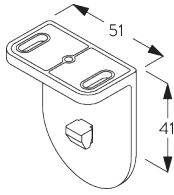
SG 10539
Bracket



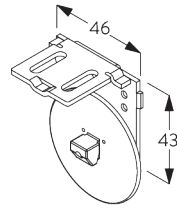
SG 10534
Installation profile



SG 10574
Bracket cover

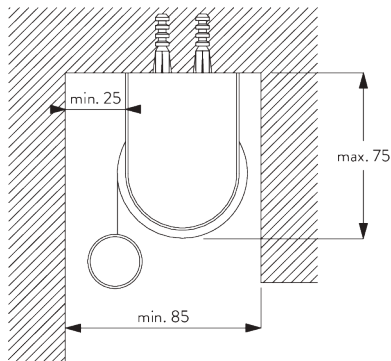


SG 10873
Bracket

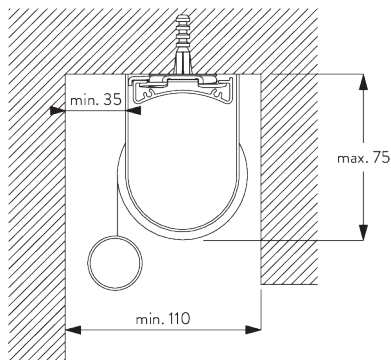


SG 11198
Bracket

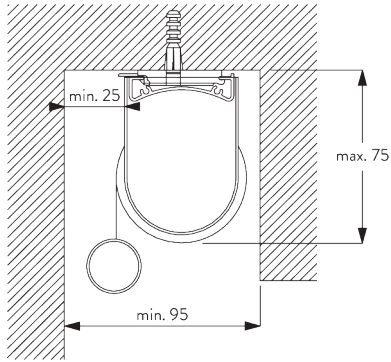
D. RECESS FITTING



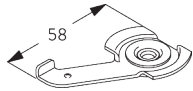
Brackets SG 10873



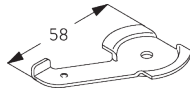
Installation profile SG 10534, brackets SG 11198 and clamps SG 3033 or SG 3044



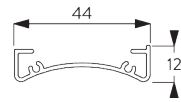
Installation profile SG 10534, brackets SG 11198 and click bracket SG 10539



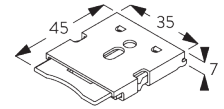
SG 3033
Clamp



SG 3044
Clamp



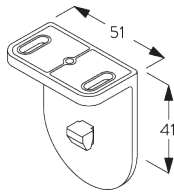
SG 10534
Installation profile



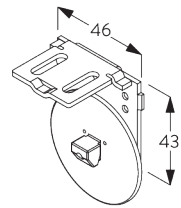
SG 10539
Bracket



SG 10574
Bracket cover



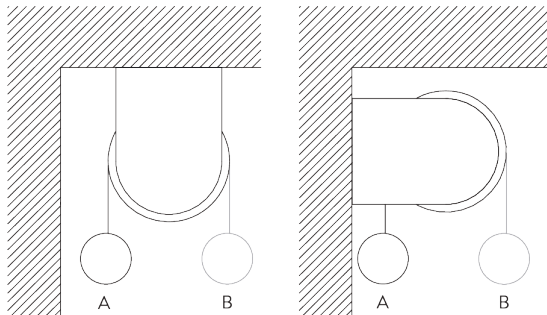
SG 10873
Bracket



SG 11198
Bracket

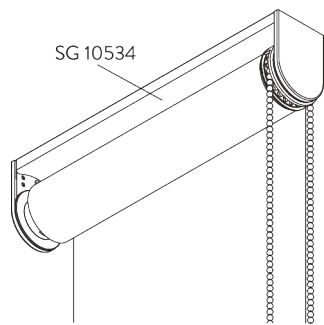
SYSTEM OPTIONS

A. FABRIC ROLL-OFF



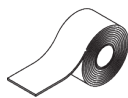
A: Fabric roll-off window side (standard)
B: Fabric roll-off room side (option)

B. INSTALLATION
PROFILE



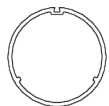
PARTS

A. STANDARD PARTS



SG 4226

Double tape 30 mm



SG 4227

Tube ø 32 mm



SG 4234

PVC strip 12 mm



SG 4845

Bead chain metal ø 4.5 mm



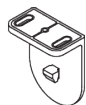
SG 10731

Child safety retainer set



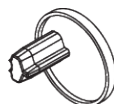
SG 10872

Bottom bar



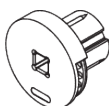
SG 10873

Bracket



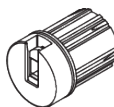
SG 10874

End cover



SG 10880

Chain drive



SG 10885

Tube adapter

B. OPTIONAL PARTS



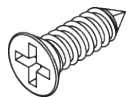
SG 3033

Clamp



SG 3044

Clamp



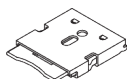
SG 10498

Countersunk screw 2.9x9.5



SG 10534

Installation profile



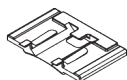
SG 10539

Bracket



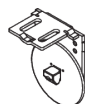
SG 10574

Bracket cover



SG 10690

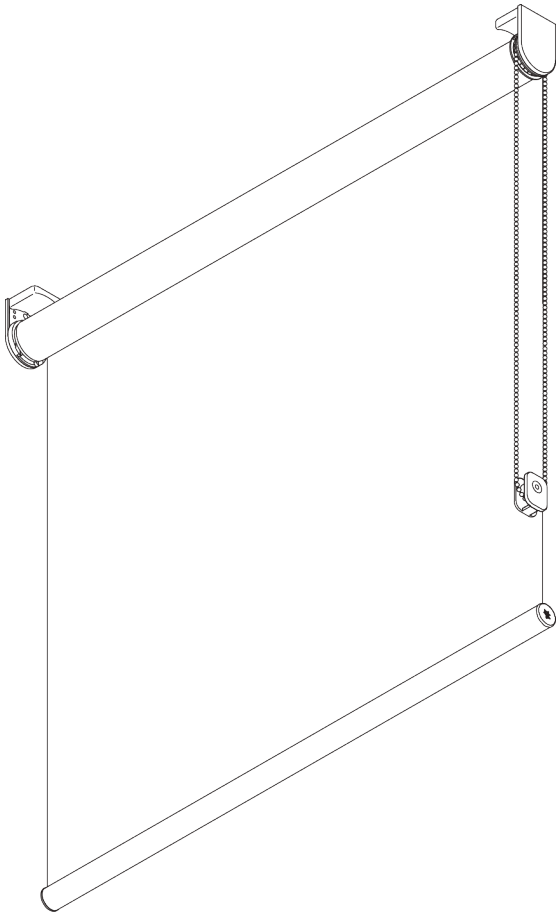
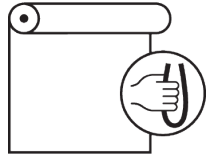
Spacer



SG 11198

Bracket

SG 4910



PRODUCT INFORMATION

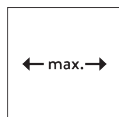
- **Operation:** chain
- **Range:** S - M
- **Fitting:** ceiling, wall, recess
- **Colours:** white RAL 9016, grey RAL 7035, black RAL 9005; special colours possible
- **Fabrics:** refer to Silent Gliss fabric collection

Features:

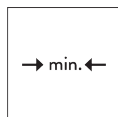
- Spring assisted, effortless operation
- 1-to-1 gear drive
- Stainless steel bead chain
- Click-in brackets
- Fascia, box, installation profile
- End stop controller

SYSTEM SPECIFICATIONS

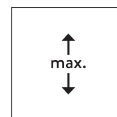
A. SYSTEM DIMENSIONS



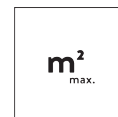
2.4 m



25 cm*,
Fascia / Box: 60 cm
*25 - 60 cm only with
installation profile
SG 10534



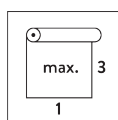
3 m



7.2 m²



3 kg



Recommended width /
height ratio
max. 1:3

Maximum system drop

Wall fitting (system drop on window side):

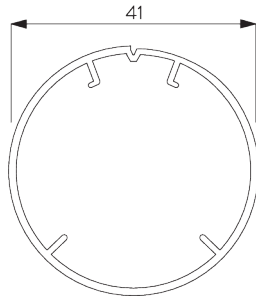
| | | | | | | | | | | | | | | | |
|------------------|----|------|------|------|------|------|------|------|------|------|------|------|------|------|------|
| Fabric thickness | mm | 0.15 | 0.20 | 0.25 | 0.30 | 0.35 | 0.40 | 0.45 | 0.50 | 0.55 | 0.60 | 0.65 | 0.70 | 0.75 | 0.80 |
| Max. system drop | cm | 300 | 300 | 300 | 300 | 300 | 300 | 300 | 300 | 300 | 290 | 270 | 250 | 230 | 220 |

Ceiling fitting / wall fitting (system drop on room side):

| | | | | | | | | | | | | | | | |
|------------------|----|------|------|------|------|------|------|------|------|------|------|------|------|------|------|
| Fabric thickness | mm | 0.15 | 0.20 | 0.25 | 0.30 | 0.35 | 0.40 | 0.45 | 0.50 | 0.55 | 0.60 | 0.65 | 0.70 | 0.75 | 0.80 |
| Max. system drop | cm | 300 | 300 | 300 | 300 | 300 | 300 | 300 | 300 | 300 | 300 | 300 | 300 | 300 | 280 |

B. PROFILE

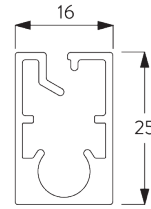
Profile information



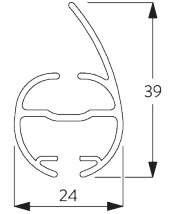
SG 10531
Tube ø 41 mm



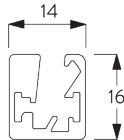
SG 10760
Bottom bar



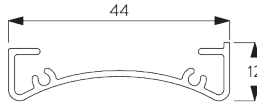
SG 10770
Bottom bar



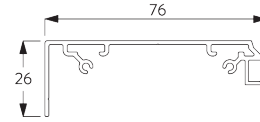
SG 4903
Bottom bar



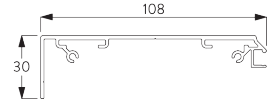
SG 11442
Bottom bar



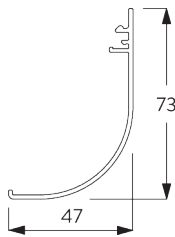
SG 10534
Installation profile



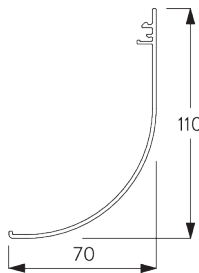
SG 11430
Installation profile fascia 73 mm



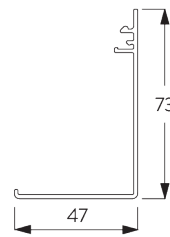
SG 11530
Installation profile fascia 110 mm



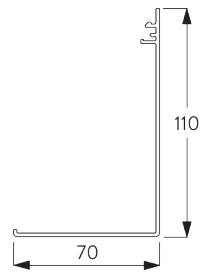
SG 11431
Fascia round 73 mm



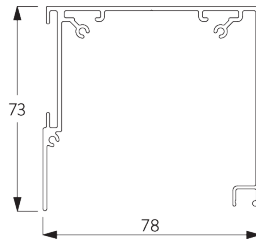
SG 11531
Fascia round 110 mm



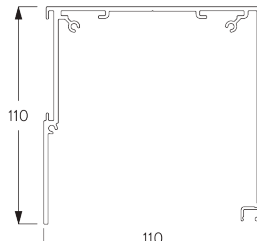
SG 11432
Fascia square 73 mm



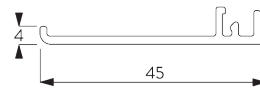
SG 11532
Fascia square 110 mm



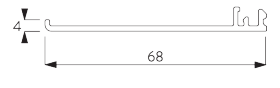
SG 11433
Box case 73 mm



SG 11533
Box case 110 mm



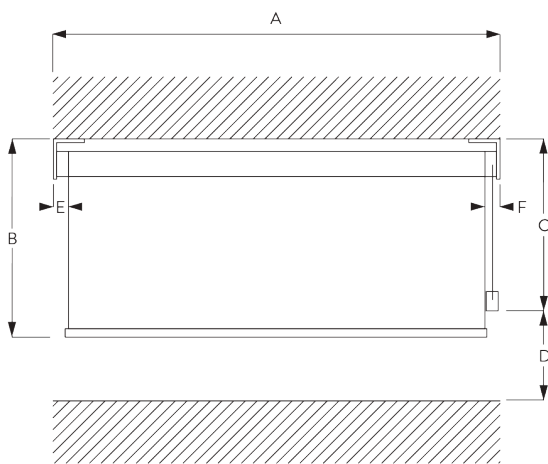
SG 11434
Box cover 73 mm



SG 11534
Box cover 110 mm

C. HOW TO MEASURE

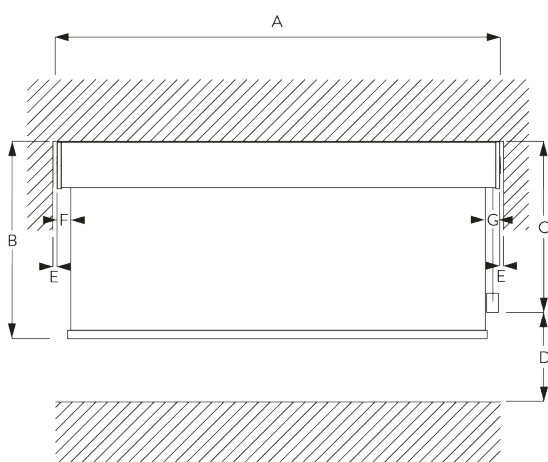
incl. bracket covers



- A: System width
- B: System height
- C: Chain height
- D: Safety Retainer SG 10731 min. 150 cm above floor
- E: Light gap: 13 mm
- F: Light gap operation side: 18 mm

Note:
All measurements include 2 mm for bracket cover per side!

Fascia / Box



- A: System width
- B: System height
- C: Chain height
- D: Safety Retainer SG 10731 min. 150 cm above floor
- E: Gap: min. 10 mm (when cover is used)
- F: Light gap: 15 mm
- G: Light gap operation side: 21 mm

FITTING

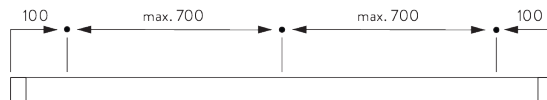
A. FITTING INFORMATION

For detailed fitting information, visit the [Silent Gliss website](#).

Fixing points

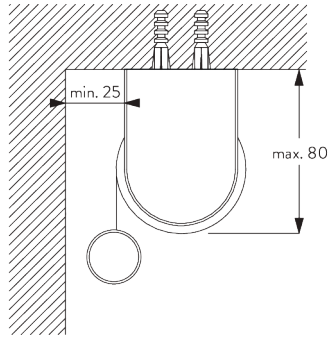


Brackets (wall / ceiling)

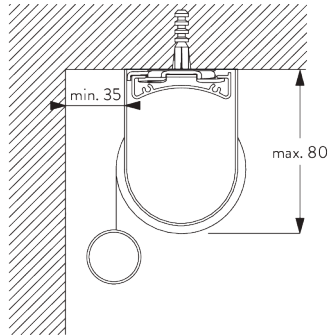


Fascia / box & installation profile SG 10534 (wall / ceiling)

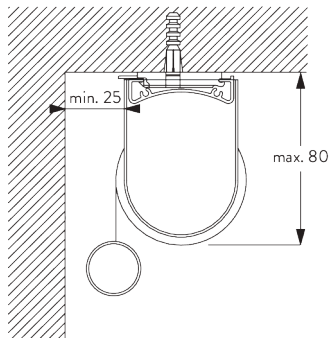
B. CEILING FITTING



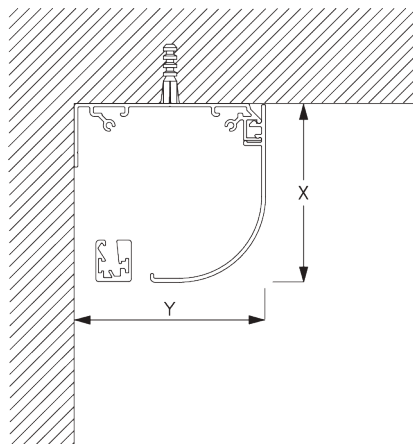
Brackets



Installation profile SG 10534 and clamps SG 3033 or SG 3044



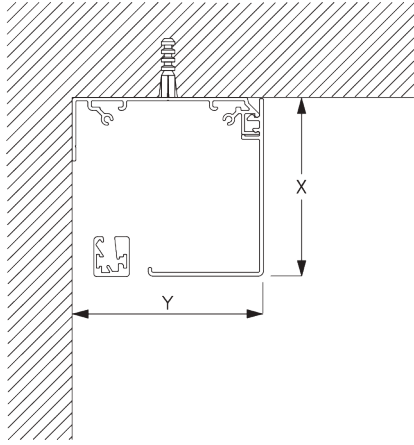
Installation profile SG 10534 and click bracket SG 10539



Fascia round

X = Fascia S 73 mm / Fascia L 110 mm

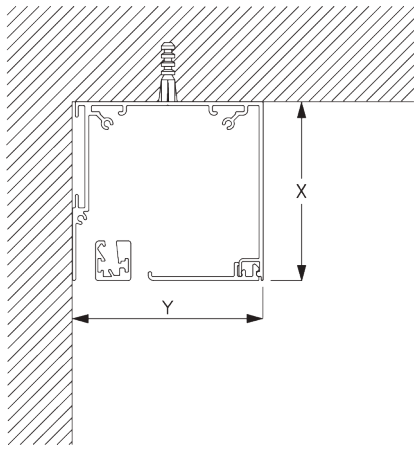
Y = Fascia S 78 mm / Fascia L 110 mm



Fascia square

X = Fascia S 73 mm / Fascia L 110 mm

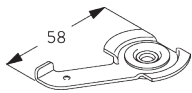
Y = Fascia S 78 mm / Fascia L 110 mm



Box

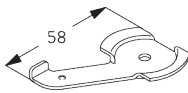
X = Box S 73 mm / Box L 110 mm

Y = Box S 78 mm / Box L 110 mm



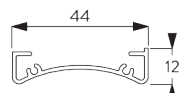
SG 3033

Clamp



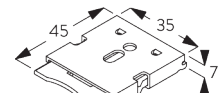
SG 3044

Clamp



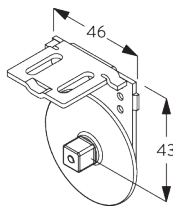
SG 10534

Installation profile



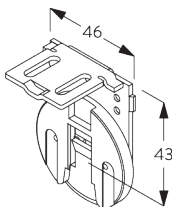
SG 10539

Bracket



SG 10542

Bracket



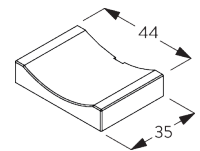
SG 10543

Bracket



SG 10574

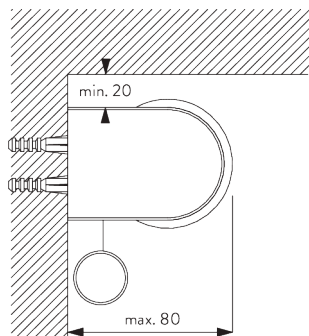
Bracket cover



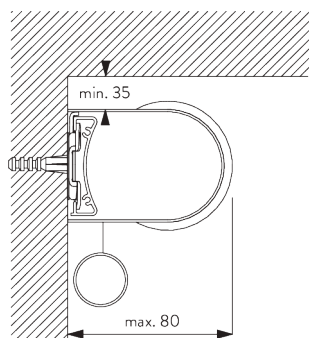
SG 10575

Bracket cover

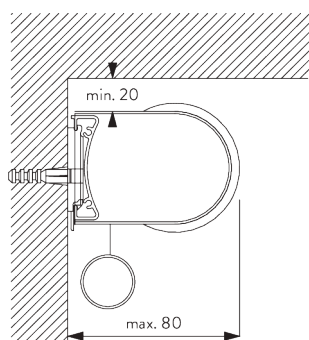
C. WALL FITTING



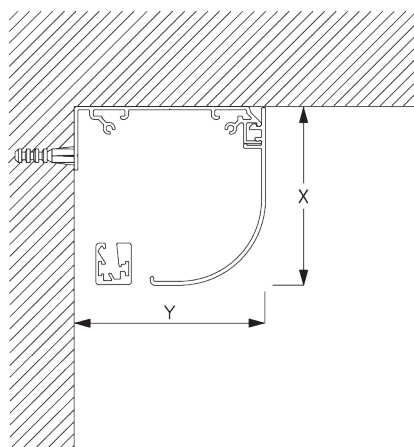
Brackets



Installation profile SG 10534 and clamps SG 3033 or SG 3044



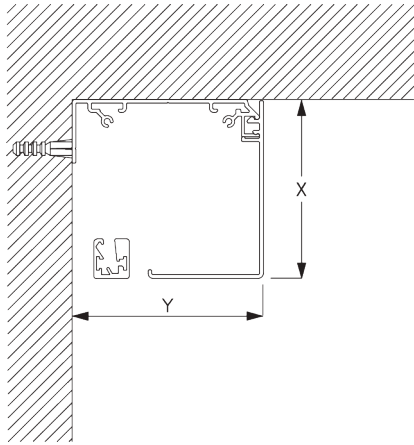
Installation profile SG 10534 and click bracket SG 10539



Fascia round

X = Fascia S 73 mm / Fascia L 110 mm

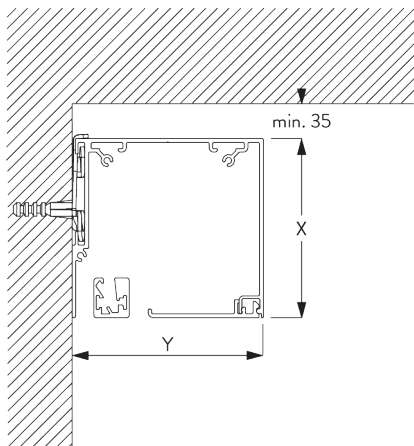
Y = Fascia S 78 mm / Fascia L 110 mm



Fascia square

X = Fascia S 73 mm / Fascia L 110 mm

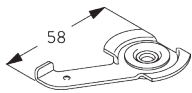
Y = Fascia S 78 mm / Fascia L 110 mm



Box S and clamp SG 3044 / Box L and clamp SG 11180

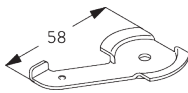
X = Box S 73 mm / Box L 110 mm

Y = Box S 78 mm / Box L 110 mm



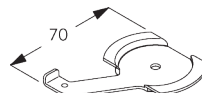
SG 3033

Clamp



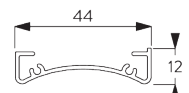
SG 3044

Clamp



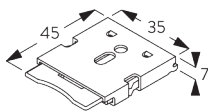
SG 11180

Clamp



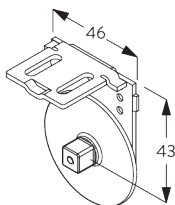
SG 10534

Installation profile



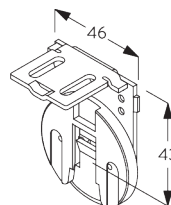
SG 10539

Bracket



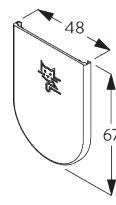
SG 10542

Bracket



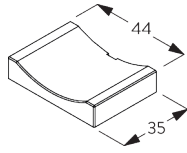
SG 10543

Bracket



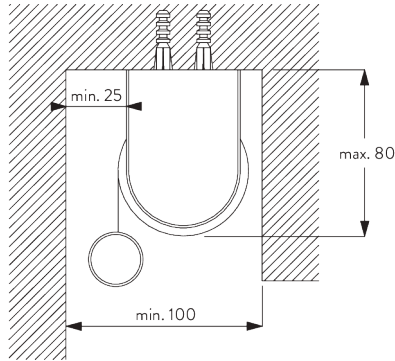
SG 10574

Bracket cover

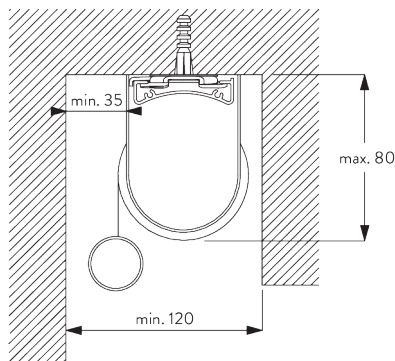


SG 10575
Bracket cover

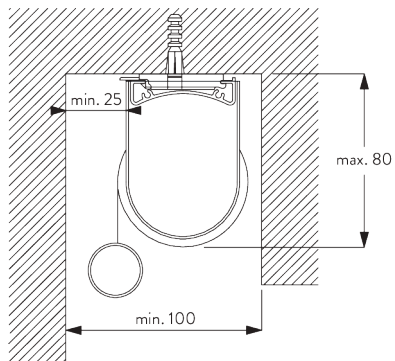
D. RECESS FITTING



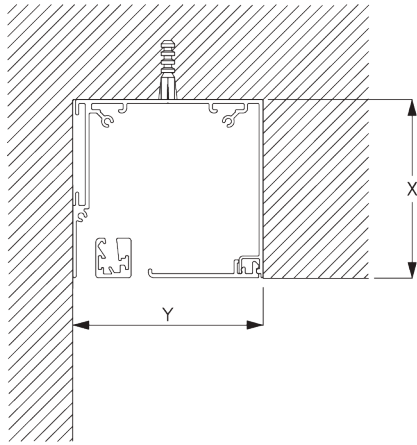
Brackets



Installation profile SG 10534 and clamps SG 3033 or SG 3044



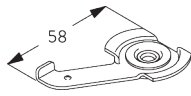
Installation profile SG 10534 and click bracket SG 10539



Box

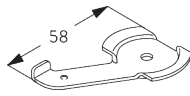
X = Box S 73 mm / Box L 110 mm

Y = Box S min. 79 mm / Box L min. 111 mm



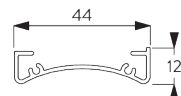
SG 3033

Clamp



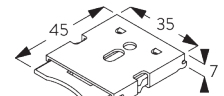
SG 3044

Clamp



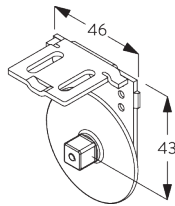
SG 10534

Installation profile



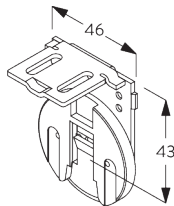
SG 10539

Bracket



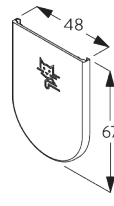
SG 10542

Bracket



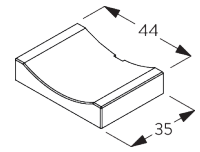
SG 10543

Bracket



SG 10574

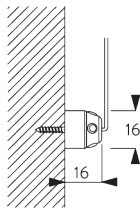
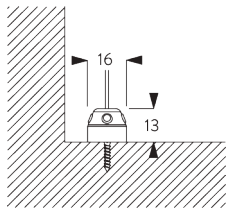
Bracket cover



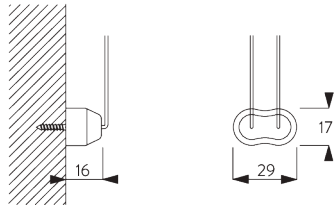
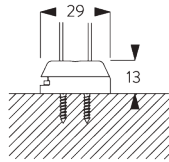
SG 10575

Bracket cover

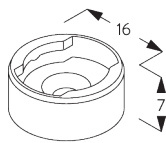
**E. FITTING WITH
SIDE GUIDE
OPTION**



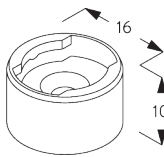
Single system



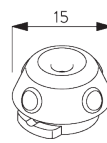
Double system (side-by-side installation)



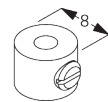
SG 8235
Side guide wire base short



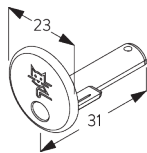
SG 8236
Side guide wire base long



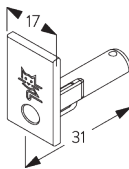
SG 8237
Side guide wire holder



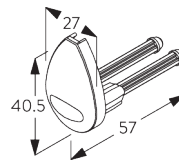
SG 8249
Side guide device



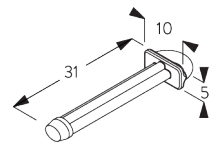
SG 10762
Side guide end cover



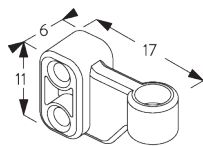
SG 10772
Side guide end cover



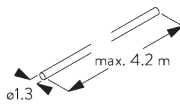
SG 4944
Side guide end cover



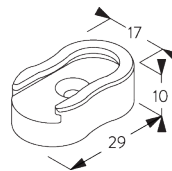
SG 10641
Side guide eyelet



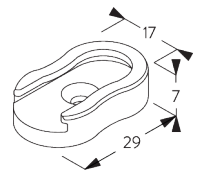
SG 10642
Side guide wire holder



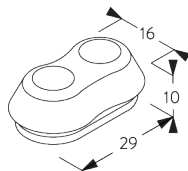
SG 10643
Side guide wire ø 1.3 mm x 4.2 m



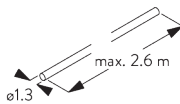
SG 10669
Side guide double base long



SG 10673
Side guide double base short



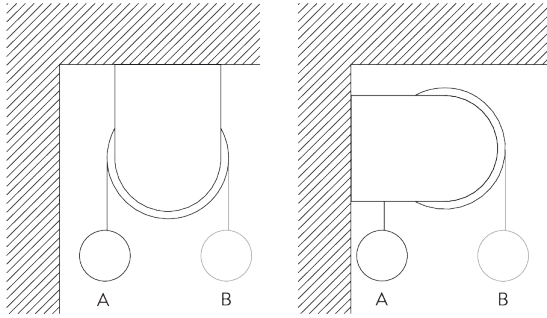
SG 10701
Side guide double wire holder



SG 10706
Side guide wire ø 1.3 mm x 2.6 m

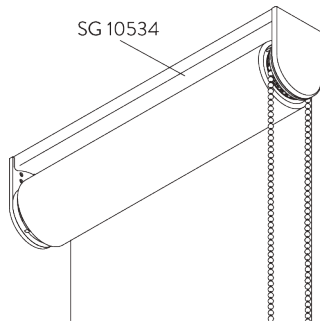
SYSTEM OPTIONS

A. FABRIC ROLL-OFF

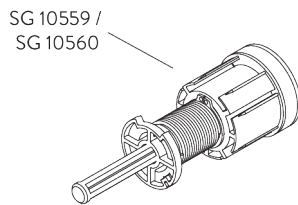


A: Fabric roll-off window side (standard)
B: Fabric roll-off room side (option)

B. INSTALLATION PROFILE

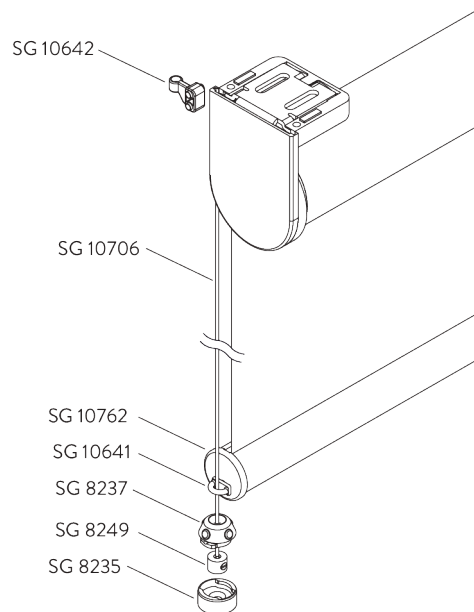


C. ADJUSTABLE END STOP



Setting of upper or lower end position.

D. SIDE GUIDES



Additional parts:

- 2x SG 8235 Side guide wire base short
- 2x SG 8237 Side guide wire holder
- 2x SG 8249 Side guide device
- 2x SG 10762 Side guide end cover round
- 2x SG 10641 Side guide eyelet
- 2x SG 10642 Side guide wire holder
- 2x SG 10706 Side guide wire \varnothing 1.3 mm x 2.6 m

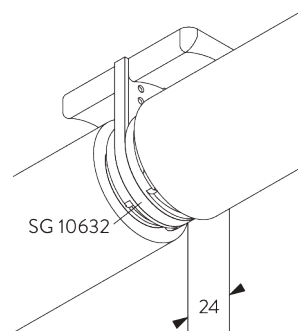
Optional parts:

- 2x SG 8236 Side guide wire base long
- 2x SG 10772 Side guide end cover square
- 2x SG 10643 Side guide wire \varnothing 1.3 mm x 4.2 m
- 1x SG 10669 Side guide double base long
- 1x SG 10673 Side guide double base short
- 1x SG 10701 Side guide double wire holder

Note:

- Light gaps increase when side-guide option is used
- Up to 15° from vertical

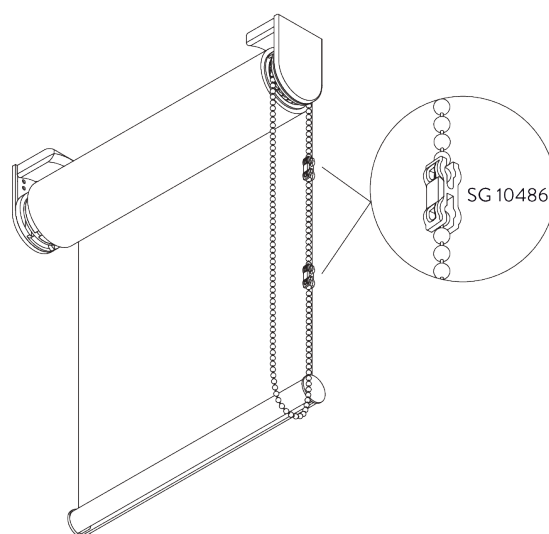
E. TWO SINGLE SYSTEMS SIDE-BY-SIDE



Additional parts:

- 1x SG 10632 Connection bracket cover

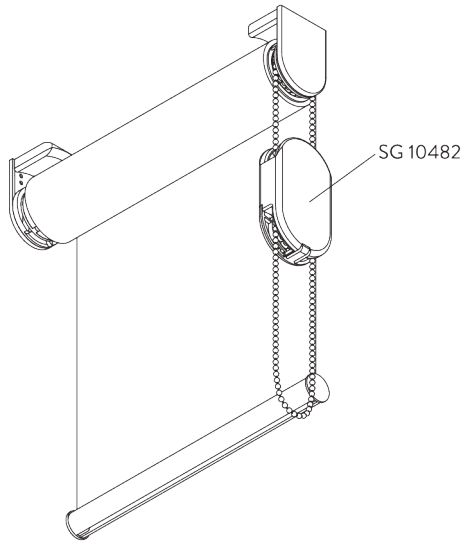
F. CHILD SAFETY



The chain break connector SG 10486 releases the chain should the pulling force exceed 6 kg.

Note:

- System to be installed so chain loop ends at least 60 cm above floor.

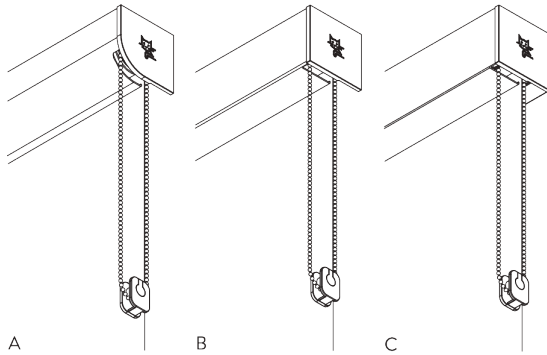


The child safety device SG 10482 releases the chain should the pulling force exceed 6 kg.

Note:

- System to be installed so chain loop of child safety device ends at least 60 cm above floor.

G. FASCIA / BOX



- A: Fascia round
- B: Fascia square
- C: Box

Size:

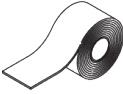





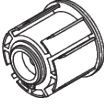

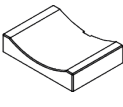
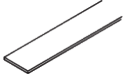



- S: 78 x 73 mm
- L: 110 x 110 mm

Note:





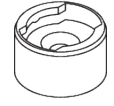
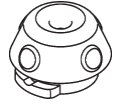
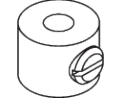
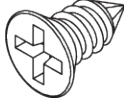
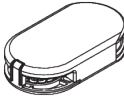
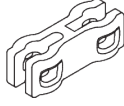


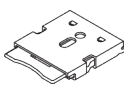

- Only applicable with bottom bar SG 11442

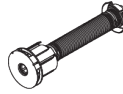
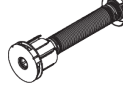
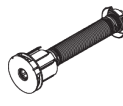
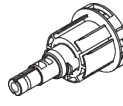
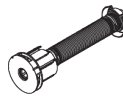
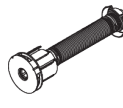
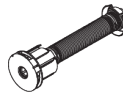
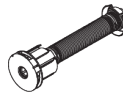
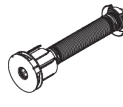
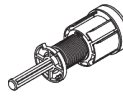
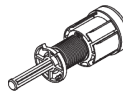

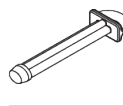
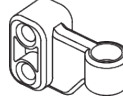
PARTS

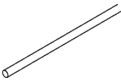
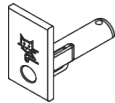
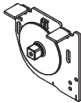






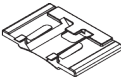
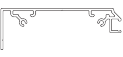








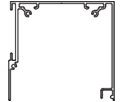

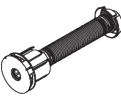

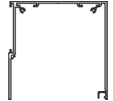



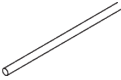


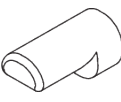





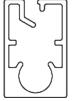




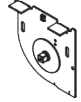
A. STANDARD PARTS

| | |
|---|--|
|  | SG 4226 Double tape 30 mm |
|  | SG 10530 Bead chain metal ø 4 mm |
|  | SG 10531 Tube ø 41 mm |
|  | SG 10542 Bracket |
|  | SG 10543 Bracket |
|  | SG 10547 Spring C left, 641 mm |
|  | SG 10556 Tube adapter |
|  | SG 10574 Bracket cover |
|  | SG 10575 Bracket cover |
|  | SG 10668 PVC strip 10 mm |
|  | SG 10731 Child safety retainer set |
|  | SG 10760 Bottom bar |
|  | SG 10761 End cover |

B. OPTIONAL PARTS

| | |
|---|---|
|  | SG 3033 Clamp |
|  | SG 3044 Clamp |
|  | SG 4903 Bottom bar |
|  | SG 8235 Side guide wire base short |
|  | SG 8236 Side guide wire base long |
|  | SG 8237 Side guide wire holder |
|  | SG 8249 Side guide device |
|  | SG 10139 Countersunk screw 2.9x6.5 |
|  | SG 10482 Child safety device set metal chain ø 4.0 mm |
|  | SG 10486 Child safety chain break connector set |
|  | SG 10498 Countersunk screw 2.9x9.5 |
|  | SG 10534 Installation profile |
|  | SG 10539 Bracket |
|  | SG 10545 Spring A left, 420 mm |

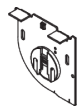
| | |
|---|---|
|  | SG 10546 Spring B left, 487 mm |
|  | SG 10548 Spring D left, 721 mm |
|  | SG 10549 Spring E left, 824 mm |
|  | SG 10550 Chain drive |
|  | SG 10551 Spring A right, 420 mm |
|  | SG 10552 Spring B right, 487 mm |
|  | SG 10553 Spring C right, 641 mm |
|  | SG 10554 Spring D right, 721 mm |
|  | SG 10555 Spring E right, 824 mm |
|  | SG 10559 End stop left threads |
|  | SG 10560 End stop right threads |
|  | SG 10632 Connection bracket cover |
|  | SG 10641 Side guide eyelet |
|  | SG 10642 Side guide wire holder |

| | | | | | |
|--|---|---|--|---|---|
|  | SG 10643 Side guide wire \varnothing 1.3 mm x 4.2 m |  | SG 10772 Side guide end cover |  | SG 11446 Bracket left 73 mm |
|  | SG 10669 Side guide double base long |  | SG 11178 End cover |  | SG 11447 Bracket right 73 mm |
|  | SG 10673 Side guide double base short |  | SG 11180 Clamp |  | SG 11448 Bracket left 73 mm |
|  | SG 10690 Spacer |  | SG 11430 Installation profile fascia 73 mm |  | SG 11449 Bracket right 73 mm |
|  | SG 10697 Spring F left, 921 mm |  | SG 11431 Fascia round 73 mm |  | SG 11530 Installation profile fascia 110 mm |
|  | SG 10698 Spring G left, 921 mm |  | SG 11432 Fascia square 73 mm |  | SG 11531 Fascia round 110 mm |
|  | SG 10699 Spring F right, 921 mm |  | SG 11433 Box case 73 mm |  | SG 11532 Fascia square 110 mm |
|  | SG 10700 Spring G right, 921 mm |  | SG 11434 Box cover 73 mm |  | SG 11533 Box case 110 mm |
|  | SG 10701 Side guide double wire holder |  | SG 11437 Bracket cover round left 73 mm |  | SG 11534 Box cover 110 mm |
|  | SG 10706 Side guide wire \varnothing 1.3 mm x 2.6 m |  | SG 11438 Bracket cover round right 73 mm |  | SG 11537 Bracket cover round left 110 mm |
|  | SG 10707 End stop |  | SG 11439 Bracket cover square left 73 mm |  | SG 11538 Bracket cover round right 110 mm |
|  | SG 10762 Side guide end cover |  | SG 11440 Bracket cover square right 73 mm |  | SG 11539 Bracket cover square left 110 mm |
|  | SG 10770 Bottom bar |  | SG 11442 Bottom bar |  | SG 11540 Bracket cover square right 110 mm |
|  | SG 10771 End cover |  | SG 11443 End cover |  | SG 11546 Bracket left 110 mm |



SG 11547

Bracket right 110 mm



SG 11548

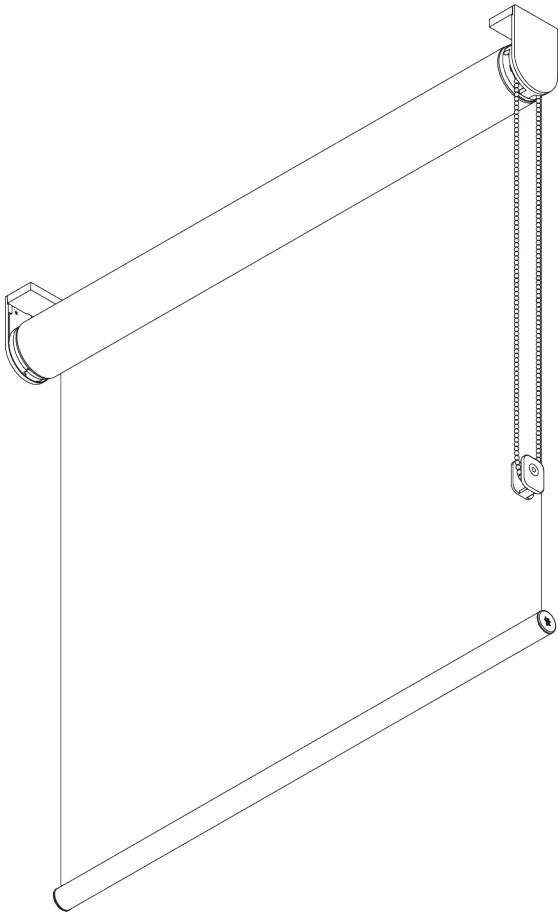
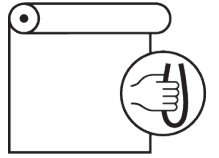
Bracket left 110 mm



SG 11549

Bracket right 110 mm

SG 4930



PRODUCT INFORMATION

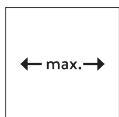
- **Operation:** chain
- **Range:** M - L
- **Fitting:** ceiling, wall, recess
- **Colours:** white RAL 9016, grey RAL 7035, black RAL 9005; special colours possible
- **Fabrics:** refer to Silent Gliss fabric collection

Features:

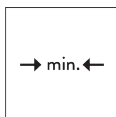
- 5-to-1 gear drive
- Stainless steel bead chain
- Two connected systems
- Click-in brackets
- Fascia, box, installation profile

SYSTEM SPECIFICATIONS

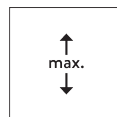
A. SYSTEM DIMENSIONS



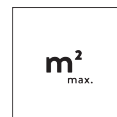
Single system: 3.4 m
Double system: 6.8 m



65 cm



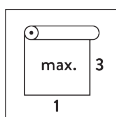
5 m



Single system: 17 m²
Double system: 30 m²



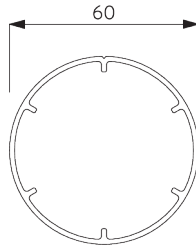
7 kg



Recommended width /
height ratio
max. 1:3

B. PROFILE

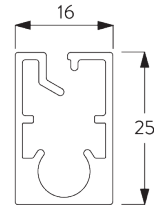
Profile information



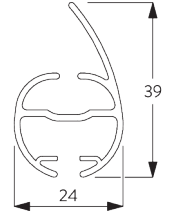
SG 11037
Tube ø 60 mm



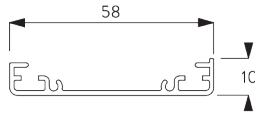
SG 10760
Bottom bar



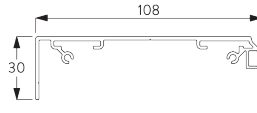
SG 10770
Bottom bar



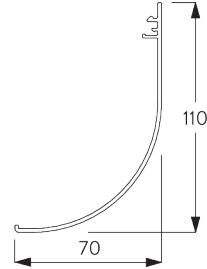
SG 4903
Bottom bar



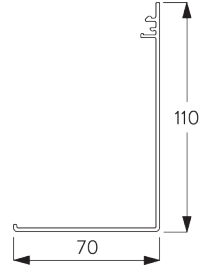
SG 11181
Installation profile



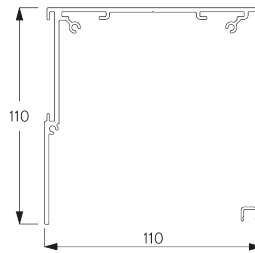
SG 11530
Installation profile fascia 110 mm



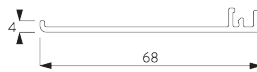
SG 11531
Fascia round 110 mm



SG 11532
Fascia square 110 mm



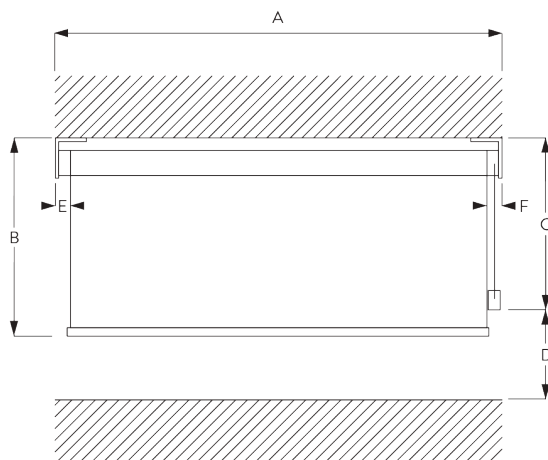
SG 11533
Box case 110 mm



SG 11534
Box cover 110 mm

C. HOW TO MEASURE

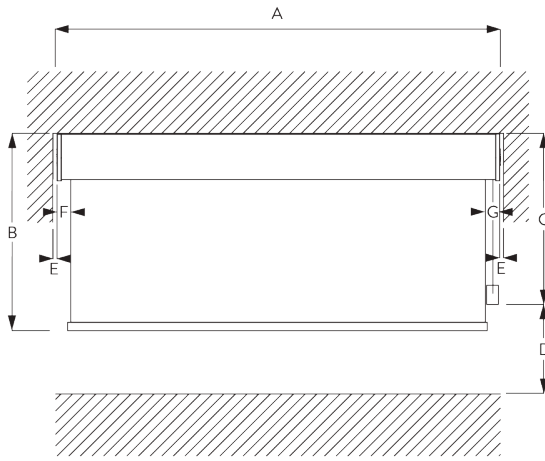
incl. bracket covers



- A: System width
- B: System height
- C: Chain height
- D: Safety Retainer SG 10731 min. 150 cm above floor
- E: Light gap: 18 mm
- F: Light gap operation side: 25 mm

Note:
All measurements include 2 mm for bracket cover per side!

Fascia / Box



- A: System width
- B: System height
- C: Chain height
- D: Safety Retainer SG 10731 min. 150 cm above floor
- E: Gap: min. 10 mm (when cover is used)
- F: Light gap: 20 mm
- G: Light gap operation side: 27 mm

FITTING

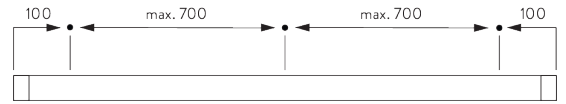
A. FITTING INFORMATION

For detailed fitting information, visit the [Silent Gliss website](#).

Fixing points

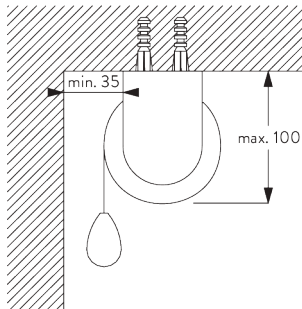


Brackets (wall / ceiling)

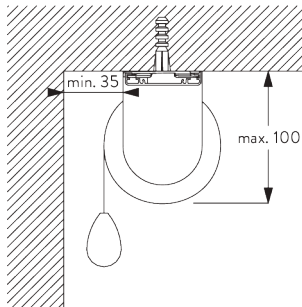


Fascia / box & installation profile SG 11181 (wall / ceiling)

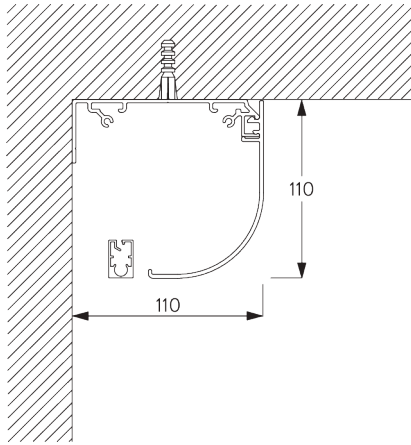
B. CEILING FITTING



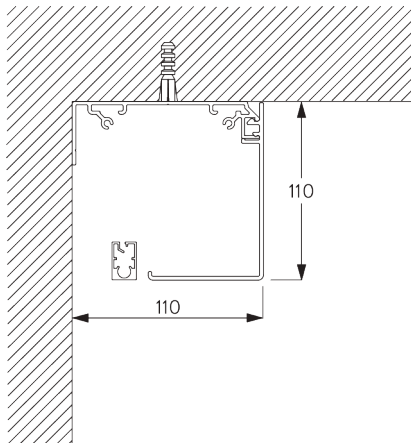
Brackets



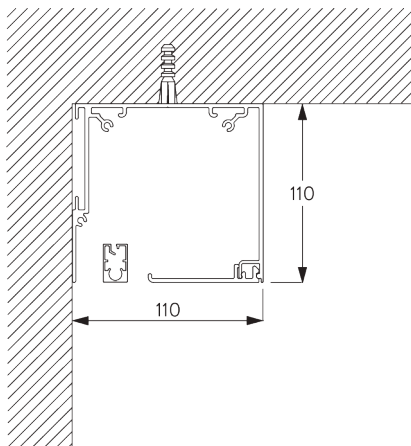
Installation profile SG 11181 and clamp SG 11180



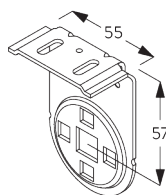
Fascia round



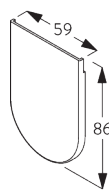
Fascia square



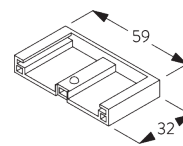
Box



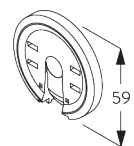
SG 11172
Bracket



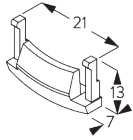
SG 11173
Bracket cover



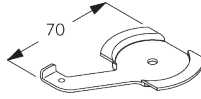
SG 11174
Bracket cover



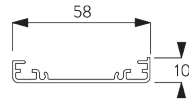
SG 11175
Click flange



SG 11179
Cover

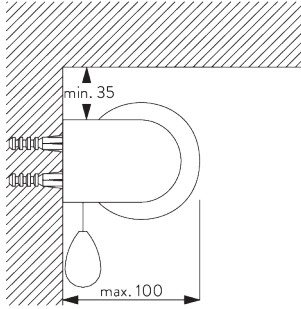


SG 11180
Clamp

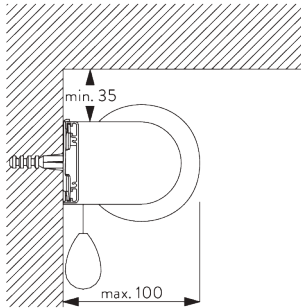


SG 11181
Installation profile

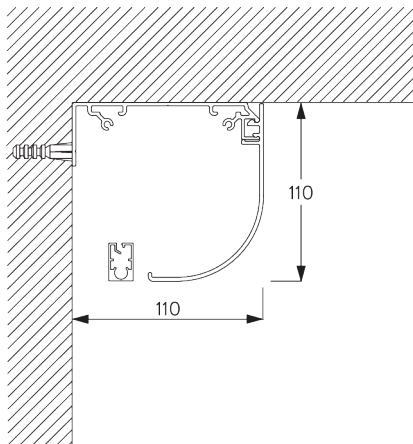
C. WALL FITTING



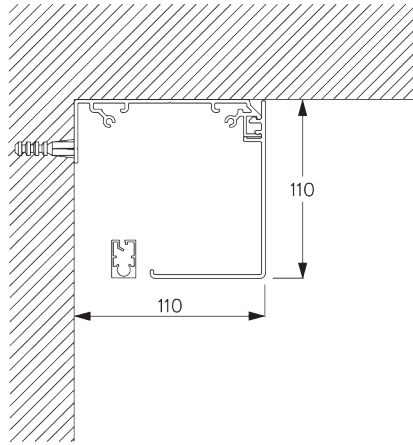
Brackets



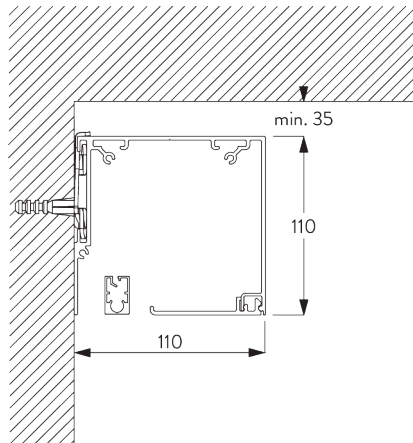
Installation profile SG 11181 and clamp SG 11180



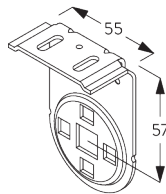
Fascia round



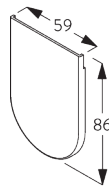
Fascia square



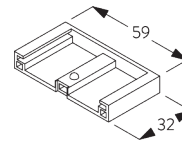
Box and clamp SG 11180



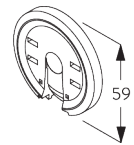
SG 11172
Bracket



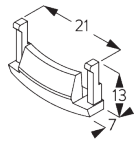
SG 11173
Bracket cover



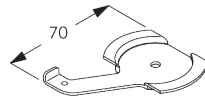
SG 11174
Bracket cover



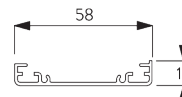
SG 11175
Click flange



SG 11179
Cover

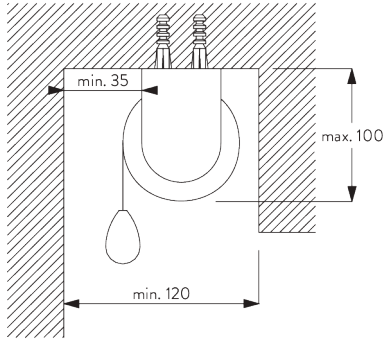


SG 11180
Clamp

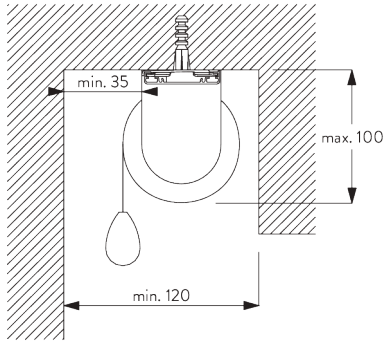


SG 11181
Installation profile

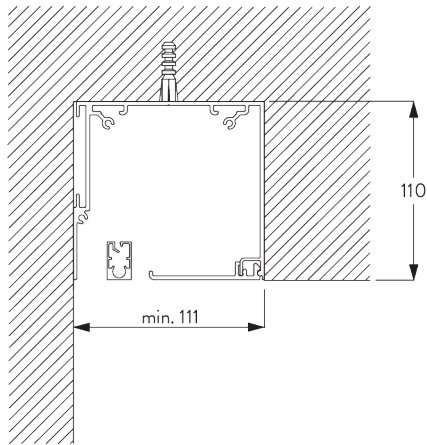
D. RECESS FITTING



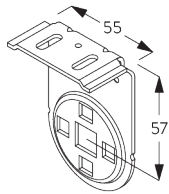
Brackets



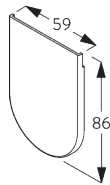
Installation profile SG 11181 and clamp SG 11180



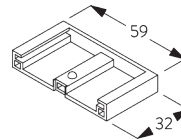
Box



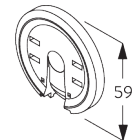
SG 11172
Bracket



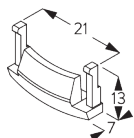
SG 11173
Bracket cover



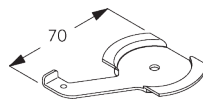
SG 11174
Bracket cover



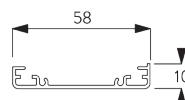
SG 11175
Click flange



SG 11179
Cover

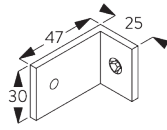
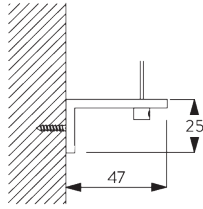


SG 11180
Clamp

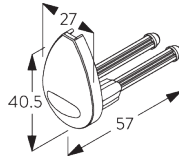


SG 11181
Installation profile

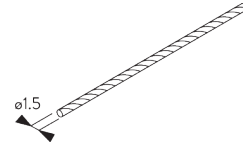
**E. FITTING WITH
SIDE GUIDE
OPTION**



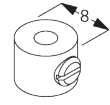
SG 3036
Bracket 47 mm



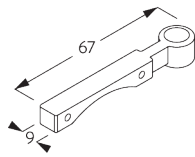
SG 4944
Side guide end cover



SG 4948
Side guide wire ø 1.5 mm



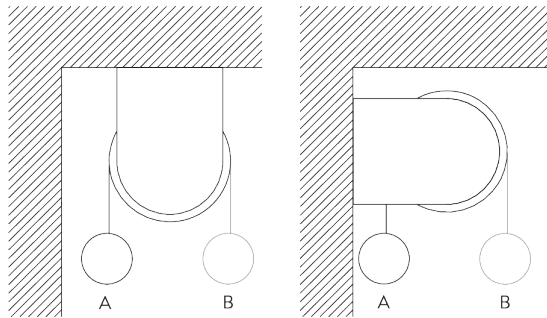
SG 8249
Side guide device



SG 11182
Side guide wire holder

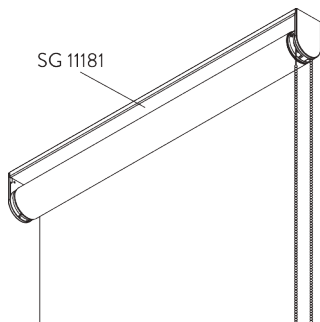
SYSTEM OPTIONS

A. FABRIC ROLL-OFF

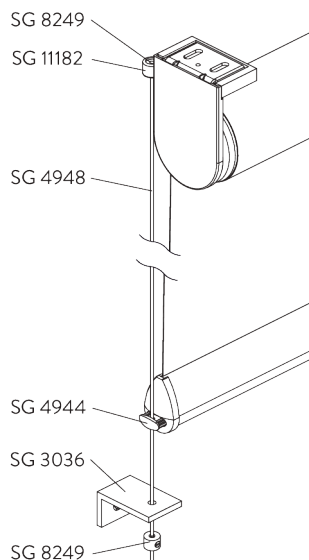


A: Fabric roll-off window side (standard)
B: Fabric roll-off room side (option)

**B. INSTALLATION
PROFILE**



C. SIDE GUIDES



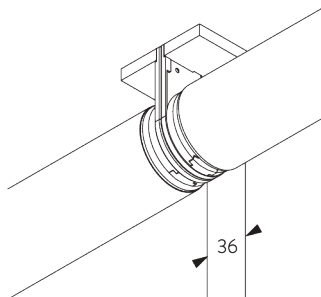
Additional parts:

- 2x SG 3036 Bracket
- 2x SG 4944 Side guide end cover
- 2x SG 4948 Side guide wire \varnothing 1.5 mm
- 4x SG 8249 Side guide device
- 2x SG 11182 Side guide wire holder

Note:

- Light gaps increase when side-guide option is used
- Up to 15° from vertical
- Only applicable with bottom bar SG 4903

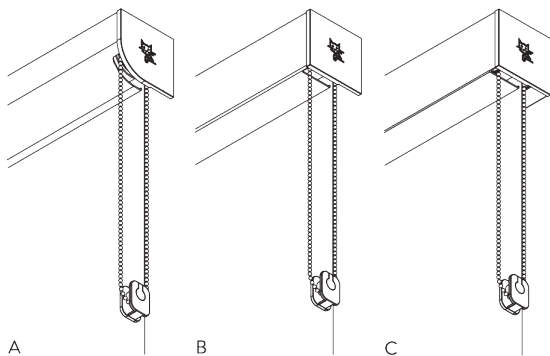
D. TWO CONNECTED SYSTEMS



Additional parts:

- 1x SG 11175 Click flange
- 1x SG 11183 Connecting bolt
- 2x SG 11184 Connection bracket cover
- 1x SG 11195 Connection tube adapter

E. FASCIA / BOX



- A: Fascia round
- B: Fascia square
- C: Box

Size:

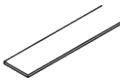
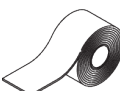






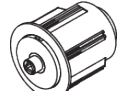
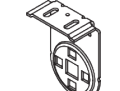

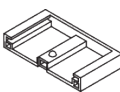

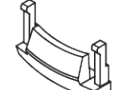
- 110 x 110 mm

Note:

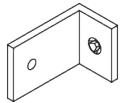

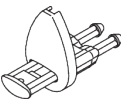

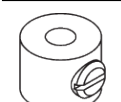
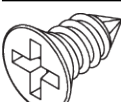

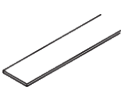

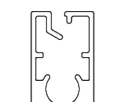
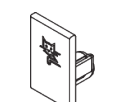

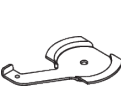
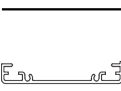
- Only applicable with bottom bar SG 10770
- Not possible with connected systems

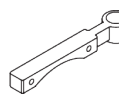
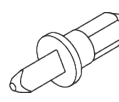

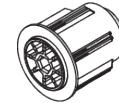
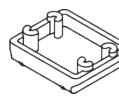

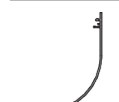





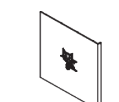

PARTS

A. STANDARD PARTS

| | |
|---|--|
|  | SG 4223 PVC strip 14 mm |
|  | SG 4226 Double tape 30 mm |
|  | SG 4845 Bead chain metal ø 4.5 mm |
|  | SG 10731 Child safety retainer set |
|  | SG 10760 Bottom bar |
|  | SG 10761 End cover |
|  | SG 10962 Chain drive |
|  | SG 11037 Tube ø 60 mm |
|  | SG 11165 Tube adapter |
|  | SG 11172 Bracket |
|  | SG 11173 Bracket cover |
|  | SG 11174 Bracket cover |
|  | SG 11175 Click flange |
|  | SG 11179 Cover |

B. OPTIONAL PARTS

| | |
|---|--|
|  | SG 3036 Bracket 47 mm |
|  | SG 4903 Bottom bar |
|  | SG 4944 Side guide end cover |
|  | SG 4948 Side guide wire ø 1.5 mm |
|  | SG 8249 Side guide device |
|  | SG 10139 Countersunk screw 2.9x6.5 |
|  | SG 10498 Countersunk screw 2.9x9.5 |
|  | SG 10668 PVC strip 10 mm |
|  | SG 10707 End stop |
|  | SG 10770 Bottom bar |
|  | SG 10771 End cover |
|  | SG 11178 End cover |
|  | SG 11180 Clamp |
|  | SG 11181 Installation profile |

| | |
|---|---|
|  | SG 11182 Side guide wire holder |
|  | SG 11183 Connection bolt |
|  | SG 11184 Connection bracket cover |
|  | SG 11195 Connection tube adapter |
|  | SG 11311 Bracket spacer |
|  | SG 11530 Installation profile fascia 110 mm |
|  | SG 11531 Fascia round 110 mm |
|  | SG 11532 Fascia square 110 mm |
|  | SG 11533 Box case 110 mm |
|  | SG 11534 Box cover 110 mm |
|  | SG 11537 Bracket cover round left 110 mm |
|  | SG 11538 Bracket cover round right 110 mm |
|  | SG 11539 Bracket cover square left 110 mm |
|  | SG 11540 Bracket cover square right 110 mm |



SG 11544

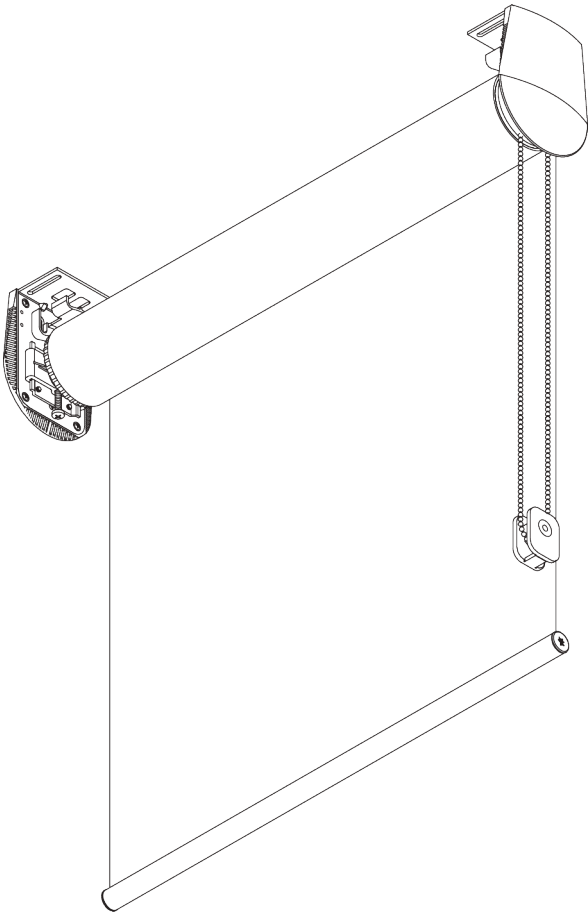
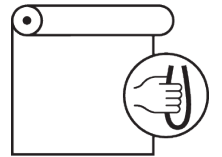
Bracket left 110 mm



SG 11545

Bracket right 110 mm

SG 4840



PRODUCT INFORMATION

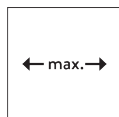
- **Operation:** chain
- **Range:** L
- **Fitting:** ceiling, wall, recess
- **Colours:** white RAL 9016 or anodised aluminum, special colours possible
- **Fabrics:** refer to Silent Gliss fabric collection

Features:

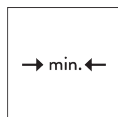
- Stainless steel bead chain
- Stainless steel brackets, adjustable for vertical alignment of fabric

SYSTEM SPECIFICATIONS

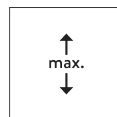
A. SYSTEM DIMENSIONS



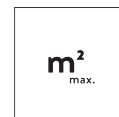
Tube SG 4901: 4 m
Tube SG 4957: 5 m



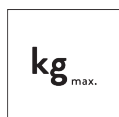
50 cm



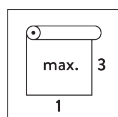
Tube SG 4901: 6 m
Tube SG 4957: 3.75 m



15 m²



Tube SG 4901: 12.5 kg
Tube SG 4957: 9.5 kg



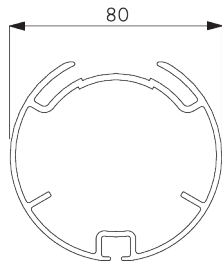
Recommended width /
height ratio
max. 1:3

Maximum surface area

| | | A → | | | | | | | | |
|-----|-------|-----|-------|-----|------------------------|-----|-------|-----|--------------------------|--|
| | | 2 m | 2.5 m | 3 m | 3.5 m | 4 m | 4.5 m | 5 m | | |
| B ↓ | 2 m | ● | ● | ● | ● | ○ | ○ | ○ | ● SG 4901 (ø 80 mm) | |
| | 2.5 m | ● | ● | ● | ● | ○ | ○ | ○ | | |
| | 3 m | ● | ● | ● | ● | ○ | ○ | ○ | | |
| | 3.5 m | ● | ● | ● | ● | ○ | | | | |
| | 4 m | ● | ● | ● | ● | | | | ○ SG 4957 (ø 110 mm) | |
| | 4.5 m | ● | ● | ● | | | | | | |
| | 5 m | ● | ● | ● | | | | | | |
| | 5.5 m | ● | ● | | max. 15 m ² | | | | | |
| 6 m | ● | ● | | | | | | | | |

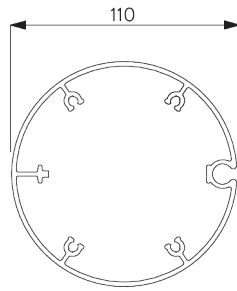
B. PROFILE

Profile information



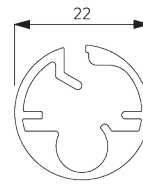
SG 4901

Tube ø 80 mm



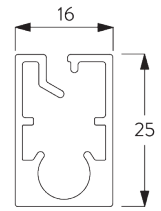
SG 4957

Tube ø 110 mm



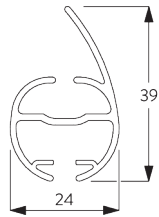
SG 10760

Bottom bar



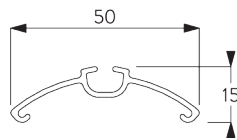
SG 10770

Bottom bar



SG 4903

Bottom bar

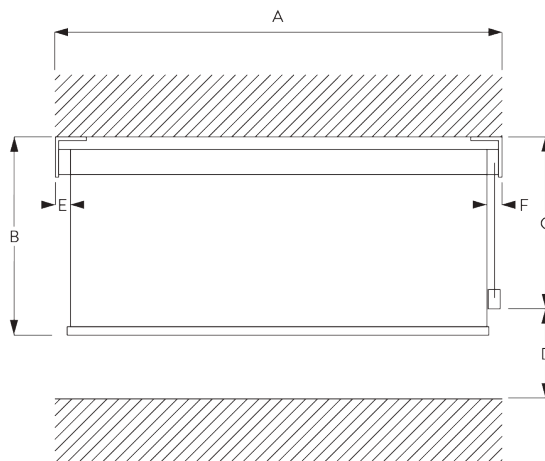


SG 4902

Profile

C. HOW TO MEASURE

incl. bracket covers
(15 mm)



A: System width

B: System height

C: Chain height

D: Safety Retainer SG 10731 min. 150 cm above floor

Tube SG 4901 (ø 80 mm):

E: Light gap: 44 mm

F: Light gap operation side: 40 mm

Tube SG 4957 (ø 110 mm):

E: Light gap: 42 mm

F: Light gap operation side: 42 mm

Note:

All measurements include 15 mm for bracket cover per side!

FITTING

A. FITTING INFORMATION

Fixing points

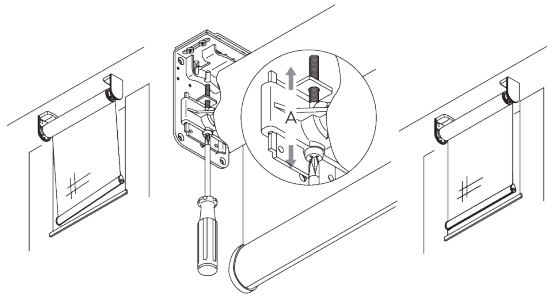
For detailed fitting information, visit the Silent Gliss website.



*30 mm without cover

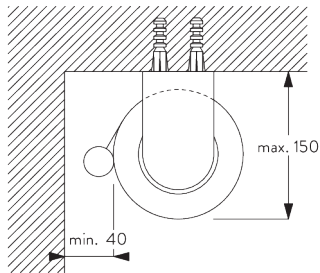
*43 mm with cover

**Adjustable brackets
(for vertical
adjustments)**

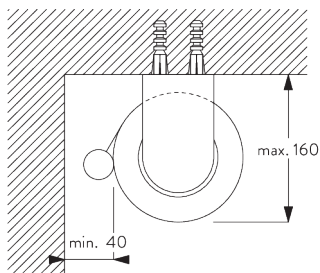


Vertical adjustment of fabric to the window frame.

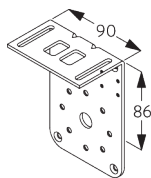
B. CEILING FITTING



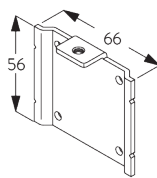
Tube SG 4901 (ø 80 mm)



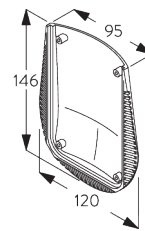
Tube SG 4957 (ø 110 mm)



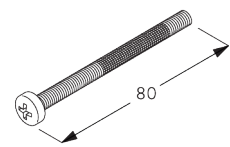
SG 4904
Bracket (set SG 4949)



SG 4906
Plate (set SG 4949)

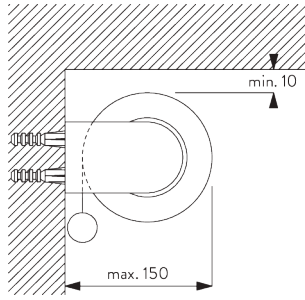


SG 4956
Bracket cover

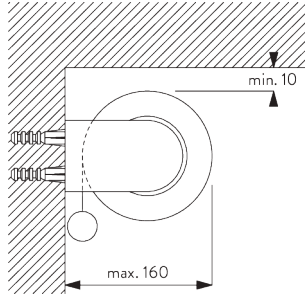


SG 4966
Special screw (set SG 4949)

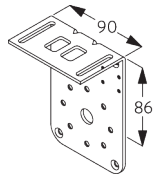
C. WALL FITTING



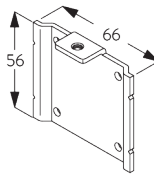
Tube SG 4901 (ø 80 mm)



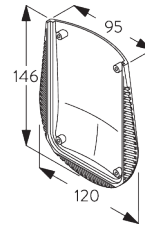
Tube SG 4957 (ø 110 mm)



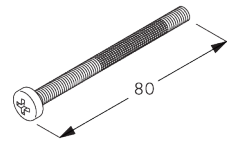
SG 4904
Bracket (set SG 4949)



SG 4906
Plate (set SG 4949)

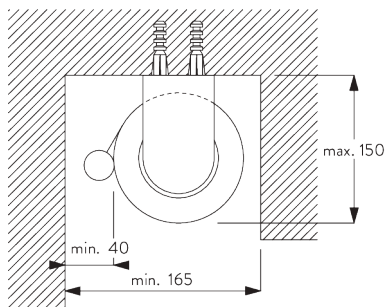


SG 4956
Bracket cover

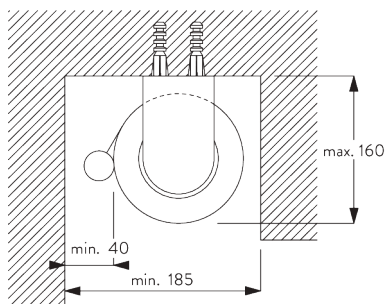


SG 4966
Special screw (set SG 4949)

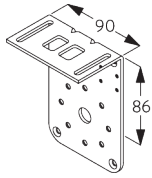
D. RECESS FITTING



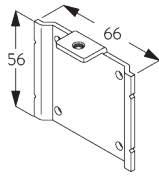
Tube SG 4901 (ø 80 mm)



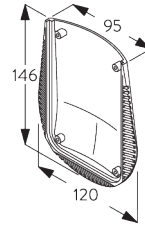
Tube SG 4957 (ø 110 mm)



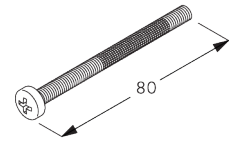
SG 4904
Bracket (set SG 4949)



SG 4906
Plate (set SG 4949)

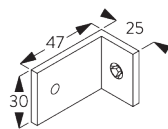
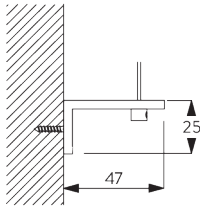


SG 4956
Bracket cover

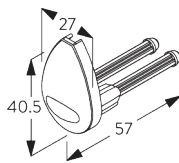


SG 4966
Special screw (set SG 4949)

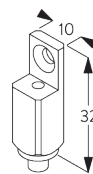
**E. FITTING WITH
SIDE GUIDE
OPTION**



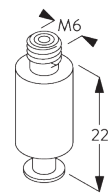
SG 3036
Bracket 47 mm



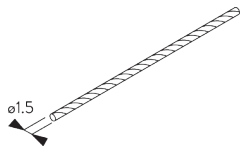
SG 4944
Side guide end cover



SG 4946
Side guide wire rope fastener



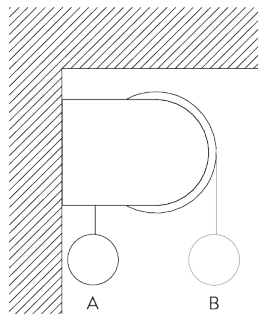
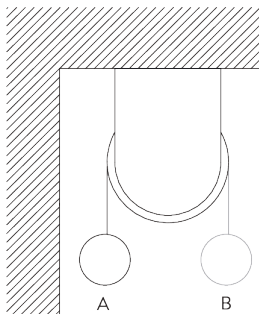
SG 4947
Side guide wire rope fastener



SG 4948
Side guide wire ø 1.5 mm

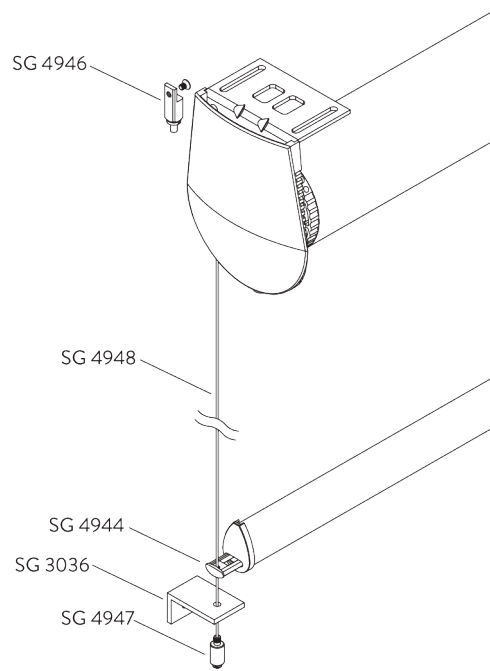
SYSTEM OPTIONS

A. FABRIC ROLL-OFF



A: Fabric roll-off window side (standard)
B: Fabric roll-off room side (option)

B. SIDE GUIDES



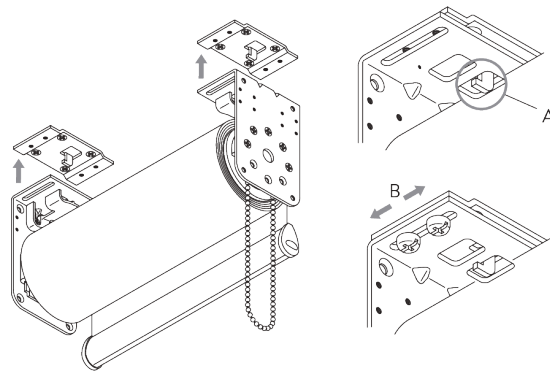
Additional parts:

- 2x SG 3036 Bracket 47 mm
- 2x SG 4944 Side guide end cover
- 2x SG 4946 Side guide wire rope fastener
- 2x SG 4947 Side guide wire rope fastener
- 2x SG 4948 Side guide wire \varnothing 1.5 mm

Note:

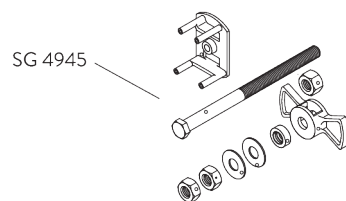
- Light gaps increase when side-guide option is used
- Up to 15° from vertical

C. HOOK-IN INSTALLATION PLATES



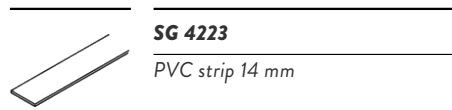
- A: Hook-in plates SG 4972 take the weight of the blind
 B: Brackets sideways adjustable by up to 18 mm

D. ADJUSTABLE END STOP

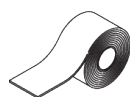


PARTS

A. STANDARD PARTS



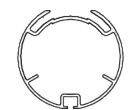
SG 4223
PVC strip 14 mm



SG 4226
Double tape 30 mm



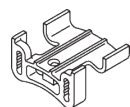
SG 4845
Bead chain metal ø 4.5 mm



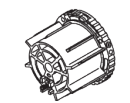
SG 4901
Tube ø 80 mm



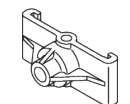
SG 4902
Profile



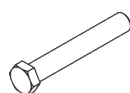
SG 4908
End stop



SG 4914
Tube adapter



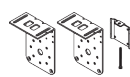
SG 4915
Support



SG 4939
Shaft



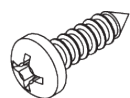
SG 4941
Chain drive set



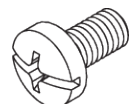
SG 4949
Bracket set



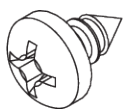
SG 4956
Bracket cover



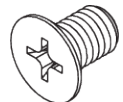
SG 10503
Pan head screw 3.5x13



SG 10505
Pan head screw Freedrive M4x8



SG 10507
Pan head screw 3.5x6.5



SG 10509
Countersunk head screw M5x8



SG 10731
Child safety retainer set

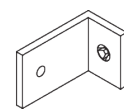


SG 10760
Bottom bar



SG 10761
End cover

B. OPTIONAL PARTS



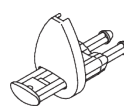
SG 3036
Bracket 47 mm



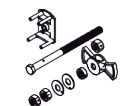
SG 4903
Bottom bar



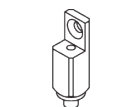
SG 4909
Chain drive



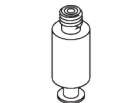
SG 4944
Side guide end cover



SG 4945
End stop set



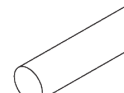
SG 4946
Side guide wire rope fastener



SG 4947
Side guide wire rope fastener



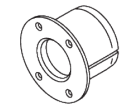
SG 4948
Side guide wire ø 1.5 mm



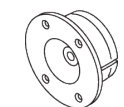
SG 4951
Bottom weight ø 8 mm



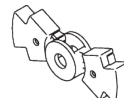
SG 4957
Tube ø 110 mm



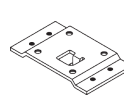
SG 4958
Tube adapter



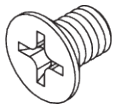
SG 4961
Tube adapter



SG 4965
End stop flange

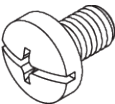


SG 4972
Installation plate



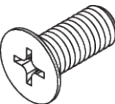
SG 10502

Countersunk head screw M4x6



SG 10504

Pan head screw Freedrive M5x8



SG 10508

Countersunk head screw M5x12



SG 10770

Bottom bar



SG 10771

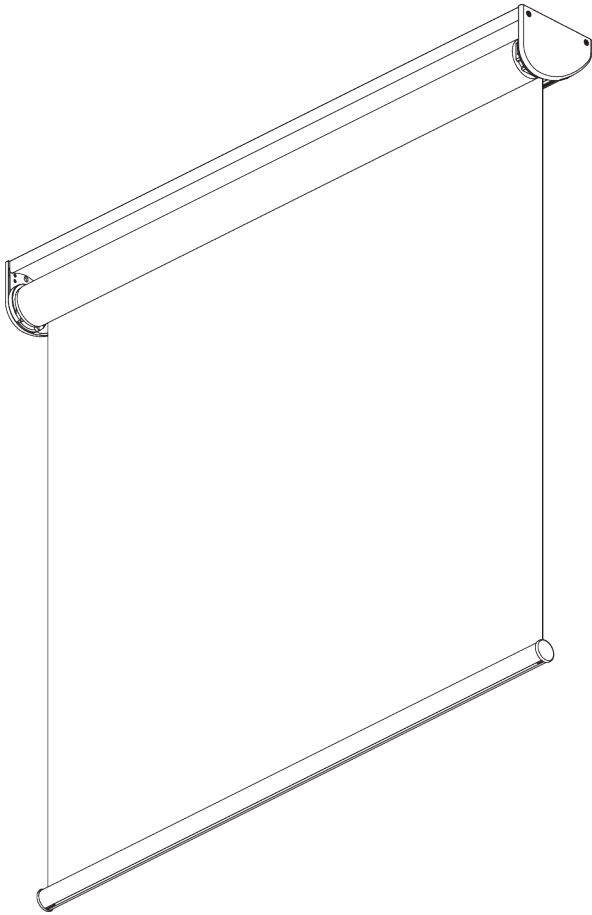
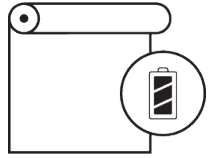
End cover



SG 11178

End cover

SG 4955



PRODUCT INFORMATION

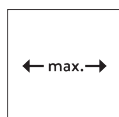
- **Operation:** motorised (battery operated)
- **Range:** S - M
- **Fitting:** ceiling, wall, recess
- **Colours:** white RAL 9016 or anodised aluminum, special colours possible
- **Fabrics:** refer to Silent Gliss fabric collection

Features:

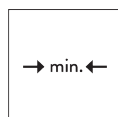
- Various control options
- Easy exchange of batteries
- Click-in brackets
- Installation profile

SYSTEM SPECIFICATIONS

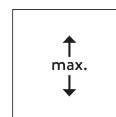
A. SYSTEM DIMENSIONS



2.4 m



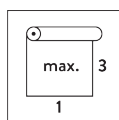
60 cm



4 m



2.5 kg



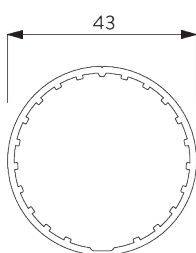
Recommended width /
height ratio
max. 1:3

Maximum system drop

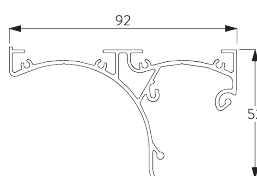
| Fabric thickness | mm | 0.15 | 0.20 | 0.25 | 0.30 | 0.35 | 0.40 | 0.45 | 0.50 | 0.55 | 0.60 | 0.65 | 0.70 | 0.75 | 0.80 |
|------------------|----|------|------|------|------|------|------|------|------|------|------|------|------|------|------|
| Max. system drop | cm | 400 | 400 | 400 | 400 | 400 | 400 | 390 | 350 | 320 | 290 | 270 | 250 | 230 | 220 |

B. PROFILE

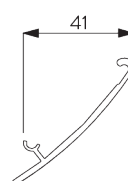
Profile information



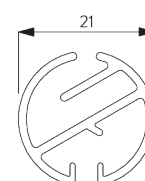
SG 10532
Tube ø 43 mm



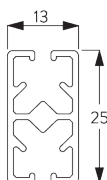
SG 11081
Profile



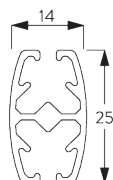
SG 11082
Profile



SG 4221
Bottom bar

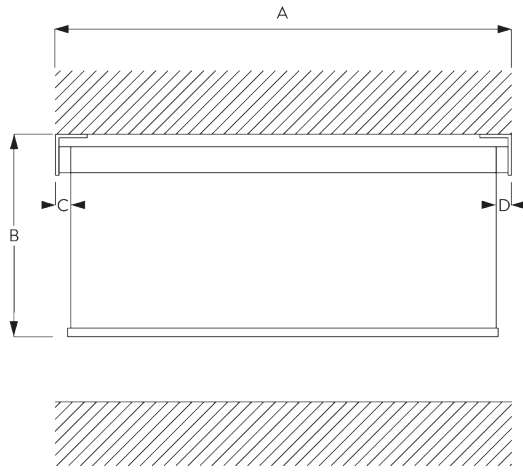


SG 10633
Bottom bar



SG 10634
Bottom bar

**C. HOW TO
MEASURE**

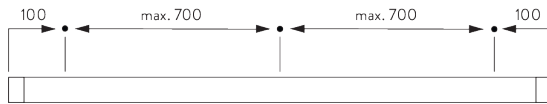


FITTING

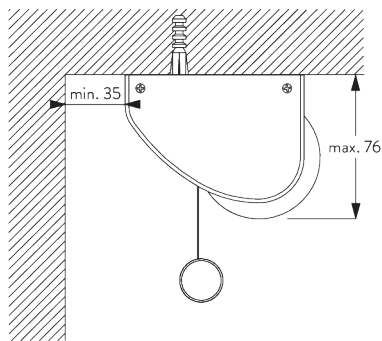
**A. FITTING
INFORMATION**

For detailed fitting information, visit the Silent Gliss website.

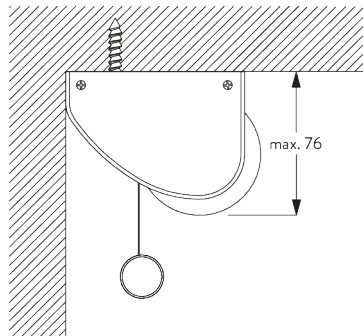
Fixing points



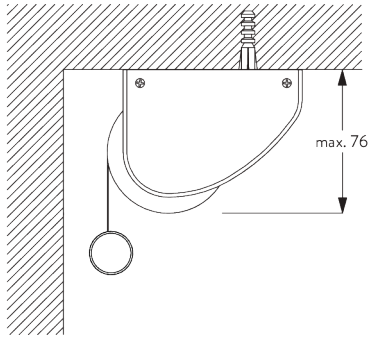
B. CEILING FITTING



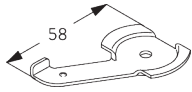
Clamp SG 3044



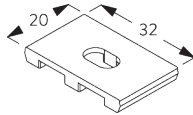
Direct fitting



Reversed fitting

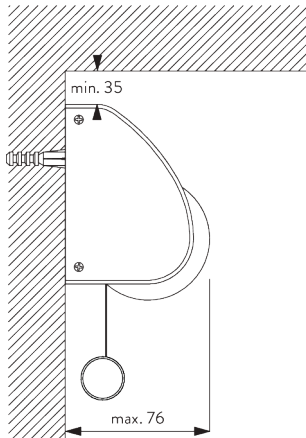


SG 3044
Clamp

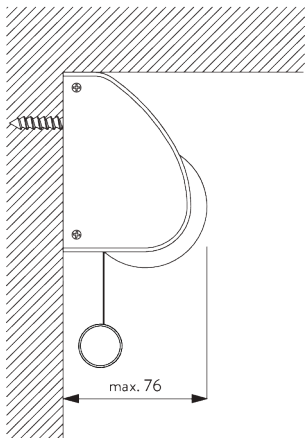


SG 11086
Installation support plate

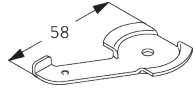
C. WALL FITTING



Clamp SG 3044

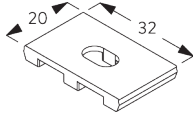


Direct fitting



SG 3044

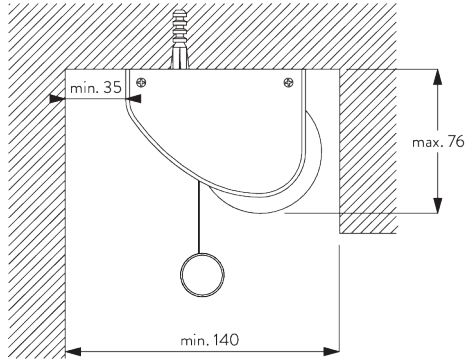
Clamp



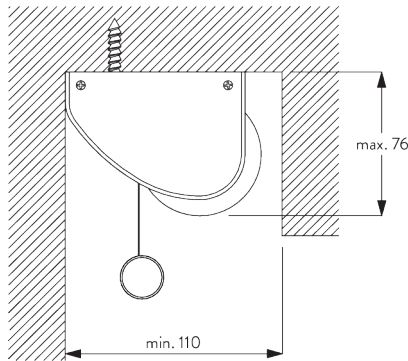
SG 11086

Installation support plate

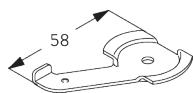
D. RECESS FITTING



Clamp SG 3044

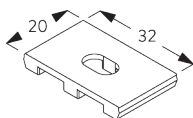


Direct fitting



SG 3044

Clamp

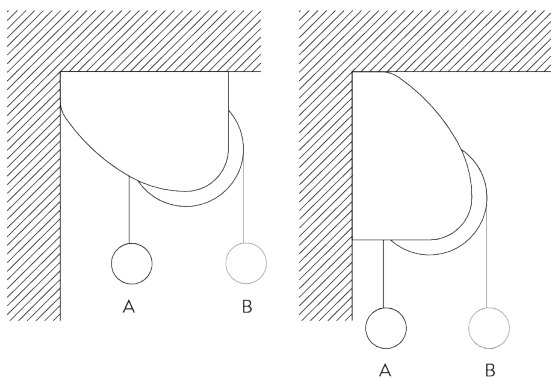


SG 11086

Installation support plate

SYSTEM OPTIONS

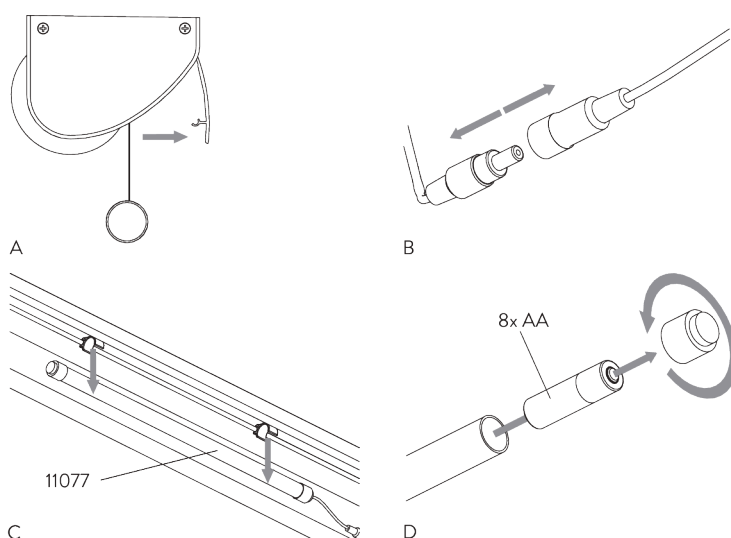
A. FABRIC ROLL-OFF



A: Fabric roll-off window side (standard)

B: Fabric roll-off room side (option)

B. BATTERY EXCHANGE



MOTOR & CONTROLS

A. MOTOR FEATURES

| | |
|--|----------|
| Motor | SG 11076 |
| Motor Features | |
| Soft start / stop | • |
| Built-in receiver | • |
| Electronic end-stop | • |
| Electronic revolution counter (unlimited revolution) | • |
| IP class | IP 44 |
| Control Features | |
| SG Control A | • |

B. MOTOR
SPECIFICATIONS

| Motor | Light gaps C / D = driving side | Min. system width | Voltage | Current | Speed | Frequency receiver |
|----------|------------------------------------|----------------------|---------|---------|--------|-----------------------|
| SG 11076 | C: 14 mm / D: 17 mm | 60 cm | 12 V DC | 0.55 A | 30 rpm | 433 MHz |

C. OPERATION
METHODS

See catalogue "controls" for details.

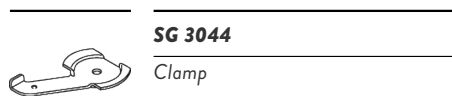
SG Control A



Various radio hand-held and wall transmitters available.

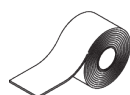
PARTS

A. STANDARD PARTS



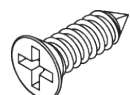
SG 3044

Clamp



SG 4226

Double tape 30 mm



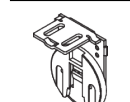
SG 10498

Countersunk screw 2.9x9.5



SG 10532

Tube \varnothing 43 mm



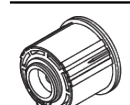
SG 10543

Bracket



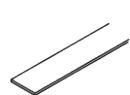
SG 10544

Bracket



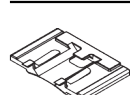
SG 10557

Tube adapter



SG 10668

PVC strip 10 mm



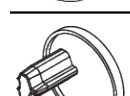
SG 10690

Spacer



SG 10872

Bottom bar



SG 10874

End cover



SG 10946

Radio hand held 1 channel



SG 11039

Cable protector



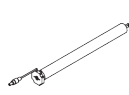
SG 11072

Motor drive



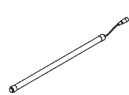
SG 11075

Tube adapter



SG 11076

Motor 12V DC, 1.2/30



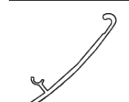
SG 11077

Battery box



SG 11081

Profile



SG 11082

Profile



SG 11083

End cover right



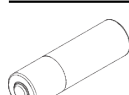
SG 11084

End cover left



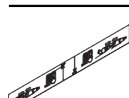
SG 11085

Battery box holder



SG 11099

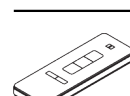
AA Energizer Ultimate lithium batteries



SG 11103

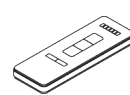
Warning sticker

B. OPTIONAL PARTS



SG 10947

Radio hand held 2+1 channel



SG 10948

Radio hand held 6+1 channel



SG 10949

Radio wall transmitter 1 channel



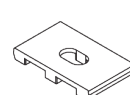
SG 10950

Radio wall transmitter 2 channel



SG 10951

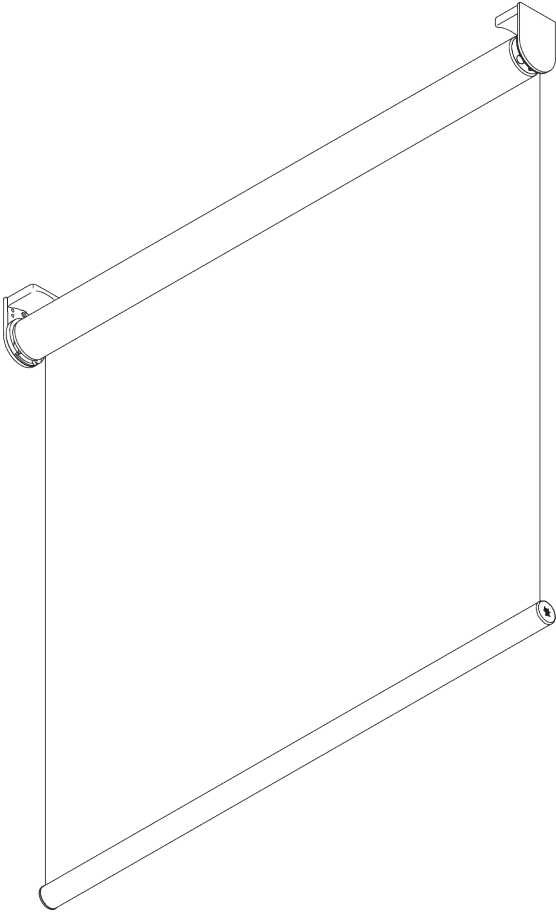
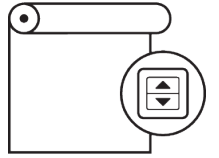
Radio wall transmitter 5+1 channel



SG 11086

Installation support plate

SG 4960



PRODUCT INFORMATION

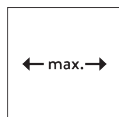
- **Operation:** motorised
- **Range:** S - M
- **Fitting:** ceiling, wall, recess
- **Colours:** white RAL 9016, grey RAL 7035, black RAL 9005; special colours possible
- **Fabrics:** refer to Silent Gliss fabric collection

Features:

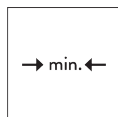
- Quiet and fast motors, soft stop
- Various control options
- Two connected systems
- Click-in brackets
- Fascia, box, installation profile

SYSTEM SPECIFICATIONS

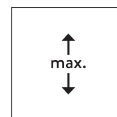
A. SYSTEM DIMENSIONS



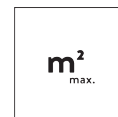
Single system: 2.4 m
Double system: 4.8 m



61 cm*
*see motor specification table



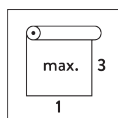
4 m



Single system: 9.6 m²
Double system: 19.2 m²



5.5 kg



Recommended width /
height ratio
max. 1:3

Maximum system drop

Wall fitting (system drop on window side)

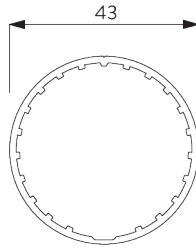
| | | | | | | | | | | | | | | | |
|------------------|----|------|------|------|------|------|------|------|------|------|------|------|------|------|------|
| Fabric thickness | mm | 0.15 | 0.20 | 0.25 | 0.30 | 0.35 | 0.40 | 0.45 | 0.50 | 0.55 | 0.60 | 0.65 | 0.70 | 0.75 | 0.80 |
| Max. system drop | cm | 400 | 400 | 400 | 400 | 400 | 400 | 390 | 350 | 320 | 290 | 270 | 250 | 230 | 220 |

Ceiling fitting / wall fitting (system drop on room side)

| | | | | | | | | | | | | | | | |
|------------------|----|------|------|------|------|------|------|------|------|------|------|------|------|------|------|
| Fabric thickness | mm | 0.15 | 0.20 | 0.25 | 0.30 | 0.35 | 0.40 | 0.45 | 0.50 | 0.55 | 0.60 | 0.65 | 0.70 | 0.75 | 0.80 |
| Max. system drop | cm | 400 | 400 | 400 | 400 | 400 | 400 | 400 | 400 | 400 | 380 | 350 | 330 | 300 | 280 |

B. PROFILE

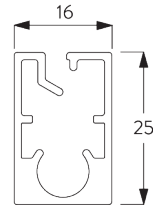
Profile information



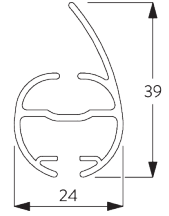
SG 10532
Tube ø 43 mm



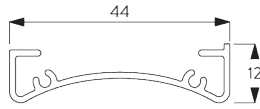
SG 10760
Bottom bar



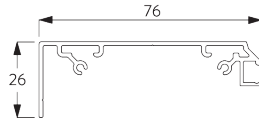
SG 10770
Bottom bar



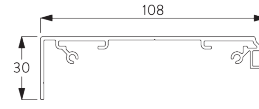
SG 4903
Bottom bar



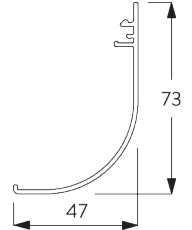
SG 10534
Installation profile



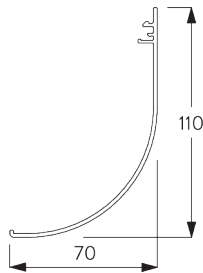
SG 11430
Installation profile fascia 73 mm



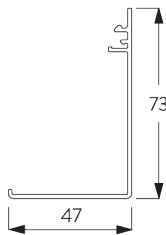
SG 11530
Installation profile fascia 110 mm



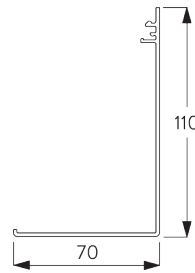
SG 11431
Fascia round 73 mm



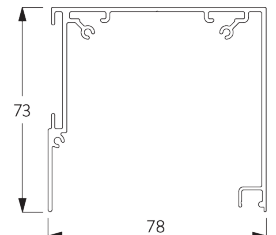
SG 11531
Fascia round 110 mm



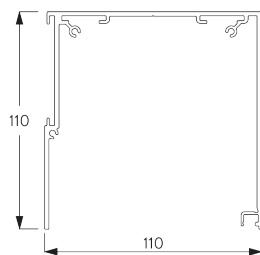
SG 11432
Fascia square 73 mm



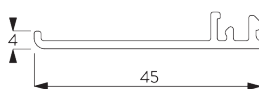
SG 11532
Fascia square 110 mm



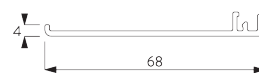
SG 11433
Box case 73 mm



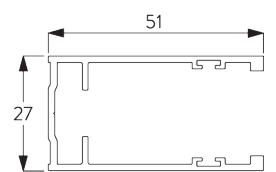
SG 11533
Box case 110 mm



SG 11434
Box cover 73 mm



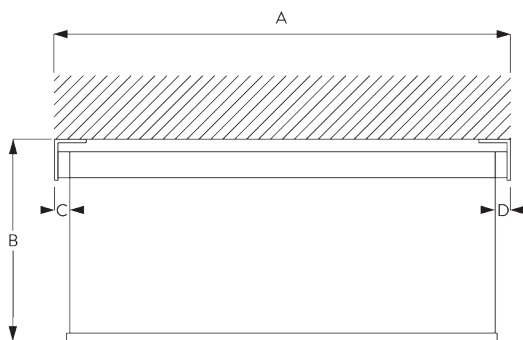
SG 11534
Box cover 110 mm



SG 11542
Side guide channel

C. HOW TO MEASURE

incl. bracket covers

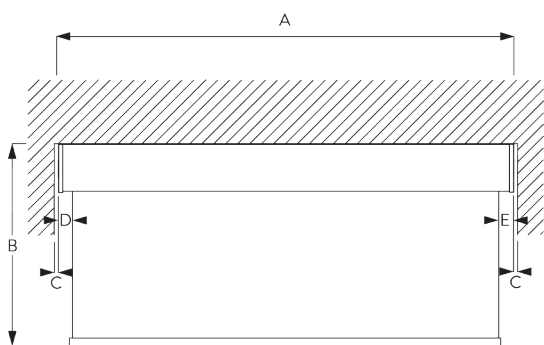


- A: System width
- B: System height
- C: Light gap: 13 mm
- D: Light gap operation side: 19 mm

Note:
Different light gaps see motor specifications.
All measurements include 2 mm for bracket cover per side!



Fascia / Box

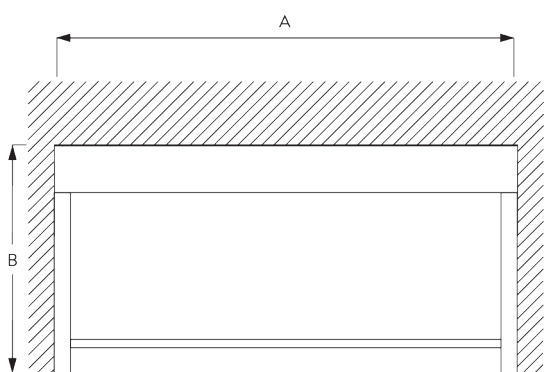


- A: System width
- B: System height
- C: Gap: min. 10 mm (when cover is used)*
- D: Light gap: 15 mm
- E: Light gap operation side: 21 mm

Note:
Different light gaps see motor specifications.
*Possible to make Fascia wider than system to reduce gap between wall and system.



Fascia / Box with Side Profiles SG 11542



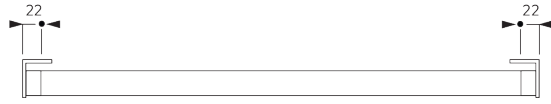
- A: System width
- B: System height

FITTING

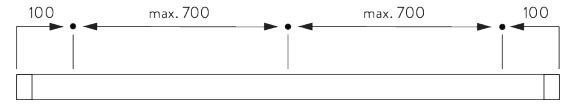
A. FITTING INFORMATION

For detailed fitting information, visit the Silent Gliss website.

Fixing points

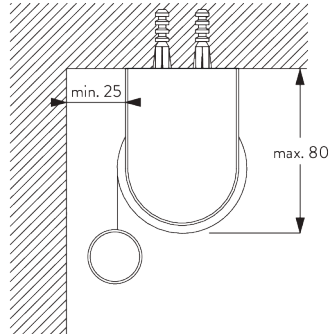


Brackets (wall / ceiling)

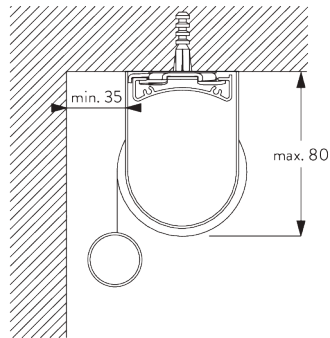


Installation profile SG 10534 (wall / ceiling)

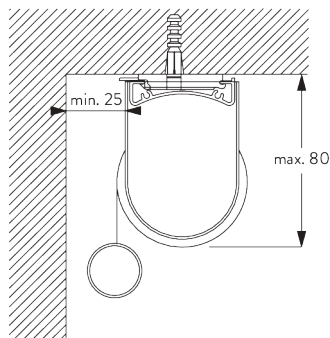
B. CEILING FITTING



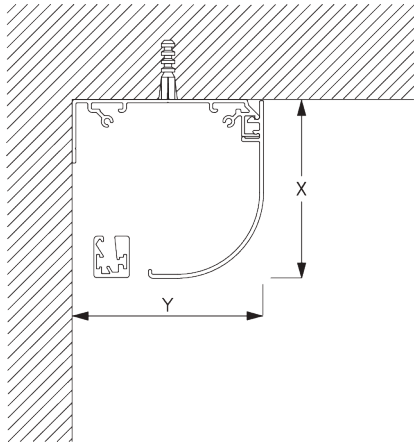
Brackets



Installation profile SG 10534 and clamps SG 3033 or SG 3044



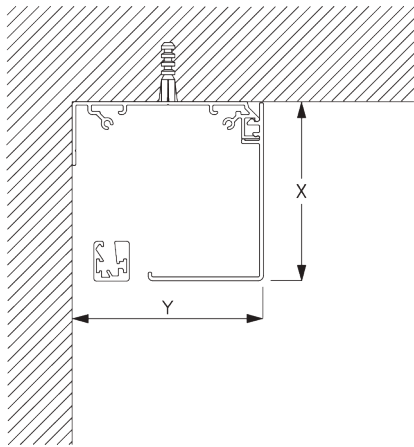
Installation profile SG 10534 and click bracket SG 10539
Not possible with two connected systems!



Fascia round

X = Fascia S 73 mm / Fascia L 110 mm

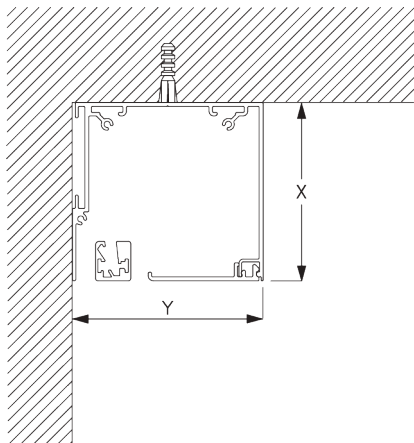
Y = Fascia S 78 mm / Fascia L 110 mm



Fascia square

X = Fascia S 73 mm / Fascia L 110 mm

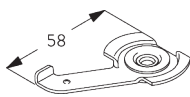
Y = Fascia S 78 mm / Fascia L 110 mm



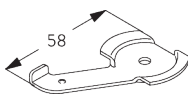
Box

X = Box S 73 mm / Box L 110 mm

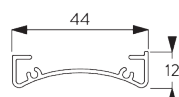
Y = Box S 78 mm / Box L 110 mm



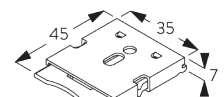
SG 3033
Clamp



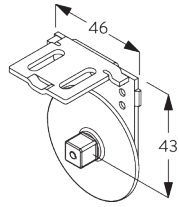
SG 3044
Clamp



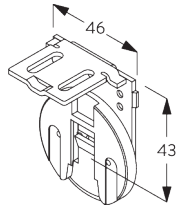
SG 10534
Installation profile



SG 10539
Bracket



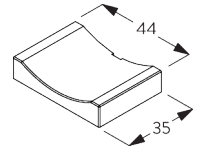
SG 10542
Bracket



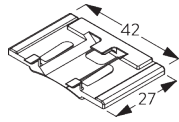
SG 10543
Bracket



SG 10574
Bracket cover

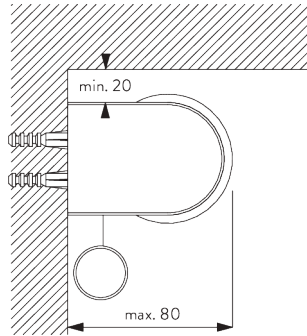


SG 10575
Bracket cover

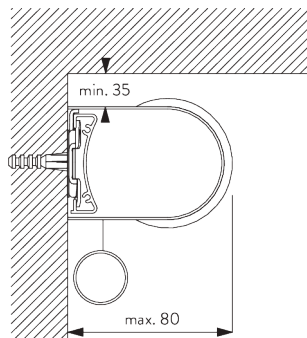


SG 10690
Spacer

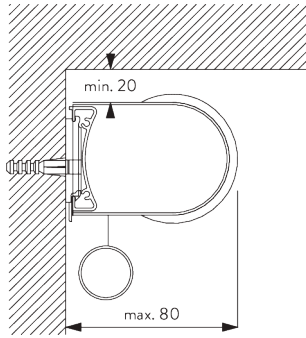
C. WALL FITTING



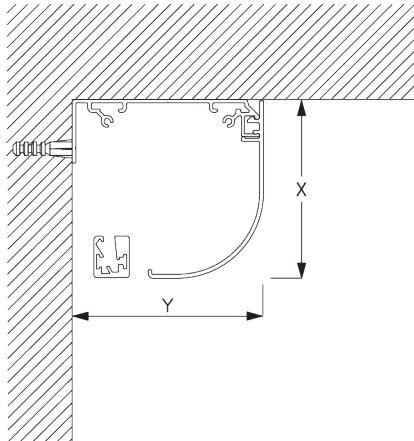
Brackets



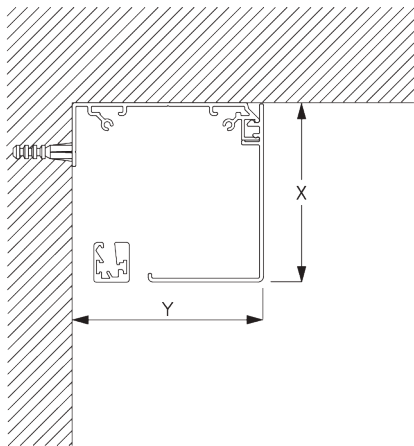
Installation profile SG 10534 and clamps SG 3033 or SG 3044



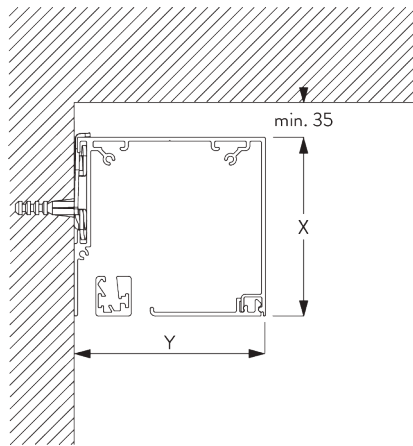
Installation profile SG 10534 and click bracket SG 10539
 Not possible with two connected systems!



Fascia round
 X = Fascia S 73 mm / Fascia L 110 mm
 Y = Fascia S 78 mm / Fascia L 110 mm



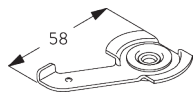
Fascia square
 X = Fascia S 73 mm / Fascia L 110 mm
 Y = Fascia S 78 mm / Fascia L 110 mm



Box S and clamp SG 3044 / Box L and clamp SG 11180

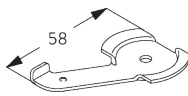
X = Box S 73 mm / Box L 110 mm

Y = Box S 78 mm / Box L 110 mm



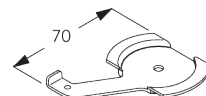
SG 3033

Clamp



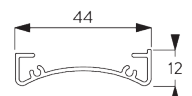
SG 3044

Clamp



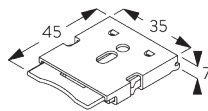
SG 11180

Clamp



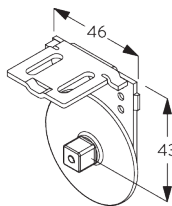
SG 10534

Installation profile



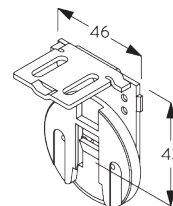
SG 10539

Bracket



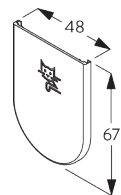
SG 10542

Bracket



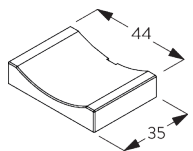
SG 10543

Bracket



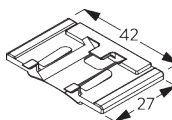
SG 10574

Bracket cover



SG 10575

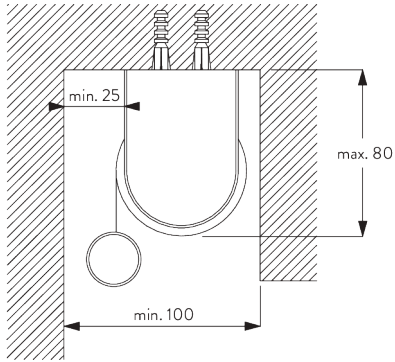
Bracket cover



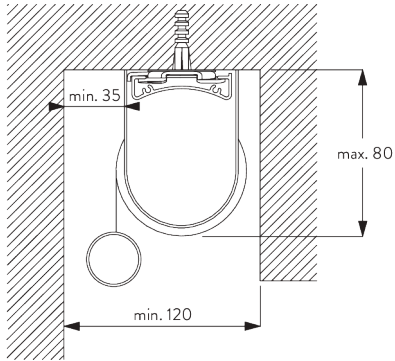
SG 10690

Spacer

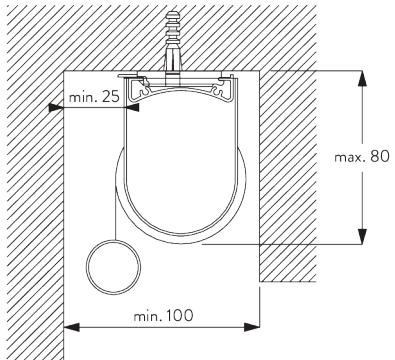
D. RECESS FITTING



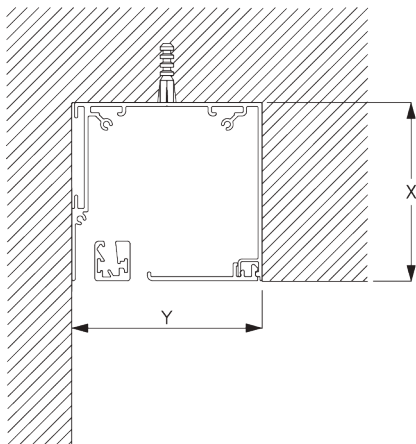
Brackets



Installation profile SG 10534 and clamps SG 3033 or SG 3044



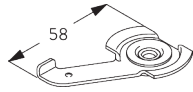
Installation profile SG 10534 and click bracket SG 10539
Not possible with two connected systems!



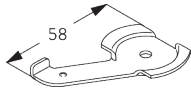
Box

X = Box S 73 mm / Box L 110 mm

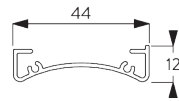
Y = Box S min. 79 mm / Box L min. 111 mm



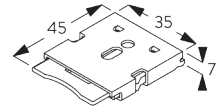
SG 3033
Clamp



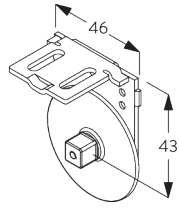
SG 3044
Clamp



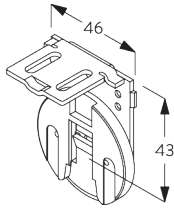
SG 10534
Installation profile



SG 10539
Bracket



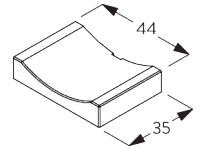
SG 10542
Bracket



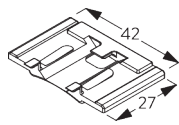
SG 10543
Bracket



SG 10574
Bracket cover

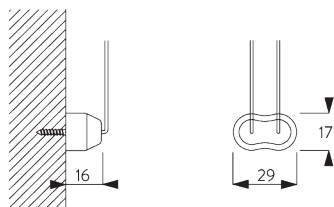
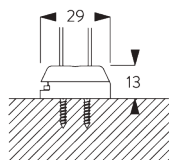
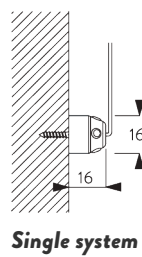
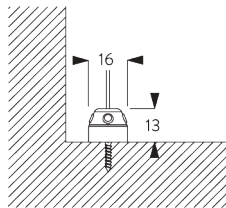


SG 10575
Bracket cover

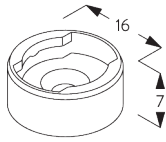


SG 10690
Spacer

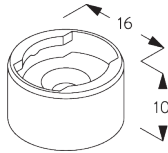
**E. FITTING WITH
SIDE GUIDE
OPTION**



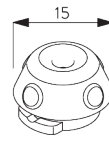
Double system (side-by-side installation)



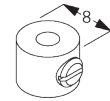
SG 8235
Side guide wire base short



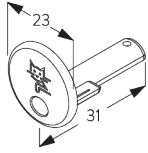
SG 8236
Side guide wire base long



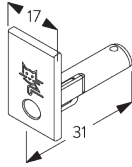
SG 8237
Side guide wire holder



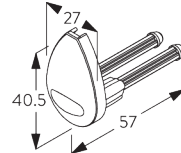
SG 8249
Side guide device



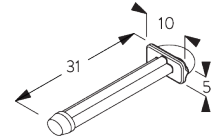
SG 10762
Side guide end cover



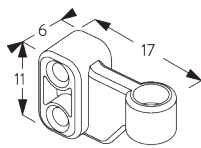
SG 10772
Side guide end cover



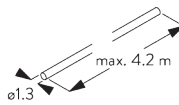
SG 4944
Side guide end cover



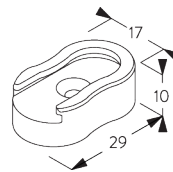
SG 10641
Side guide eyelet



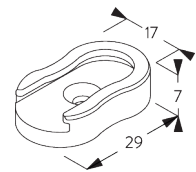
SG 10642
Side guide wire holder



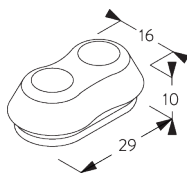
SG 10643
Side guide wire ø 1.3 mm x 4.2 m



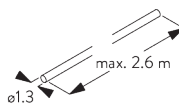
SG 10669
Side guide double base long



SG 10673
Side guide double base short



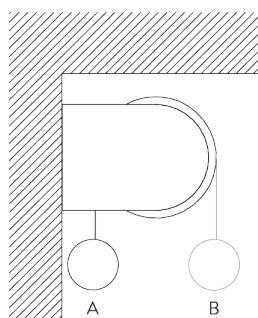
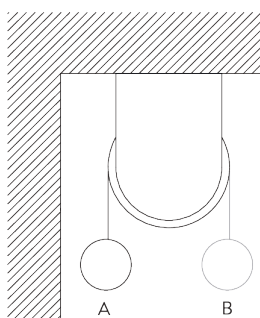
SG 10701
Side guide double wire holder



SG 10706
Side guide wire ø 1.3 mm x 2.6 m

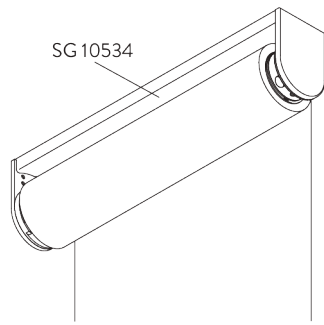
SYSTEM OPTIONS

A. FABRIC ROLL-OFF

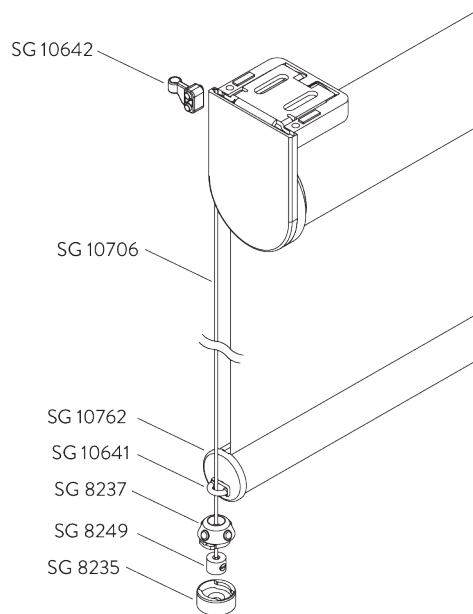


A: Fabric roll-off window side (standard)
B: Fabric roll-off room side (option)

B. INSTALLATION PROFILE



C. SIDE GUIDES



Additional parts:

- 2x SG 8235 Side guide wire base short
- 2x SG 8237 Side guide wire holder
- 2x SG 8249 Side guide device
- 2x SG 10762 Side guide end cover round
- 2x SG 10641 Side guide eyelet
- 2x SG 10642 Side guide wire holder
- 2x SG 10706 Side guide wire \varnothing 1.3 mm x 2.6 m

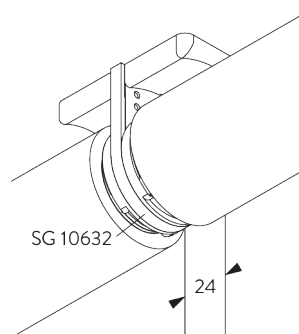
Optional parts:

- 2x SG 8236 Side guide wire base long
- 2x SG 10772 Side guide end cover square
- 2x SG 10643 Side guide wire \varnothing 1.3 mm x 4.2 m
- 1x SG 10669 Side guide double base long
- 1x SG 10673 Side guide double base short
- 1x SG 10701 Side guide double wire holder

Note:

- Light gaps increase when side-guide option is used
- Up to 15° from vertical

D. TWO CONNECTED SYSTEMS



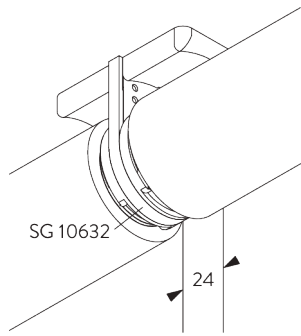
Additional parts:

- 1x SG 10558 Connection tube adapter
- 2x SG 10626 Connection bracket
- 2x SG 10627 Connection flange
- 1x SG 10628 Connection tube adapter
- 1x SG 10632 Connection bracket cover

Note:

- Not possible with 24 V motor SG 10692!

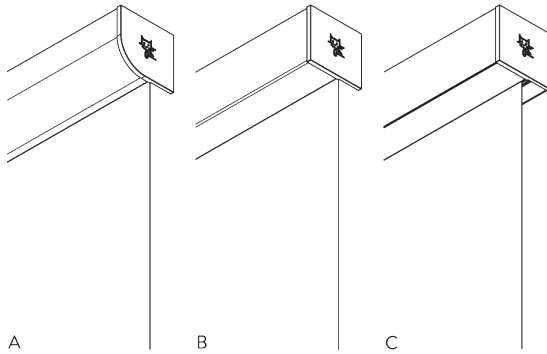
**E. TWO SINGLE
SYSTEMS SIDE-BY-
SIDE**



Additional parts:

- 1x SG 10632 Connection bracket cover

F. FASCIA / BOX



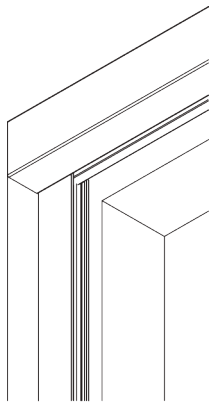
A: Fascia round
B: Fascia square
C: Box

Size:

- S: 78 x 73 mm
- L: 110 x 110 mm

Note:

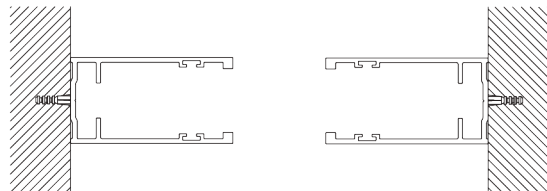
- Only applicable with bottom bar SG 11442
- Not possible with connected systems
- Two systems with one Fascia possible upon request



Optional side guide channels SG 11542 to be used with Fascia or Box.

Note:

- Only applicable with inside fitting
- Box: only recess fitting



MOTORS & CONTROLS

A. MOTOR FEATURES

| | 50-Series | 20-Series | 20-Series | 10-Series K | 5-Series | 24 V DC |
|--------|-----------|-----------|-----------|-------------|----------|----------|
| Motors | SG 11250 | SG 10321 | SG 10320 | SG 10514 | SG 10715 | SG 10692 |

Motor Features

| | | | | | | |
|--|-------|-------|-------|-------|-------|-------|
| Soft stop | • | • | • | | | |
| Electronic end-stop | • | • | • | | | • |
| Electronic revolution counter (unlimited revolution) | • | • | • | | | • |
| Mechanical end-stop | | | | • | • | |
| Mechanical revolution counter (limited revolution) | | | | • | • | |
| Two intermediate positions possible | | • | | | | |
| Bottom bar alignment | • | | | | | |
| Noiseless stop | | • | • | • | | • |
| Parallel wiring possible without additional relays | | • | • | | | |
| Disconnectable motor cable | • | • | • | | | |
| IP class | IP 30 | IP 44 | IP 44 | IP 44 | IP 44 | IP 30 |

Control Features

| | | | | | | |
|---|---|---|---|---|---|---|
| Mains power control | | • | • | • | • | |
| Dry contact control | | | | | | • |
| SG Control L (built-in receiver) | | • | | | | |
| Smart by Silent Gliss | • | | | | | |
| Suitable for most major home automation systems (with suitable interface) | | • | • | • | • | • |

B. MOTOR SPECIFICATIONS

See website for wiring diagram.

| Motors | Light gaps* C / D = driving side | Min. system width | Voltage | Current | Frequency | Speed | Frequency receiver |
|--|-------------------------------------|----------------------|----------|---------|-----------|--------|-----------------------|
| 50-Series (Smart by Silent Gliss) | | | | | | | |
| SG 11250 | C: 9 mm / D: 26 mm | 61 cm | 24 V DC | 1.8 A | - | 55 rpm | - |
| 20-Series | | | | | | | |
| SG 10320 (standard) | C: 13 mm / D: 19 mm | 61 cm | 230 V AC | 0.55 A | 50 Hz | 70 rpm | - |
| SG 10321 | C: 13 mm / D: 19 mm | 61 cm | 230 V AC | 0.55 A | 50 Hz | 70 rpm | 868/915 MHz |
| 10-Series K | | | | | | | |
| SG 10514 | C: 9 mm / D: 25 mm | 50 cm | 230 V AC | 0.52 A | 50 Hz | 30 rpm | - |
| 5-Series | | | | | | | |
| SG 10715 | C: 9 mm / D: 25 mm | 61 cm | 230 V AC | 0.485 A | 50-60 Hz | 28 rpm | - |
| 24 V DC | | | | | | | |
| SG 10692 | C: 13 mm / D: 19 mm | 50 cm | 24 V DC | 0.7 A | - | 25 rpm | - |

*Light gaps Fascia or Box: C +2 mm / D +2 mm

C. OPERATING METHODS

See catalogue "controls" for details.

Wall Switch



System can be operated by fixed wall switch.

SG Control L



Various radio hand-held and wall transmitters available.



Silent Gliss Move App.

Smart by Silent Gliss



Open designed two-way communication system which allows to flawlessly integrate products with most major building management systems.

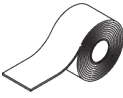
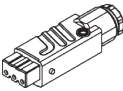



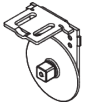
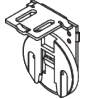


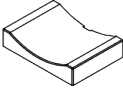
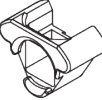

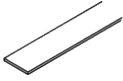

D. WIRING
DIAGRAMS


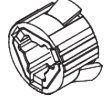


Refer to Silent Gliss website.



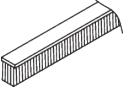



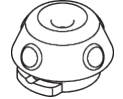
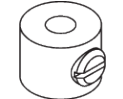
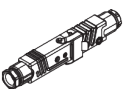
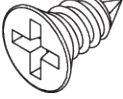
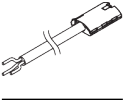
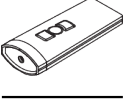

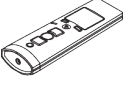
PARTS


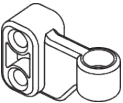

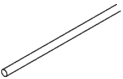
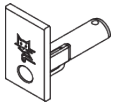










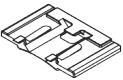
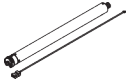


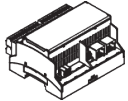

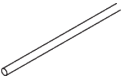
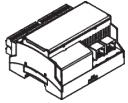
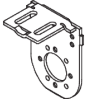
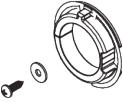
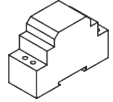


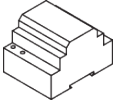
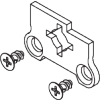
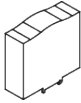


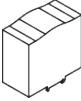
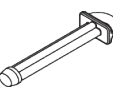

A. STANDARD PARTS

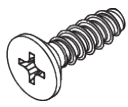
| | |
|---|--|
|  | SG 4226 Double tape 30 mm |
|  | SG 9917 Hirschmann portable socket-outlet STAK 3 N |
|  | SG 10284 O-Ring |
|  | SG 10320 Tubular motor 230V AC, 20 Series S 1.5/70 |
|  | SG 10532 Tube ø 43 mm |
|  | SG 10542 Bracket |
|  | SG 10543 Bracket |
|  | SG 10557 Tube adapter |
|  | SG 10574 Bracket cover |
|  | SG 10575 Bracket cover |
|  | SG 10620 Motor flange 10/20-Series |
|  | SG 10621 Tube adapter |
|  | SG 10668 PVC strip 10 mm |
|  | SG 10760 Bottom bar |

| | |
|---|---|
|  | SG 10761 End cover |
|  | SG 11354 Motor drive 10/20-Series |

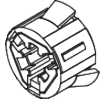
B. OPTIONAL PARTS

| | |
|---|---|
|  | SG 3033 Clamp |
|  | SG 3044 Clamp |
|  | SG 4508 Brush 5x7 mm |
|  | SG 4903 Bottom bar |
|  | SG 8235 Side guide wire base short |
|  | SG 8236 Side guide wire base long |
|  | SG 8237 Side guide wire holder |
|  | SG 8249 Side guide device |
|  | SG 9916 Hirschmann plug set |
|  | SG 10139 Countersunk screw 2.9x6.5 |
|  | SG 10293 Cable 230V AC, 2/3/5/10 m |
|  | SG 10300 Radio hand held 1 channel |
|  | SG 10302 Radio hand held 5+1 channel |
|  | SG 10303 Radio hand held 10+2+1 channel |

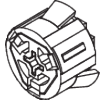
| | | | | | |
|--|--|---|---|---|---|
|  | SG 10321 Tubular motor 230V AC, 20 Series S 1.5/70, radio receiver |  | SG 10642 Side guide wire holder |  | SG 10771 End cover |
|  | SG 10498 Countersunk screw 2.9x9.5 |  | SG 10643 Side guide wire ø 1.3 mm x 4.2 m |  | SG 10772 Side guide end cover |
|  | SG 10514 Tubular motor 230V AC, 10 Series S 3/30 K |  | SG 10651 Connection flange |  | SG 10804 Radio hand held 15+5+1 channel |
|  | SG 10534 Installation profile |  | SG 10669 Side guide double base long |  | SG 11178 End cover |
|  | SG 10539 Bracket |  | SG 10673 Side guide double base short |  | SG 11180 Clamp |
|  | SG 10544 Bracket |  | SG 10690 Spacer |  | SG 11250 Motor 24V DC, 50-Series S 1.5/55 |
|  | SG 10558 Connection tube adapter |  | SG 10692 Motor 24 V DC, 2/38 |  | SG 11260 Gateway Cedia |
|  | SG 10622 Tube adapter, 24V DC motor |  | SG 10701 Side guide double wire holder |  | SG 11261 Gateway KNX |
|  | SG 10625 Motor flange, 10/20-Series |  | SG 10706 Side guide wire ø 1.3 mm x 2.6 m |  | SG 11262 Expansion unit |
|  | SG 10626 Connection bracket |  | SG 10708 Adapter set, 24 V DC |  | SG 11263 Power supply 24V DC, 2.5A DIN Rail |
|  | SG 10627 Connection flange |  | SG 10715 Tubular motor 230V AC, 5 Series S 6/28 |  | SG 11264 Power supply 24V DC, 3.8A DIN Rail |
|  | SG 10628 Connection tube adapter |  | SG 10753 Motor plate |  | SG 11265 Power supply 24V DC, 5A DIN Rail |
|  | SG 10632 Connection bracket cover |  | SG 10762 Side guide end cover |  | SG 11266 Power supply 24V DC, 10A DIN Rail |
|  | SG 10641 Side guide eyelet |  | SG 10770 Bottom bar |  | SG 11322 PT Screw Countersunk KA35x10 WN 1413 |



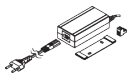
SG 11323
PT Screw Countersunk KA35x12



SG 11355
Motor drive 5-Series



SG 11357
Motor drive 24 V DC



SG 11426
Power supply 24V / 2A including cable with EU/CH plug



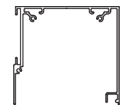
SG 11430
Installation profile fascia 73 mm



SG 11431
Fascia round 73 mm



SG 11432
Fascia square 73 mm



SG 11433
Box case 73 mm



SG 11434
Box cover 73 mm



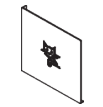
SG 11437
Bracket cover round left 73 mm



SG 11438
Bracket cover round right 73 mm



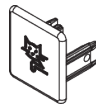
SG 11439
Bracket cover square left 73 mm



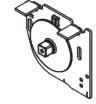
SG 11440
Bracket cover square right 73 mm



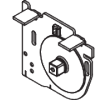
SG 11442
Bottom bar



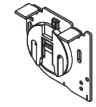
SG 11443
End cover



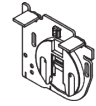
SG 11446
Bracket left 73 mm



SG 11447
Bracket right 73 mm



SG 11448
Bracket left 73 mm



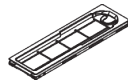
SG 11449
Bracket right 73 mm



SG 11450
Bracket left 73 mm



SG 11451
Bracket right 73 mm



SG 11460
Cover for Hirschmann plug



SG 11480
Radio wall transmitter 1 channel



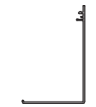
SG 11490
Radio wall transmitter 5+1 channel



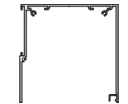
SG 11530
Installation profile fascia 110 mm



SG 11531
Fascia round 110 mm



SG 11532
Fascia square 110 mm



SG 11533
Box case 110 mm



SG 11534
Box cover 110 mm



SG 11537
Bracket cover round left 110 mm



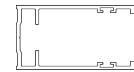
SG 11538
Bracket cover round right 110 mm



SG 11539
Bracket cover square left 110 mm



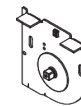
SG 11540
Bracket cover square right 110 mm



SG 11542
Side guide channel



SG 11546
Bracket left 110 mm



SG 11547
Bracket right 110 mm



SG 11548
Bracket left 110 mm



SG 11549
Bracket right 110 mm

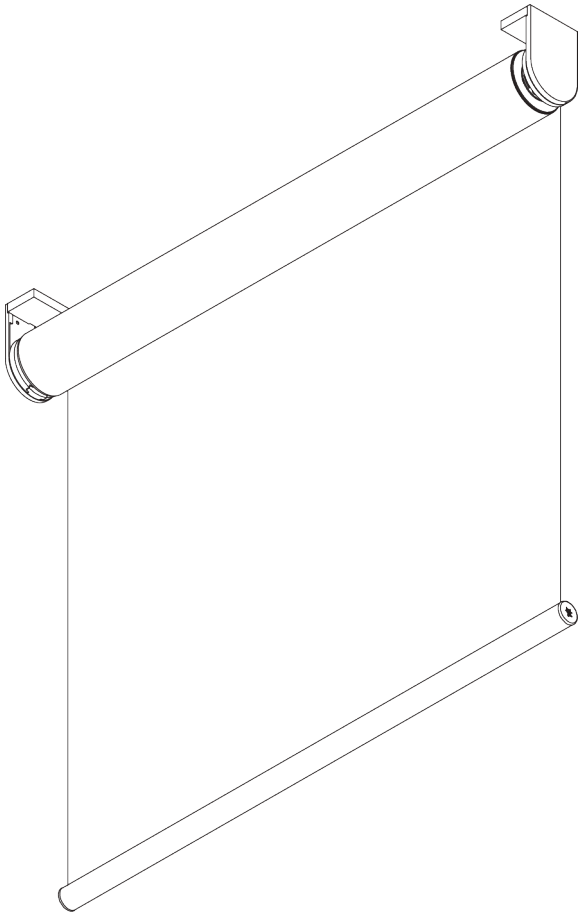
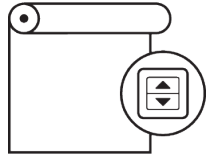


SG 11550
Bracket left 110 mm



SG 11551
Bracket right 110 mm

SG 4970



PRODUCT INFORMATION

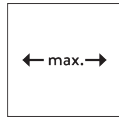
- **Operation:** motorised
- **Range:** M - L
- **Fitting:** ceiling, wall, recess
- **Colours:** white RAL 9016, grey RAL 7035, black RAL 9005, special colours possible
- **Fabrics:** refer to Silent Gliss fabric collection

Features:

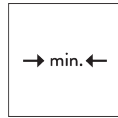
- Quiet and fast motors
- Soft stop
- Various control options
- Two connected systems
- Click-in brackets
- Fascia, box, installation profile

SYSTEM SPECIFICATIONS

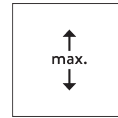
A. SYSTEM DIMENSIONS



Single system: 3.4 m
Double system: 6.8 m



65 cm*
*see motor specification table



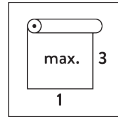
5 m



Single system: 17 m²
Double system: 34 m²



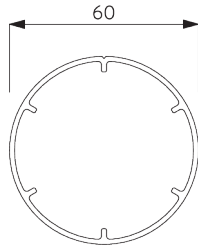
10 kg



Recommended width /
height ratio
max. 1:3

B. PROFILE

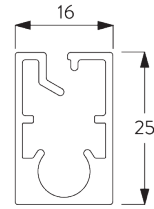
Profile information



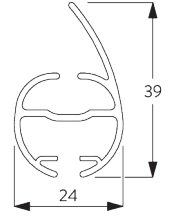
SG 11037
Tube ø 60 mm



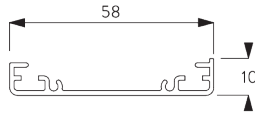
SG 10760
Bottom bar



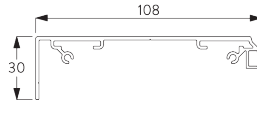
SG 10770
Bottom bar



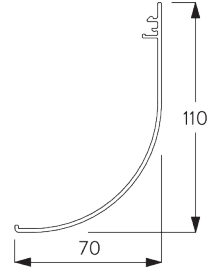
SG 4903
Bottom bar



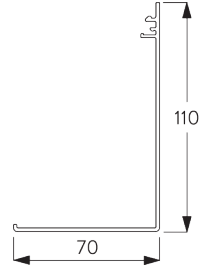
SG 11181
Installation profile



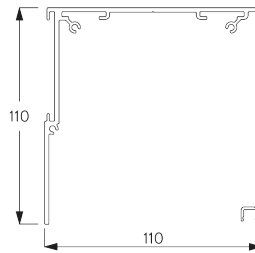
SG 11530
Installation profile fascia 110 mm



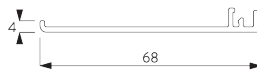
SG 11531
Fascia round 110 mm



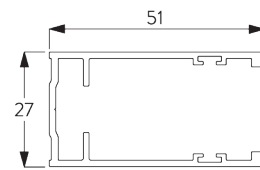
SG 11532
Fascia square 110 mm



SG 11533
Box case 110 mm



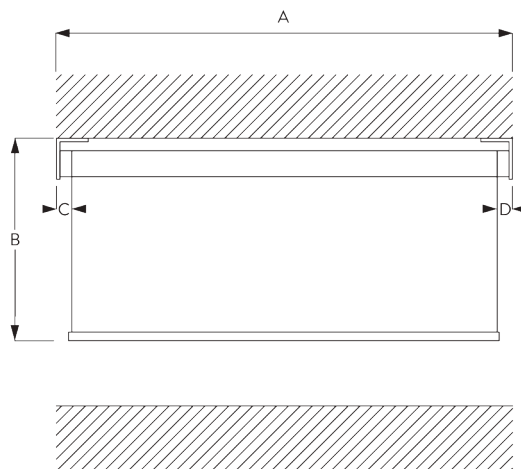
SG 11534
Box cover 110 mm



SG 11542
Side guide channel

C. HOW TO MEASURE

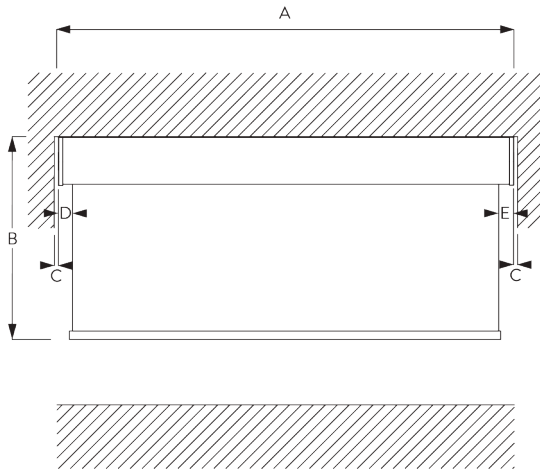
incl. bracket covers



A: System width
B: System height
C: Light gap: 18 mm
D: Light gap operation side: 25 mm

Note:
Different light gaps see motor specifications.
All measurements include 2 mm for bracket cover per side!

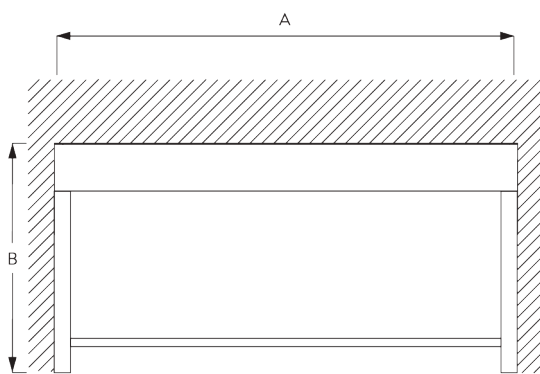
Fascia / Box



- A: System width
- B: System height
- C: Gap: min. 10 mm (when cover is used)*
- D: Light gap: 20 mm
- E: Light gap operation side: 27 mm

Note:
Different light gaps see motor specifications.
*Possible to make Fascia wider than system to reduce gap between wall and system.

Fascia / Box with Side Profiles SG 11542



- A: System width
- B: System height

FITTING

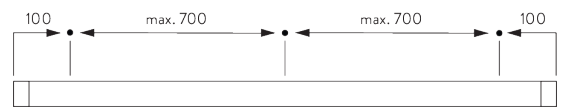
A. FITTING INFORMATION

For detailed fitting information, visit the [Silent Gliss website](#).

Fixing points

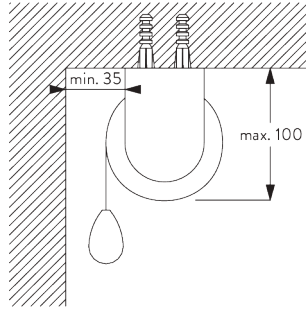


Brackets (wall / ceiling)

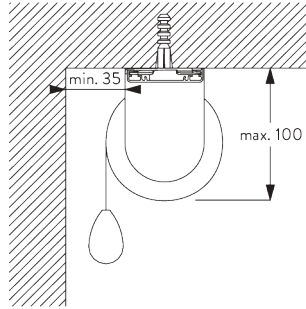


Fascia / box & installation profile SG 11181 (wall / ceiling)

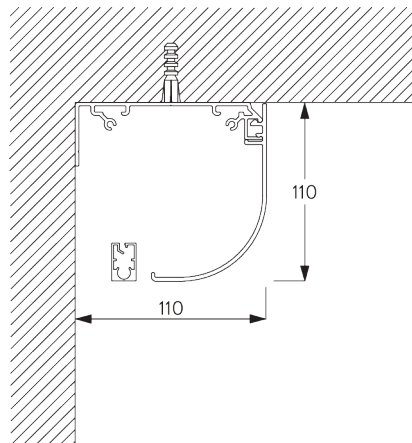
B. CEILING FITTING



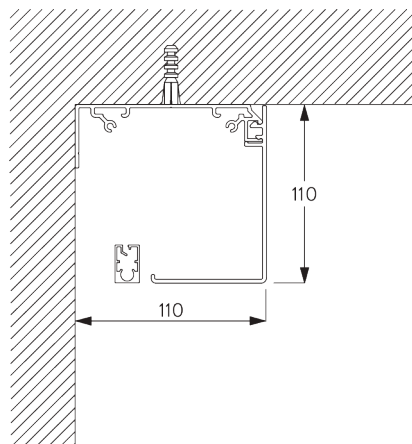
Brackets



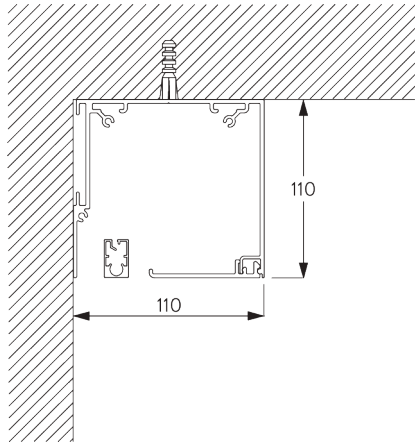
Installation profile SG 11181 and clamp SG 11180



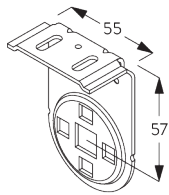
Fascia round



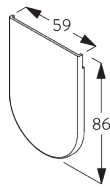
Fascia square



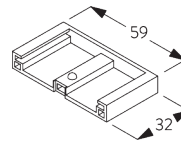
Box



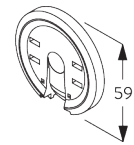
SG 11172
Bracket



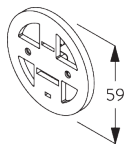
SG 11173
Bracket cover



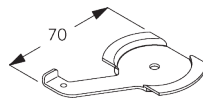
SG 11174
Bracket cover



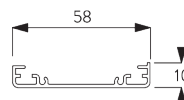
SG 11175
Click flange



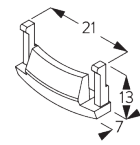
SG 11177
Motor support



SG 11180
Clamp

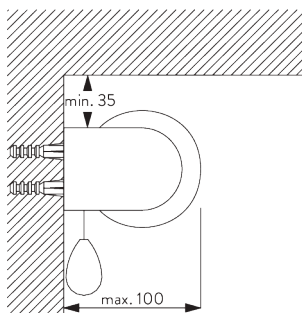


SG 11181
Installation profile

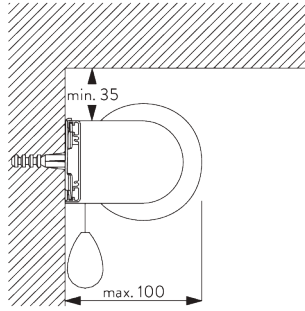


SG 11179
Cover

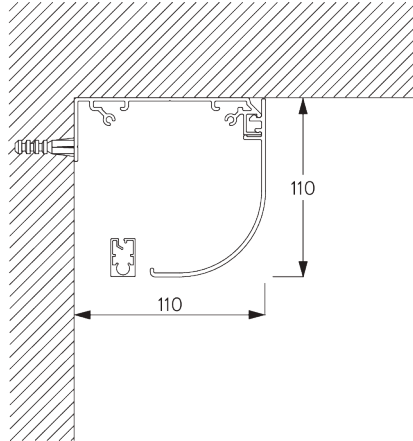
C. WALL FITTING



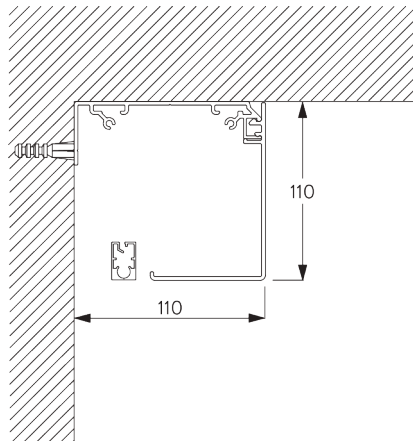
Brackets



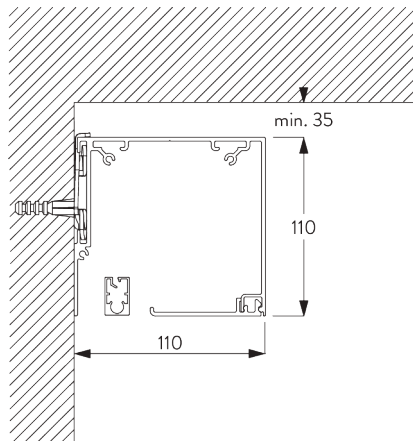
Installation profile SG 11181 and clamp SG 11180



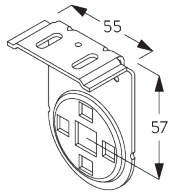
Fascia round



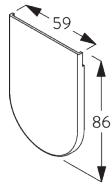
Fascia square



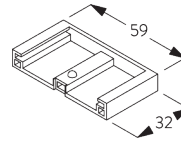
Box and clamp SG 11180



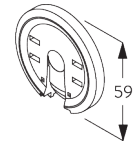
SG 11172
Bracket



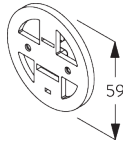
SG 11173
Bracket cover



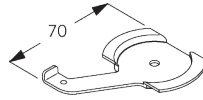
SG 11174
Bracket cover



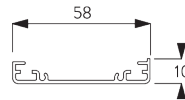
SG 11175
Click flange



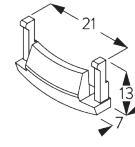
SG 11177
Motor support



SG 11180
Clamp

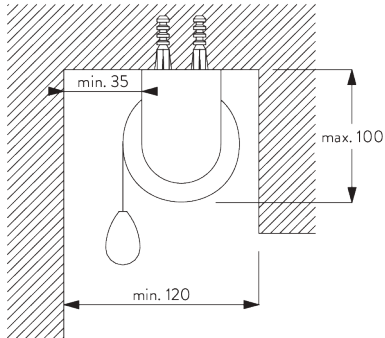


SG 11181
Installation profile

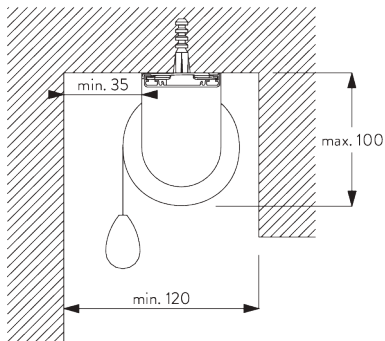


SG 11179
Cover

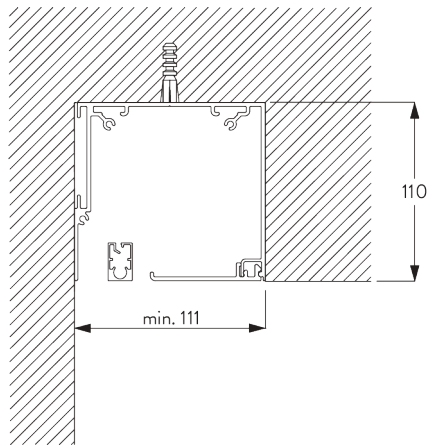
D. RECESS FITTING



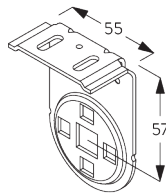
Brackets



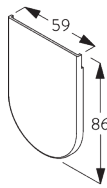
Installation profile SG 11181 and clamp SG 11180



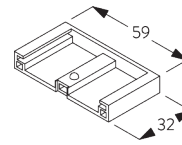
Box



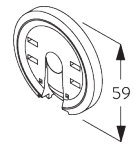
SG 11172
Bracket



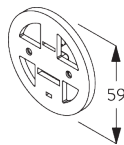
SG 11173
Bracket cover



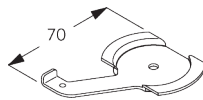
SG 11174
Bracket cover



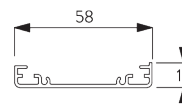
SG 11175
Click flange



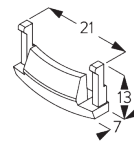
SG 11177
Motor support



SG 11180
Clamp

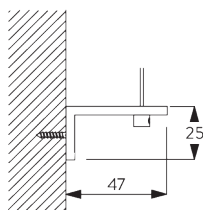


SG 11181
Installation profile

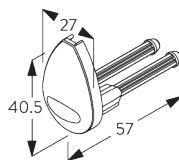


SG 11179
Cover

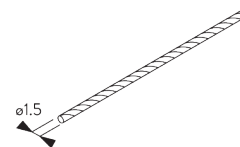
**E. FITTING WITH
SIDE GUIDE
OPTION**



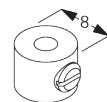
SG 3036
Bracket 47 mm



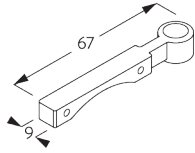
SG 4944
Side guide end cover



SG 4948
Side guide wire \varnothing 1.5 mm



SG 8249
Side guide device

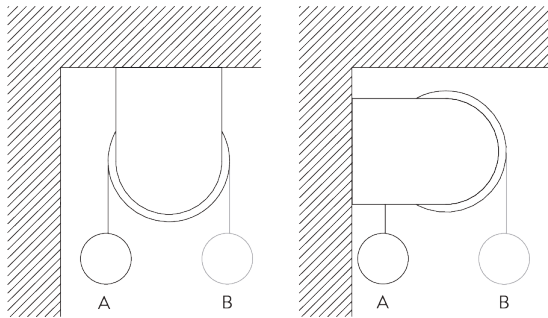


SG 11182

Side guide wire holder

SYSTEM OPTIONS

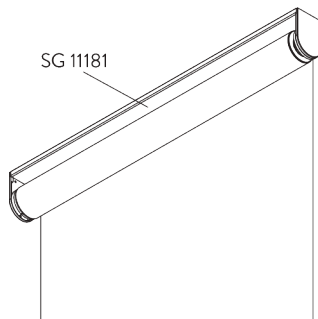
A. FABRIC ROLL-OFF



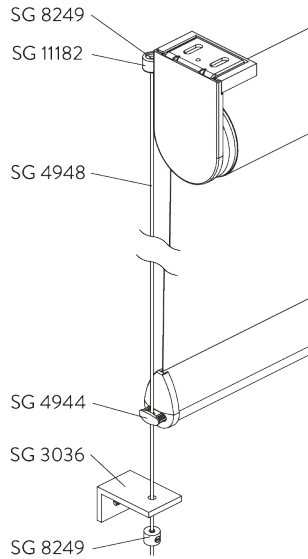
A: Fabric roll-off window side (standard)

B: Fabric roll-off room side (option)

B. INSTALLATION PROFILE



C. SIDE GUIDES



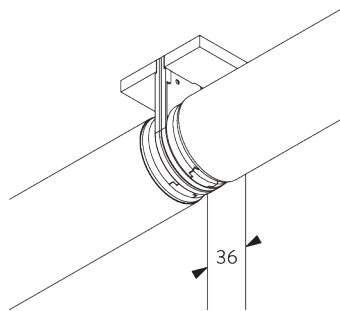
Additional parts:

- 2x SG 3036 Bracket
- 2x SG 4944 Side guide end cover
- 2x SG 4948 Side guide wire \varnothing 1.5 mm
- 4x SG 8249 Side guide device
- 2x SG 11182 Side guide wire holder

Note:

- Light gaps increase when side-guide option is used
- Up to 15° from vertical
- Only applicable with bottom bar SG 4903

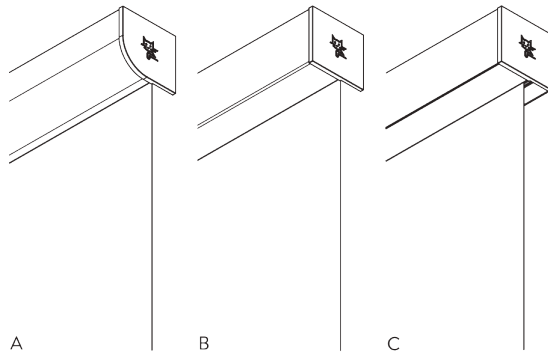
D. TWO CONNECTED SYSTEMS



Additional parts:

- 1x SG 11175 Click flange
- 1x SG 11183 Connecting bolt
- 2x SG 11184 Connection bracket cover
- 1x SG 11195 Connection tube adapter

E. FASCIA / BOX



A: Fascia round

B: Fascia square

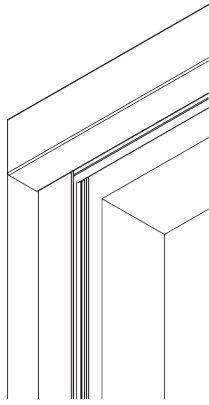
C: Box

Size:

- 110 x 110 mm

Note:

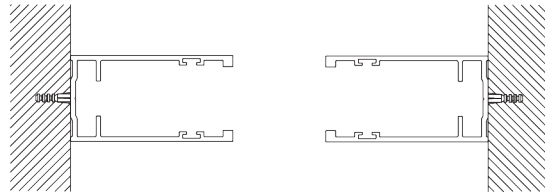
- Only applicable with bottom bar SG 10770
- Not possible with connected systems
- Two systems with one Fascia possible upon request



Optional side guide channels SG 11542 to be used with Fascia or Box.

Note:

- Only applicable with inside fitting
- Box: only recess fitting



MOTORS & CONTROLS

A. MOTOR FEATURES

| Motors | 50-Series | 20-Series | 20-Series | 10-Series K | 5-Series |
|--------|-----------|-----------|-----------|-------------|----------|
| | SG 11251 | SG 10523 | SG 10522 | SG 10514 | SG 10715 |

| Motor Features | | | | | |
|---|-------|-------|-------|-------|-------|
| Soft stop | • | • | • | | |
| Electronic end-stop | • | • | • | | |
| Electronic revolution counter (unlimited revolution) | • | • | • | | |
| Mechanical end-stop | | | | • | • |
| Mechanical revolution counter (limited revolution) | | | | • | • |
| Two intermediate positions possible | | • | | | |
| Bottom bar alignment | • | | | | |
| Noiseless stop | | • | • | • | |
| Parallel wiring possible without additional relays | | • | • | | |
| Disconnectable motor cable | • | • | • | | |
| IP class | IP 30 | IP 44 | IP 44 | IP 44 | IP 44 |
| Control Features | | | | | |
| Mains power control | | • | • | • | • |
| SG Control L (built-in receiver) | | • | | | |
| Smart by Silent Gliss | • | | | | |
| Suitable for most major home automation systems (with suitable interface) | | • | • | • | • |

B. MOTOR SPECIFICATIONS

See website for wiring diagram.

| Motors | Light gaps* C / D = driving side | Min. system width | Voltage | Current | Frequency | Speed | Frequency receiver |
|--|-------------------------------------|----------------------|----------|---------|-----------|----------|-----------------------|
| 50-Series (Smart by Silent Gliss) | | | | | | | |
| SG 11251 | C: 18 mm / D: 26 mm | 65 cm | 24 V DC | 1.5 A | - | 32 rpm | - |
| 20-Series | | | | | | | |
| SG 10522 (standard) | C: 18 mm / D: 25 mm | 65 cm | 230 V AC | 0.55 A | 50 Hz | 30 U/Min | - |
| SG 10523 | C: 18 mm / D: 25 mm | 65 cm | 230 V AC | 0.55 A | 50 Hz | 30 U/Min | 868/915 MHz |
| 10-Series K | | | | | | | |
| SG 10514 | C: 18 mm / D: 25 mm | 53 cm | 230 V AC | 0.52 A | 50 Hz | 30 U/Min | - |
| 5-Series | | | | | | | |
| SG 10715 | C: 18 mm / D: 25 mm | 65 cm | 230 V AC | 0.485 A | 50-60 Hz | 28 U/Min | - |

*Light gaps Fascia or Box: C +3 mm / D +2 mm (20-Series: C +2 mm / D +2 mm)

C. OPERATING METHODS

See catalogue "controls" for details.

Wall Switch



System can be operated by fixed wall switch.

SG Control L



Various radio hand-held and wall transmitters available.



Silent Gliss Move App.

Smart by Silent Gliss



Open designed two-way communication system which allows to flawlessly integrate products with most major building management systems.

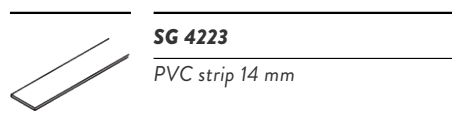
D. WIRING DIAGRAMS



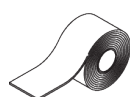
Refer to Silent Gliss website.

PARTS

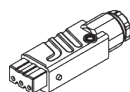
A. STANDARD PARTS



SG 4223
PVC strip 14 mm



SG 4226
Double tape 30 mm



SG 9917
Hirschmann portable socket-outlet STAK 3 N



SG 10284
O-Ring



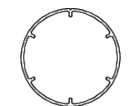
SG 10522
Motor 230V AC, 20-Series S 3/30



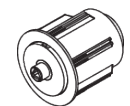
SG 10760
Bottom bar



SG 10761
End cover



SG 11037
Tube ø 60 mm



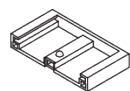
SG 11165
Tube adapter



SG 11172
Bracket



SG 11173
Bracket cover



SG 11174
Bracket cover



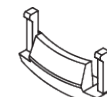
SG 11175
Click flange



SG 11176
Tube adapter



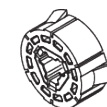
SG 11177
Motor support



SG 11179
Cover

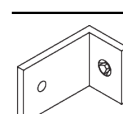


SG 11323
PT Screw Countersunk KA35x12

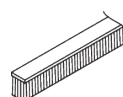


SG 11358
Motor drive 10/20-Series

B. OPTIONAL PARTS



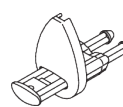
SG 3036
Bracket 47 mm



SG 4508
Brush 5x7 mm



SG 4903
Bottom bar



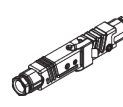
SG 4944
Side guide end cover



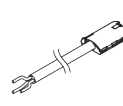
SG 4948
Side guide wire ø 1.5 mm



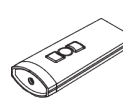
SG 8249
Side guide device



SG 9916
Hirschmann plug set



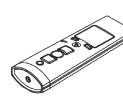
SG 10293
Cable 230V AC, 2/3/5/10 m



SG 10300
Radio hand held 1 channel



SG 10302
Radio hand held 5+1 channel



SG 10303
Radio hand held 10+2+1 channel



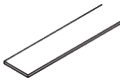
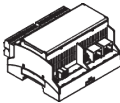


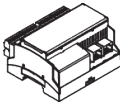


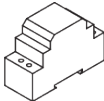


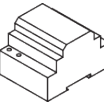


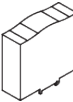



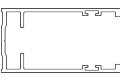

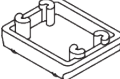




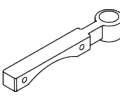

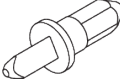



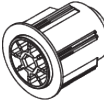



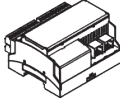
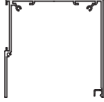
SG 10498
Countersunk screw 2.9x9.5



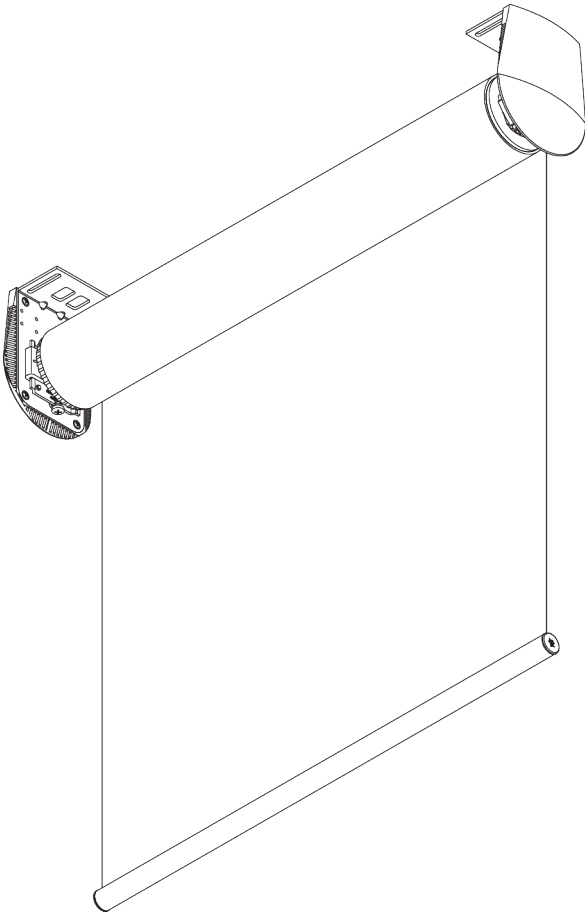
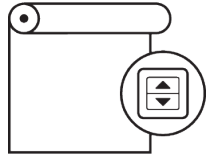
SG 10514
Tubular motor 230V AC, 10 Series S 3/30 K



SG 10523
Motor 230V AC, 20-Series S 3/30, radio receiver

| | | | | | |
|---|---|---|---|---|--|
|  | SG 10668 PVC strip 10 mm |  | SG 11261 Gateway KNX |  | SG 11534 Box cover 110 mm |
|  | SG 10715 Tubular motor 230V AC, 5 Series S 6/28 |  | SG 11262 Expansion unit |  | SG 11537 Bracket cover round left 110 mm |
|  | SG 10770 Bottom bar |  | SG 11263 Power supply 24V DC, 2.5A DIN Rail |  | SG 11538 Bracket cover round right 110 mm |
|  | SG 10771 End cover |  | SG 11264 Power supply 24V DC, 3.8A DIN Rail |  | SG 11539 Bracket cover square left 110 mm |
|  | SG 10804 Radio hand held 15+5+1 channel |  | SG 11265 Power supply 24V DC, 5A DIN Rail |  | SG 11540 Bracket cover square right 110 mm |
|  | SG 11178 End cover |  | SG 11266 Power supply 24V DC, 10A DIN Rail |  | SG 11542 Side guide channel |
|  | SG 11180 Clamp |  | SG 11311 Bracket spacer |  | SG 11544 Bracket left 110 mm |
|  | SG 11181 Installation profile |  | SG 11460 Cover for Hirschmann plug |  | SG 11545 Bracket right 110 mm |
|  | SG 11182 Side guide wire holder |  | SG 11480 Radio wall transmitter 1 channel | | |
|  | SG 11183 Connection bolt |  | SG 11490 Radio wall transmitter 5+1 channel | | |
|  | SG 11184 Connection bracket cover |  | SG 11530 Installation profile fascia 110 mm | | |
|  | SG 11195 Connection tube adapter |  | SG 11531 Fascia round 110 mm | | |
|  | SG 11251 Motor 24V DC, 50-Series S 3/32 |  | SG 11532 Fascia square 110 mm | | |
|  | SG 11260 Gateway Cedia |  | SG 11533 Box case 110 mm | | |

SG 4880



PRODUCT INFORMATION

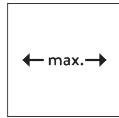
- **Operation:** motorised
- **Range:** L
- **Fitting:** ceiling, wall, recess
- **Colours:** white RAL 9016 or anodised aluminum, special colours possible
- **Fabrics:** refer to Silent Gliss fabric collection

Features:

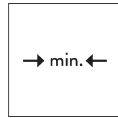
- Quiet and fast motors
- Soft stop
- Various control options
- Stainless steel brackets, adjustable for vertical alignment of fabric

SYSTEM SPECIFICATIONS

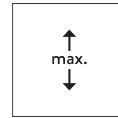
A. SYSTEM DIMENSIONS



Tube SG 4901: 4 m
Tube SG 4957: 5 m



72 cm*
*see motor specification table



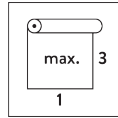
Tube SG 4901: 12 m
Tube SG 4957: 9 m



36 m²



23 kg



Recommended width /
height ratio
max. 1:3

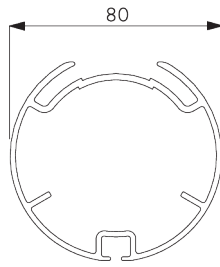
Maximum surface area

| B ↓ | A → | | | | | | | | ● SG 4901 (ø 80 mm) |
|--------|-----|-------|-----|------------------------|-----|-------|-----|--|-------------------------|
| | 2 m | 2.5 m | 3 m | 3.5 m | 4 m | 4.5 m | 5 m | | |
| 2 m | ● | ● | ● | ● | ○ | ○ | ○ | | |
| 2.5 m | ● | ● | ● | ● | ○ | ○ | ○ | | |
| 3 m | ● | ● | ● | ● | ○ | ○ | ○ | | |
| 3.5 m | ● | ● | ● | ● | ○ | ○ | ○ | | |
| 4 m | ● | ● | ● | ● | ○ | ○ | ○ | | |
| 4.5 m | ● | ● | ● | ● | ○ | ○ | ○ | | |
| 5 m | ● | ● | ● | ● | ○ | ○ | ○ | | |
| 5.5 m | ● | ● | ● | ● | ○ | ○ | ○ | | |
| 6 m | ● | ● | ● | ● | ○ | ○ | ○ | | |
| 6.5 m | ● | ● | ● | ● | ○ | ○ | ○ | | |
| 7 m | ● | ● | ● | ● | ○ | ○ | ○ | | |
| 7.5 m | ● | ● | ● | ● | ○ | ○ | | | |
| 8 m | ● | ● | ● | ● | ○ | ○ | | | |
| 8.5 m | ● | ● | ● | ● | ○ | | | | |
| 9 m | ● | ● | ● | ● | ○ | | | | |
| 9.5 m | ● | ● | ● | ● | | | | | |
| 10 m | ● | ● | ● | ● | | | | | |
| 10.5 m | ● | ● | ● | | | | | | |
| 11 m | ● | ● | ● | | | | | | |
| 11.5 m | ● | ● | ● | max. 36 m ² | | | | | |
| 12 m | ● | ● | ● | | | | | | |



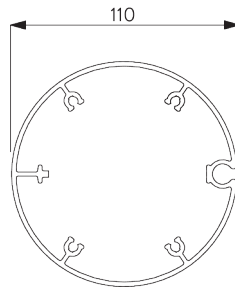
B. PROFILE

Profile information



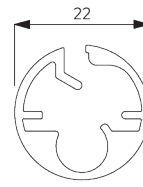
SG 4901

Tube ø 80 mm



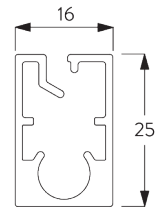
SG 4957

Tube ø 110 mm



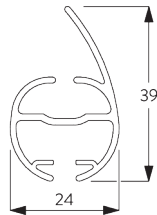
SG 10760

Bottom bar



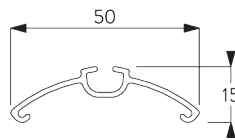
SG 10770

Bottom bar



SG 4903

Bottom bar

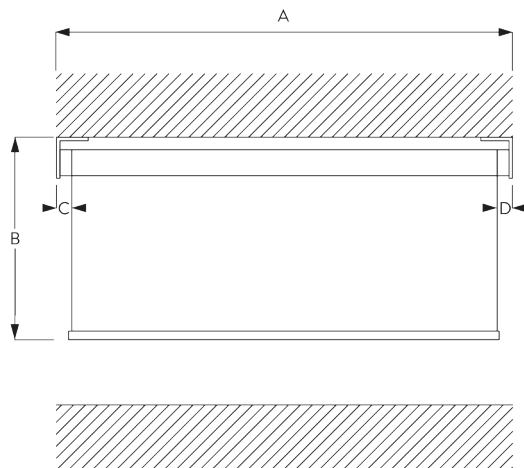


SG 4902

Profile

C. HOW TO MEASURE

incl. bracket covers
(15 mm)



A: System width
B: System height

Tube SG 4901 (ø 80 mm):
C: Light gap: 44 mm
D: Light gap operation side: 50 mm

Tube SG 4957 (ø 110 mm):
C: Light gap: 42 mm
D: Light gap operation side: 52 mm

Note:
Different light gaps see motor specifications.
All measurements include 15 mm for bracket cover per side!

FITTING

A. FITTING INFORMATION

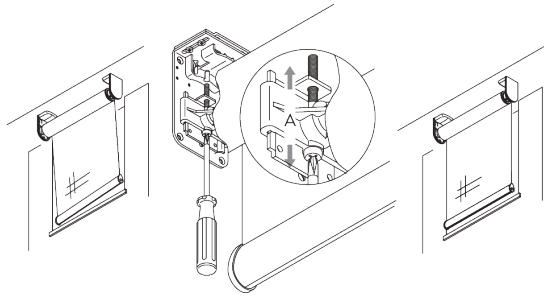
For detailed fitting information, visit the Silent Gliss website.

Fixing points



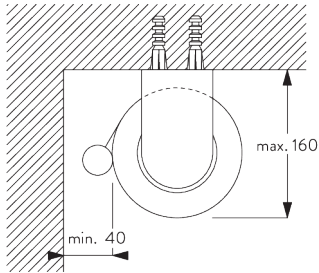
*30 mm without cover
*43 mm with cover

**Adjustable brackets
(for vertical
adjustments)**

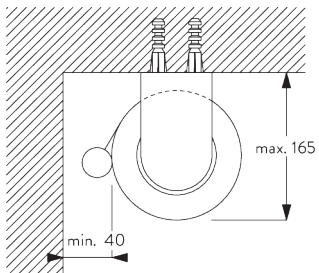


Vertical adjustment of fabric to the window frame.

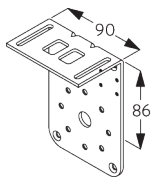
B. CEILING FITTING



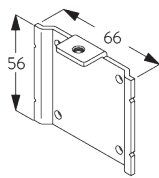
Tube SG 4901 (ø 80 mm)



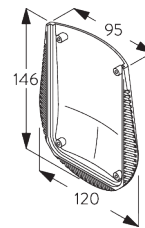
Tube SG 4957 (ø 110 mm)



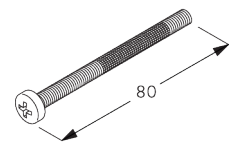
SG 4904
Bracket (set SG 4949)



SG 4906
Plate (set SG 4949)

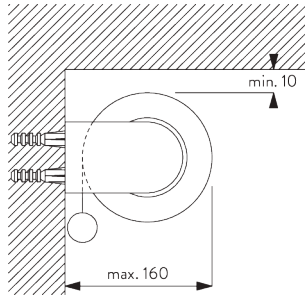


SG 4956
Bracket cover

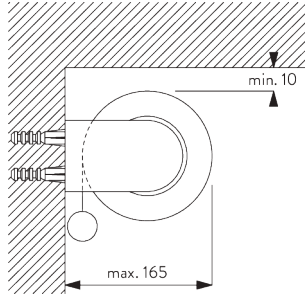


SG 4966
Special screw (set SG 4949)

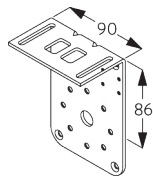
C. WALL FITTING



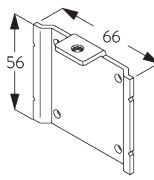
Tube SG 4901 (ø 80 mm)



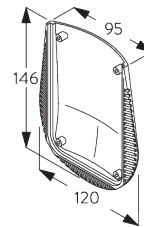
Tube SG 4957 (ø 110 mm)



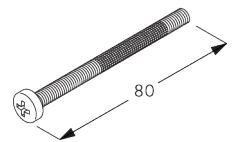
SG 4904
Bracket (set SG 4949)



SG 4906
Plate (set SG 4949)

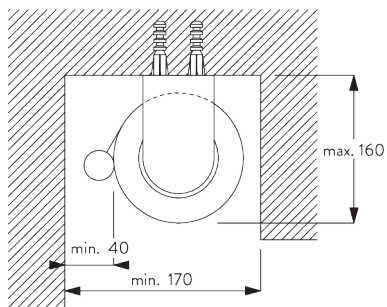


SG 4956
Bracket cover

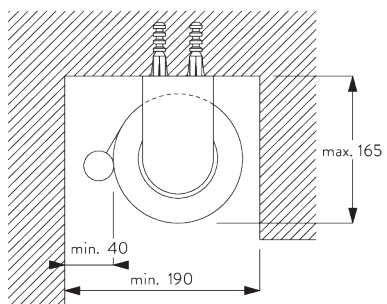


SG 4966
Special screw (set SG 4949)

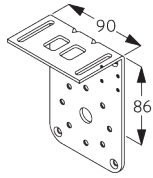
D. RECESS FITTING



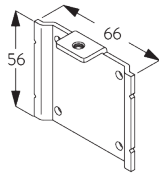
Tube SG 4901 (ø 80 mm)



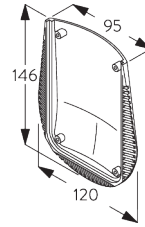
Tube SG 4957 (ø 110 mm)



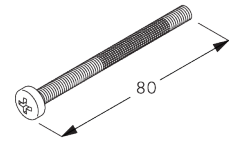
SG 4904
Bracket (set SG 4949)



SG 4906
Plate (set SG 4949)

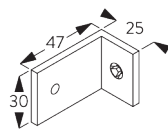
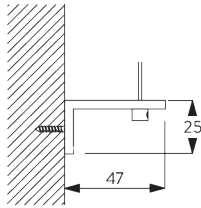


SG 4956
Bracket cover

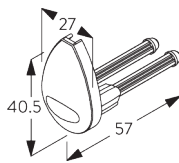


SG 4966
Special screw (set SG 4949)

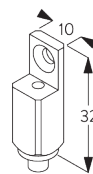
**E. FITTING WITH
SIDE GUIDE
OPTION**



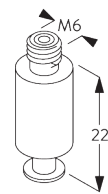
SG 3036
Bracket 47 mm



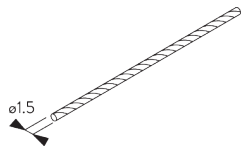
SG 4944
Side guide end cover



SG 4946
Side guide wire rope fastener



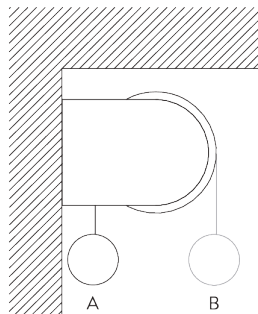
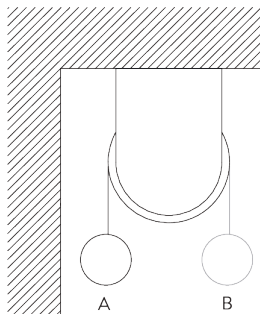
SG 4947
Side guide wire rope fastener



SG 4948
Side guide wire ø 1.5 mm

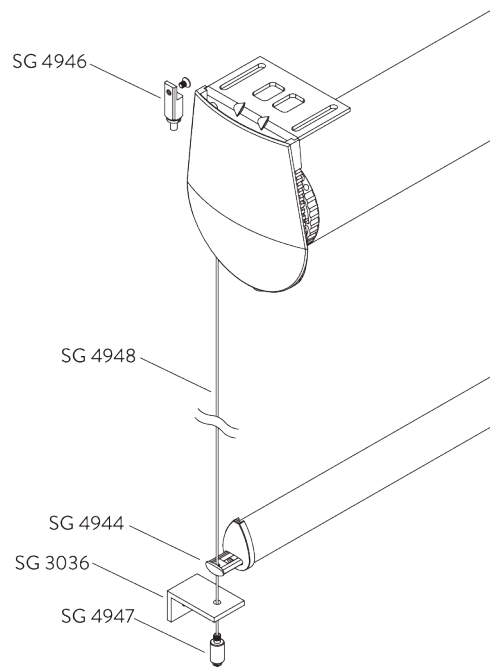
SYSTEM OPTIONS

A. FABRIC ROLL-OFF



A: Fabric roll-off window side (standard)
B: Fabric roll-off room side (option)

B. SIDE GUIDES



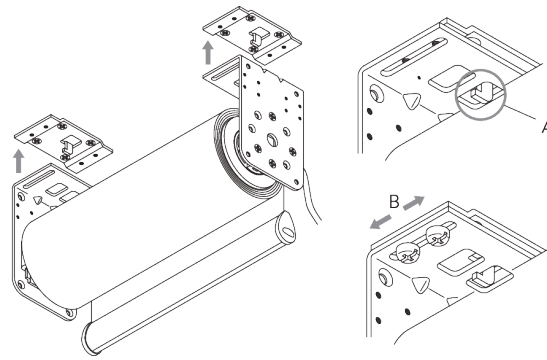
Additional parts:

- 2x SG 3036 Bracket 47 mm
- 2x SG 4944 Side guide end cover
- 2x SG 4946 Side guide wire rope fastener
- 2x SG 4947 Side guide wire rope fastener
- 2x SG 4948 Side guide wire \varnothing 1.5 mm

Note:

- Light gaps increase when side-guide option is used
- Up to 15° from vertical

C. HOOK-IN INSTALLATION PLATES



- A: Hook-in plates SG 4972 take the weight of the blind
B: Brackets sideways adjustable by up to 18 mm.

MOTORS & CONTROLS

A. MOTOR FEATURES

| Motors | 50-Series | 20-Series | 20-Series |
|--------|-----------|-----------|-----------|
| | SG 11255 | SG 10327 | SG 10326 |

Motor Features

| | | | |
|--|-------|-------|-------|
| Soft stop | ● | ● | ● |
| Electronic end-stop | ● | ● | ● |
| Electronic revolution counter (unlimited revolution) | ● | ● | ● |
| Two intermediate positions possible | | ● | |
| Bottom bar alignment | ● | | |
| Noiseless stop | | ● | ● |
| Parallel wiring possible without additional relays | | ● | ● |
| Disconnectable motor cable | ● | ● | ● |
| IP class | IP 30 | IP 44 | IP 44 |

Control Features

| | | | |
|---|---|---|---|
| Mains power control | | | ● |
| SG Control L (built-in receiver) | | ● | |
| Smart by Silent Gliss | ● | | |
| Suitable for most major home automation systems (with suitable interface) | | ● | ● |

B. MOTOR SPECIFICATIONS

See website for wiring diagram.

Tube SG 4901

| Motors | Light gaps C / D = driving side | Min. system width | Voltage | Current | Frequency | Speed | Frequency receiver |
|--------|------------------------------------|----------------------|---------|---------|-----------|-------|-----------------------|
|--------|------------------------------------|----------------------|---------|---------|-----------|-------|-----------------------|

50-Series (Smart by Silent Gliss)

| | | | | | | | |
|----------|---------------------|-------|---------|--------|---|--------|---|
| SG 11255 | C: 44 mm / D: 51 mm | 74 cm | 24 V DC | 2.95 A | - | 20 rpm | - |
|----------|---------------------|-------|---------|--------|---|--------|---|

20-Series

| | | | | | | | |
|---------------------|---------------------|-------|----------|-------|-------|--------|-------------|
| SG 10326 (standard) | C: 44 mm / D: 50 mm | 72 cm | 230 V AC | 0.9 A | 50 Hz | 23 rpm | - |
| SG 10327 | C: 44 mm / D: 50 mm | 72 cm | 230 V AC | 0.9 A | 50 Hz | 23 rpm | 868/915 MHz |

See website for wiring diagram.

Tube SG 4957

| Motors | Light gaps C / D = driving side | Min. system width | Voltage | Current | Frequency | Speed | Frequency receiver |
|--------|------------------------------------|----------------------|---------|---------|-----------|-------|-----------------------|
|--------|------------------------------------|----------------------|---------|---------|-----------|-------|-----------------------|

50-Series (Smart by Silent Gliss)

| | | | | | | | |
|----------|---------------------|-------|---------|--------|---|--------|---|
| SG 11255 | C: 42 mm / D: 54 mm | 74 cm | 24 V DC | 2.95 A | - | 20 rpm | - |
|----------|---------------------|-------|---------|--------|---|--------|---|

20-Series

| | | | | | | | |
|---------------------|---------------------|-------|----------|-------|-------|--------|-------------|
| SG 10326 (standard) | C: 42 mm / D: 52 mm | 73 cm | 230 V AC | 0.9 A | 50 Hz | 23 rpm | - |
| SG 10327 | C: 42 mm / D: 52 mm | 73 cm | 230 V AC | 0.9 A | 50 Hz | 23 rpm | 868/915 MHz |

C. OPERATING METHODS

See catalogue "controls" for details.

Wall Switch



System can be operated by fixed wall switch.

SG Control L



Various radio hand-held and wall transmitters available.



Silent Gliss Move App.

Smart by Silent Gliss



Open designed two-way communication system which allows to flawlessly integrate products with most major building management systems.


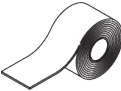


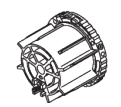
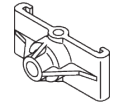

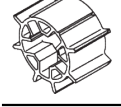
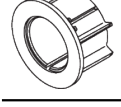
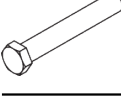
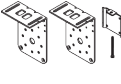

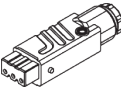
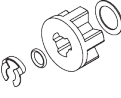
D. WIRING
DIAGRAMS


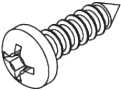
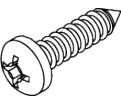
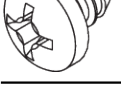





Refer to Silent Gliss website.



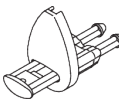
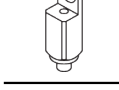


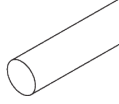
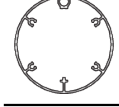
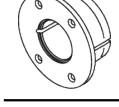
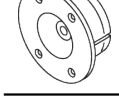

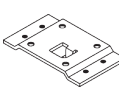
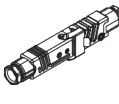
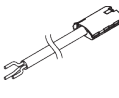
PARTS

A. STANDARD PARTS

| | |
|--|--|
|  | SG 4223 PVC strip 14 mm |
|  | SG 4226 Double tape 30 mm |
|  | SG 4901 Tube ø 80 mm |
|  | SG 4902 Profile |
|  | SG 4914 Tube adapter |
|  | SG 4915 Support |
|  | SG 4926 Motor flange |
|  | SG 4927 Motor drive |
|  | SG 4928 Tube adapter |
|  | SG 4939 Shaft |
|  | SG 4949 Bracket set |
|  | SG 4956 Bracket cover |
|  | SG 9917 Hirschmann portable socket-outlet STAK 3 N |
|  | SG 10292 Motor drive set |

| | |
|---|---|
|  | SG 10326 Tubular motor 230V AC, 20 Series M 12/23 |
|  | SG 10503 Pan head screw 3.5x13 |
|  | SG 10506 Pan head screw 3.9x16 |
|  | SG 10507 Pan head screw 3.5x6.5 |
|  | SG 10509 Countersunk head screw M5x8 |
|  | SG 10760 Bottom bar |
|  | SG 10761 End cover |

B. OPTIONAL PARTS

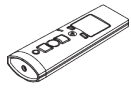
| | |
|---|---|
|  | SG 3036 Bracket 47 mm |
|  | SG 4903 Bottom bar |
|  | SG 4944 Side guide end cover |
|  | SG 4946 Side guide wire rope fastener |
|  | SG 4947 Side guide wire rope fastener |
|  | SG 4948 Side guide wire ø 1.5 mm |
|  | SG 4951 Bottom weight ø 8 mm |
|  | SG 4957 Tube ø 110 mm |
|  | SG 4959 Tube adapter |
|  | SG 4961 Tube adapter |
|  | SG 4962 Motor drive |
|  | SG 4972 Installation plate |
|  | SG 9916 Hirschmann plug set |
|  | SG 10293 Cable 230V AC, 2/3/5/10 m |



SG 10300
Radio hand held 1 channel



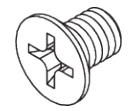
SG 10302
Radio hand held 5+1 channel



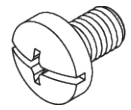
SG 10303
Radio hand held 10+2+1 channel



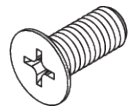
SG 10327
Tubular motor 230V AC, 20 Series M 12/23, radio receiver



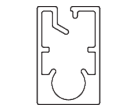
SG 10502
Countersunk head screw M4x6



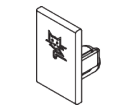
SG 10504
Pan head screw Freedrive M5x8



SG 10508
Countersunk head screw M5x12



SG 10770
Bottom bar



SG 10771
End cover



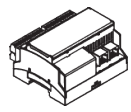
SG 10804
Radio hand held 15+5+1 channel



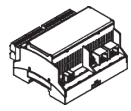
SG 11178
End cover



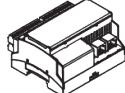
SG 11255
Motor 24V DC, 50-Series M 10/20



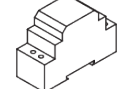
SG 11260
Gateway Cedia



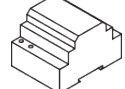
SG 11261
Gateway KNX



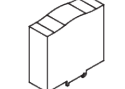
SG 11262
Expansion unit



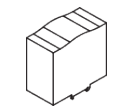
SG 11263
Power supply 24V DC, 2.5A DIN Rail



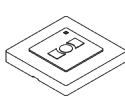
SG 11264
Power supply 24V DC, 3.8A DIN Rail



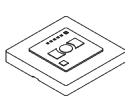
SG 11265
Power supply 24V DC, 5A DIN Rail



SG 11266
Power supply 24V DC, 10A DIN Rail



SG 11480
Radio wall transmitter 1 channel



SG 11490
Radio wall transmitter 5+1 channel

The Architects of Silence

Silent Gliss is the leading global supplier of premium interior window treatments. Since 1952 we have been tirelessly committed to the development of the worlds` smoothest, quietest systems using state of the art technology.

Driven by customer needs, Silent Gliss offers functional and durable products. Expert technical advice coupled with installation and support services complete the offer. Silent Gliss stands for innovative, sustainable, tailor made solutions, exceptional design and first-class quality.

Silent Gliss Iberia, S.L.

C/Muntaner, 231 2º 1aA

08021 Barcelona

T+34 931 187 843

info@silentgliss.es

Av. Canteras, 64, Módulo 2

Nave A

28343 Valdemoro (Madrid)

T+34 912 963 831

info@silentgliss.es

silentgliss.es