

# PANEL GLIDE SYSTEMS



# GENERAL NOTES

## **Dimensions**

- *Measurements are in mm except where indicated.*
- *Max. kg relates to fabric incl. accessories.*
- *Stack size depends on panel width.*
- *Recommended distance floor / fabric: 20 mm.*
- *In order to determine system height (B), the smallest room height must be taken into account.*





## **Fitting**

- *Installation by qualified fitter only.*
- *Number of brackets and fitting positions / fixing points vary depending on fitting surface, system weight, fabric make-up, screw / fixing type and obstacles.*
- *Qualified fitter must use appropriate screws / fixings for each situation.*
- *Profile lip if applicable to be installed to room side.*
- *Electrical installations must be carried out according to Silent Gliss wiring diagrams and conform to local regulations.*
- *Check space for cables and plugs!*

## **Child Safety**

- *All relevant Silent Gliss systems correspond to child safety EN 13120.*
- *All parties involved must comply with EN 13120.*

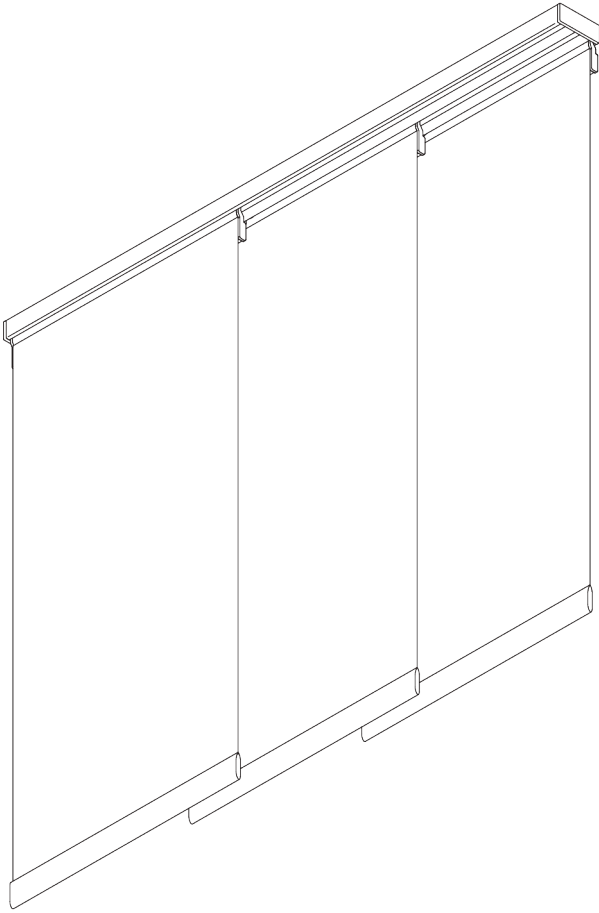
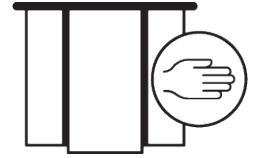
# APPLICATION CHART

<u>PAGE</u>	<u>SYSTEM</u>	<u>OPERATION</u>	<u>DIMENSION</u>	← max. →	↑ max. ↓	kg <sub>max.</sub>
5	<b>SG 2700</b>		S - L		4 m	2 kg
15	<b>SG 2710</b>		S - L	6 m	4 m	2 kg
23	<b>SG 2730</b>		S - L		3 m	2 kg
29	<b>SG 2750</b>		S - L	6 m	4 m	2 kg



# SG 2700

---



## PRODUCT INFORMATION

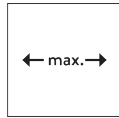
- **Operation:** hand
- **Range:** S - L
- **Fitting:** ceiling, wall, recess
- **Colours:** white RAL 9016 or anodised aluminum, special colours possible
- **Fabrics:** refer to Silent Gliss fabric collection

### **Features:**

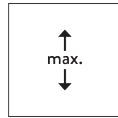
- 2-component (2C) roller technology
- Silent and smooth running
- Aluminium carriers
- Free floating or connected panels

# SYSTEM SPECIFICATIONS

## A. SYSTEM DIMENSIONS



Panels free floating:  
unlimited  
Panels connected: 6 m



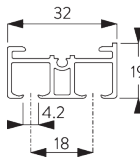
4 m



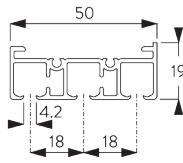
Max. 2 kg per m

## B. PROFILE

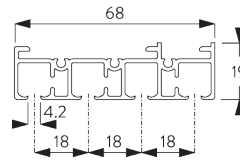
### Profile information



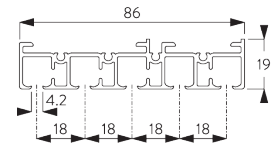
**SG 10122**  
Profile 2-channel



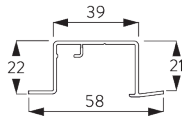
**SG 10123**  
Profile 3-channel



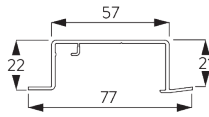
**SG 10124**  
Profile 4-channel



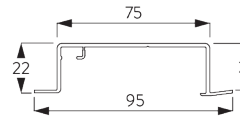
**SG 10125**  
Profile 5-channel



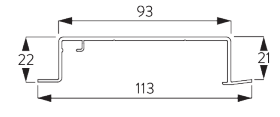
**SG 10172**  
Recess profile 2-channel



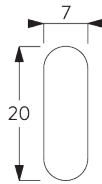
**SG 10173**  
Recess profile 3-channel



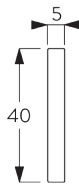
**SG 10174**  
Recess profile 4-channel



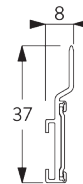
**SG 10175**  
Recess profile 5-channel



**SG 2004**  
Bottom bar 20x7 mm

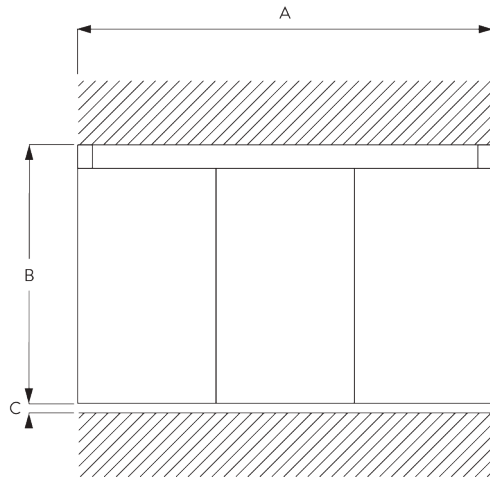


**SG 2005**  
Bottom bar 40x5 mm



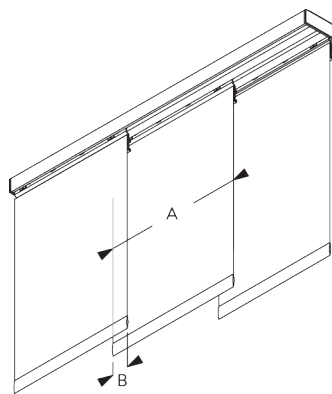
**SG 10230**  
Carrier alu

**C. HOW TO  
MEASURE**



A: System width  
B: System height  
C: Distance between floor and fabric

**Dimensions of Panels**



**Free floating:**

A: Recommended panel width: 500 - 1200

**Connected:**

A: Recommended panel width: 500 - 1200

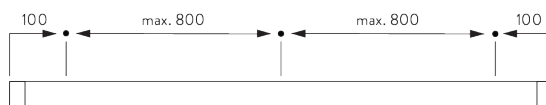
B: Overlap: min. 50

**FITTING**

**A. FITTING  
INFORMATION**

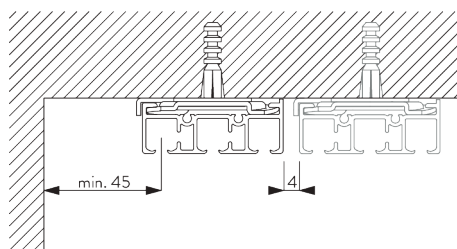
For detailed fitting information, visit the Silent Gliss website.

**Fixing points**

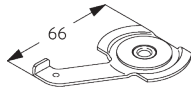


**B. CEILING FITTING**

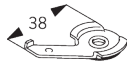
**Clamp SG 3003 /  
SG 3004**



Clamp	SG 10122	SG 10123	SG 10124	SG 10125
SG 3004	X			
SG 3003		X	X	X

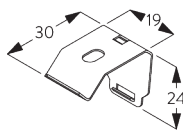
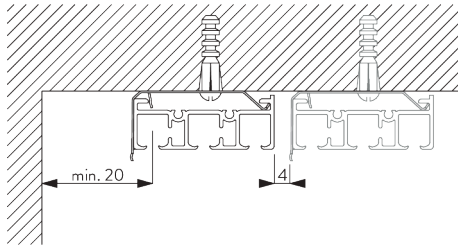


**SG 3003**  
Clamp

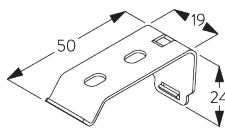


**SG 3004**  
Clamp

**Bracket SG 10136 / SG 10137**



**SG 10136**  
Bracket

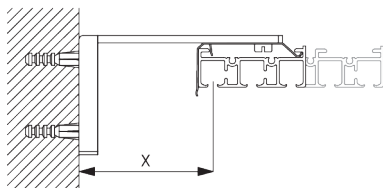


**SG 10137**  
Bracket

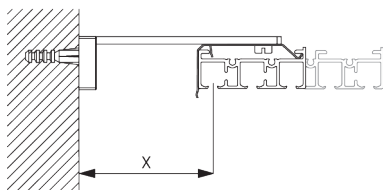
Bracket	SG 10122	SG 10123	SG 10124
SG 10136	X		
SG 10137		X	X

**C. WALL FITTING**

**Smart Fix**



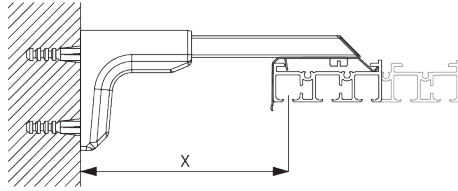
**Smart Fix SG 11200 - SG 11204:**  
Bracket SG 10136 for 2 channel profile.  
Bracket SG 10137 for more than 2 channel profiles.  
Screw SG 10395 (M4x6) needed.



**Square Smart Fix SG 11210 - SG 11214:**  
Bracket SG 10136 for 2 channel profile.  
Bracket SG 10137 for more than 2 channel profiles.  
Screw SG 10395 (M4x6) needed.

Smart Fix	X mm (SG 10122)	X mm (SG 10123)	X mm (SG 10124)	X mm (SG 10125)
SG 11200 / SG 11210	43	24	24	24
SG 11201 / SG 11211	63	44	44	44
SG 11202 / SG 11212	83	64	64	64
SG 11203 / SG 11213	103	84	84	84
SG 11204 / SG 11214	133	114	114	114
SG 11154	93-121	74-102	74-102	74-102
SG 11155	123-151	104-132	104-132	104-132
SG 11156	172-201	154-182	154-182	154-182



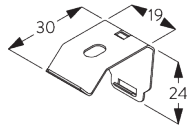


**Universal Smart Fix SG 11154 - SG 11156:**

Bracket SG 10136 for 2 channel profile.

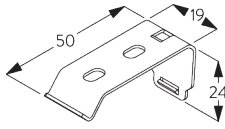
Bracket SG 10137 for more than 2 channel profiles.

Screw SG 10492 (M4x8) needed.



**SG 10136**

Bracket



**SG 10137**

Bracket



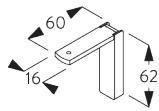
**SG 10395**

Pan head screw M4x6



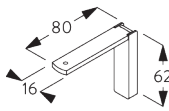
**SG 10492**

Pan head screw M4x8



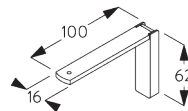
**SG 11200**

Smart Fix 60 mm



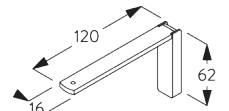
**SG 11201**

Smart Fix 80 mm



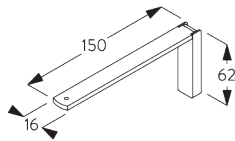
**SG 11202**

Smart Fix 100 mm



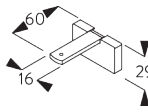
**SG 11203**

Smart Fix 120 mm



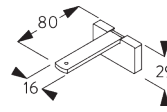
**SG 11204**

Smart Fix 150 mm



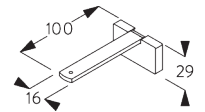
**SG 11210**

Square Smart Fix 60 mm



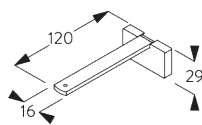
**SG 11211**

Square Smart Fix 80 mm



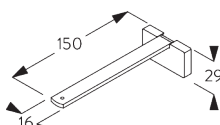
**SG 11212**

Square Smart Fix 100 mm



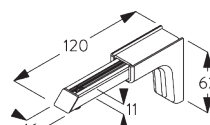
**SG 11213**

Square Smart Fix 120 mm



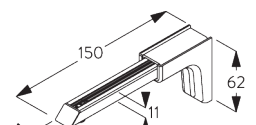
**SG 11214**

Square Smart Fix 150 mm



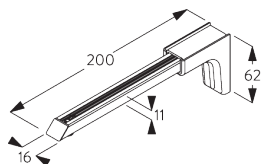
**SG 11154**

Universal Smart Fix 120 mm



**SG 11155**

Universal Smart Fix 150 mm

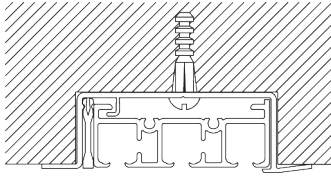


**SG 11156**

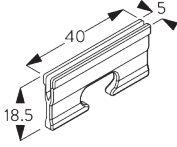
Universal Smart Fix 200 mm

## D. RECESS FITTING

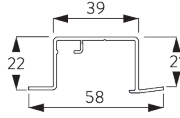
### Recess profiles SG 10172 - SG 10175



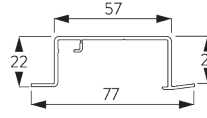
One wedge SG 10157 per fixing point.  
For detailed recess fitting, visit the Silent Gliss website.



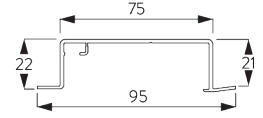
**SG 10157**  
Wedge



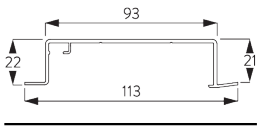
**SG 10172**  
Recess profile 2-channel



**SG 10173**  
Recess profile 3-channel



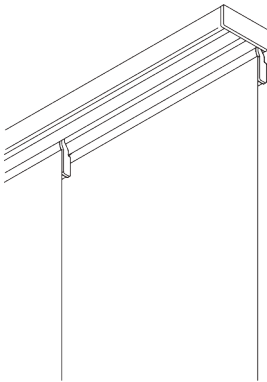
**SG 10174**  
Recess profile 4-channel



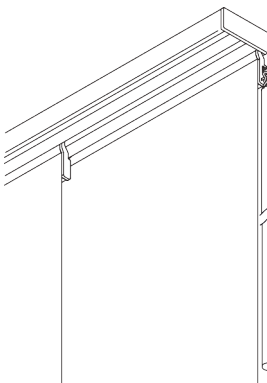
**SG 10175**  
Recess profile 5-channel

# SYSTEM OPTIONS

## A. OPERATION



Free floating (unconnected panels)



Connected panels (draw rod optional)

**B. PANEL STACKING**  
**(CONNECTED)**



*Single stack*  
*Note: dot = fixed panel*


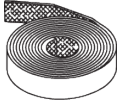
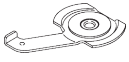

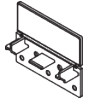

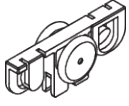





*Pair stack*  
*Note: dot = fixed panel*


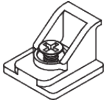

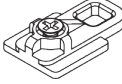

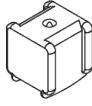
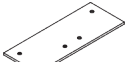
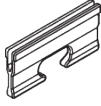
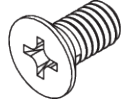


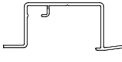






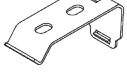
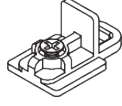
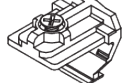
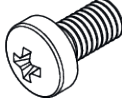
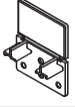
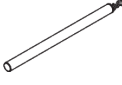
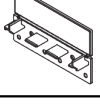
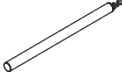
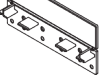

*Other variations are possible.*

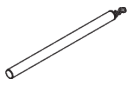
# PARTS

## A. STANDARD PARTS

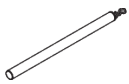
	<b>SG 2004</b> Bottom bar 20x7 mm
	<b>SG 2539</b> Tape
	<b>SG 3003</b> Clamp
	<b>SG 10123</b> Profile 3-channel
	<b>SG 10143</b> Cover
	<b>SG 10159</b> Countersunk head screw 3.5x13
	<b>SG 10200</b> 2C roller
	<b>SG 10230</b> Carrier alu
	<b>SG 10252</b> End cover left
	<b>SG 10253</b> End cover right

## B. OPTIONAL PARTS

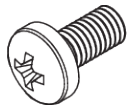
	<b>SG 2005</b> Bottom bar 40x5 mm		<b>SG 10146</b> Angle
	<b>SG 3004</b> Clamp		<b>SG 10148</b> Eyelet for draw rod
	<b>SG 3008</b> Connection bridge		<b>SG 10156</b> End stop
	<b>SG 6024</b> Connection bridge		<b>SG 10157</b> Wedge
	<b>SG 10074</b> Countersunk head screw M4x8		<b>SG 10158</b> Click glider
	<b>SG 10122</b> Profile 2-channel		<b>SG 10172</b> Recess profile 2-channel
	<b>SG 10124</b> Profile 4-channel		<b>SG 10173</b> Recess profile 3-channel
	<b>SG 10125</b> Profile 5-channel		<b>SG 10174</b> Recess profile 4-channel
	<b>SG 10136</b> Bracket		<b>SG 10175</b> Recess profile 5-channel
	<b>SG 10137</b> Bracket		<b>SG 10340</b> Eyelet for draw rod
	<b>SG 10140</b> Angle		<b>SG 10395</b> Pan head screw M4x6
	<b>SG 10142</b> End cover		<b>SG 10430</b> Draw rod 50 cm
	<b>SG 10144</b> End cover		<b>SG 10431</b> Draw rod 75 cm
	<b>SG 10145</b> End cover		<b>SG 10432</b> Draw rod 100 cm



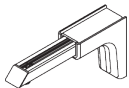
**SG 10433**  
Draw rod 125 cm



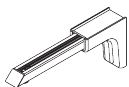
**SG 10434**  
Draw rod 150 cm



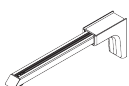
**SG 10492**  
Pan head screw M4x8



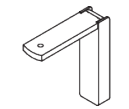
**SG 11154**  
Universal Smart Fix 120 mm



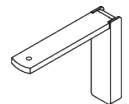
**SG 11155**  
Universal Smart Fix 150 mm



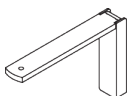
**SG 11156**  
Universal Smart Fix 200 mm



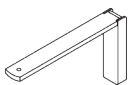
**SG 11200**  
Smart Fix 60 mm



**SG 11201**  
Smart Fix 80 mm



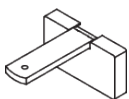
**SG 11202**  
Smart Fix 100 mm



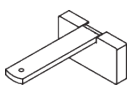
**SG 11203**  
Smart Fix 120 mm



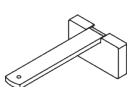
**SG 11204**  
Smart Fix 150 mm



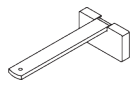
**SG 11210**  
Square Smart Fix 60 mm



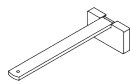
**SG 11211**  
Square Smart Fix 80 mm



**SG 11212**  
Square Smart Fix 100 mm



**SG 11213**  
Square Smart Fix 120 mm

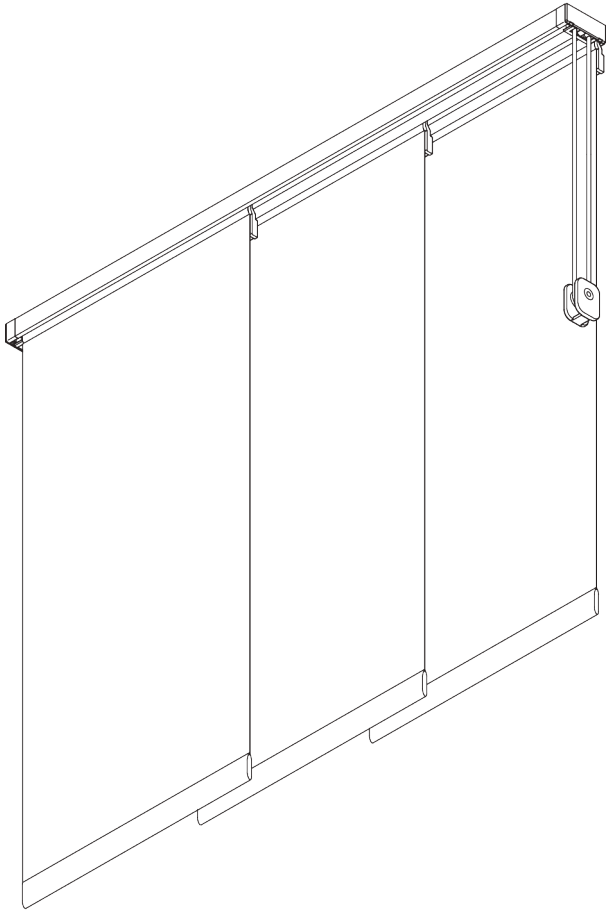
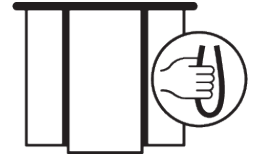


**SG 11214**  
Square Smart Fix 150 mm



# SG 2710

---



## PRODUCT INFORMATION

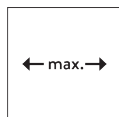
- **Operation:** cord
- **Range:** S - L
- **Fitting:** ceiling, wall, recess
- **Colours:** white RAL 9016 or anodised aluminum, special colours possible
- **Fabrics:** refer to Silent Gliss fabric collection

### **Features:**

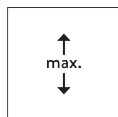
- 2-component (2C) roller technology
- Silent and smooth running
- Aluminium carriers

# SYSTEM SPECIFICATIONS

## A. SYSTEM DIMENSIONS



6 m



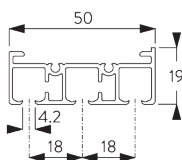
4 m



max. 2 kg per m

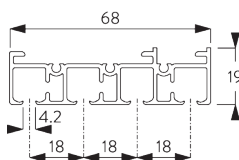
## B. PROFILE

### Profile information



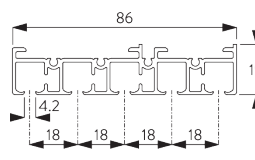
**SG 10123**

Profile 3-channel



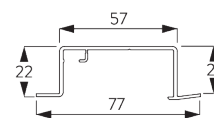
**SG 10124**

Profile 4-channel



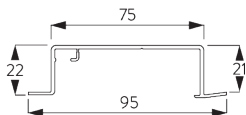
**SG 10125**

Profile 5-channel



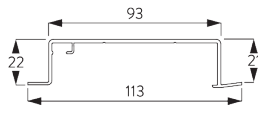
**SG 10173**

Recess profile 3-channel



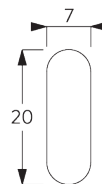
**SG 10174**

Recess profile 4-channel



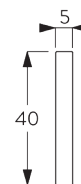
**SG 10175**

Recess profile 5-channel



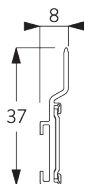
**SG 2004**

Bottom bar 20x7 mm



**SG 2005**

Bottom bar 40x5 mm

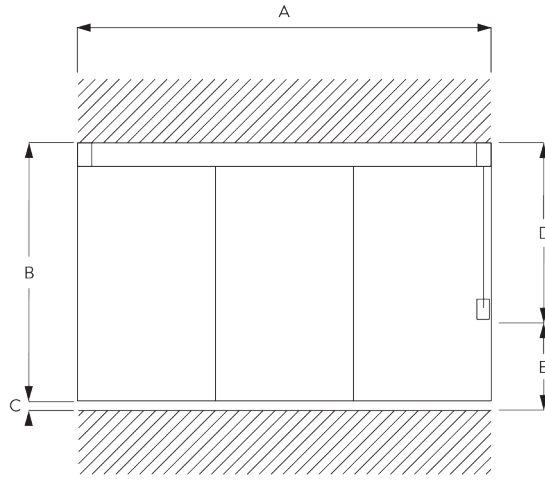


**SG 10230**

Carrier alu

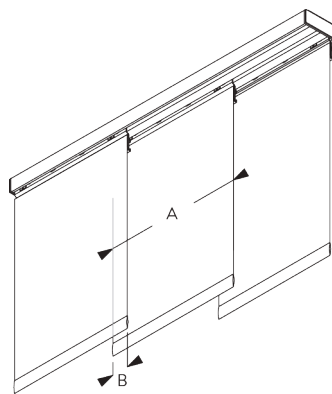


**C. HOW TO  
MEASURE**



- A: System width
- B: System height
- C: Distance between floor and fabric
- D: Cord height
- E: Safety Retainer SG 10731 min. 150 cm above floor

**Dimensions of Panels**



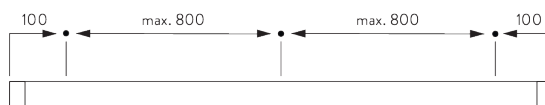
- A: Recommended panel width: 500 - 1200
- B: Overlap: min. 50

**FITTING**

**A. FITTING  
INFORMATION**

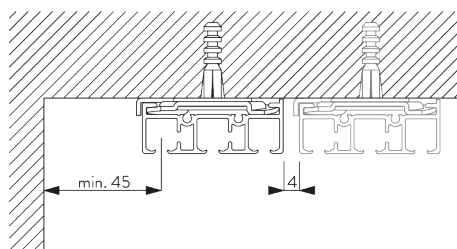
For detailed fitting information, visit the Silent Gliss website.

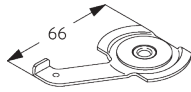
**Fixing points**



**B. CEILING FITTING**

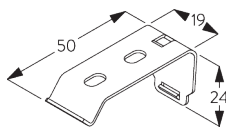
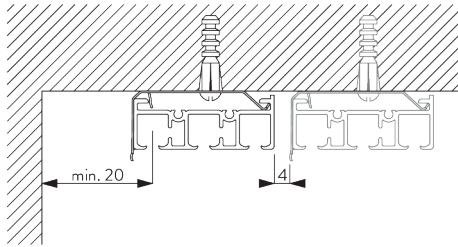
**Clamp SG 3003**





**SG 3003**  
Clamp

**Bracket SG 10137**

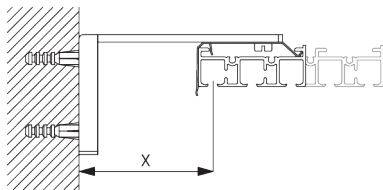


**SG 10137**  
Bracket

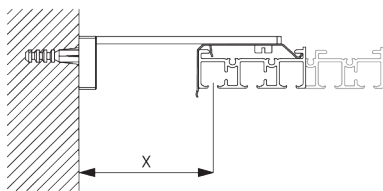
Bracket	SG 10123	SG 10124
SG 10137	X	X

**C. WALL FITTING**

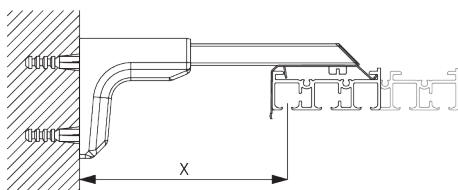
**Smart Fix**



**Smart Fix SG 11200 - SG 11204:**  
Screw SG 10395 (M4x6) needed.

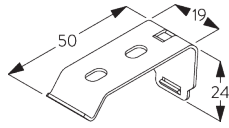


**Square Smart Fix SG 11210 - SG 11214:**  
Screw SG 10395 (M4x6) needed.



**Universal Smart Fix 11154 - SG 11156:**  
Screw SG 10492 (M4x8) needed.

Smart Fix	X mm (SG 10123)	X mm (SG 10124)	X mm (SG 10125)
SG 11200 / SG 11210	24	24	24
SG 11201 / SG 11211	44	44	44
SG 11202 / SG 11212	64	64	64
SG 11203 / SG 11213	84	84	84
SG 11204 / SG 11214	114	114	114
SG 11154	74-102	74-102	74-102
SG 11155	104-132	104-132	104-132
SG 11156	154-182	154-182	154-182



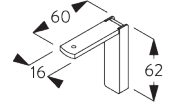
**SG 10137**  
Bracket



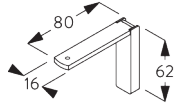
**SG 10395**  
Pan head screw M4x6



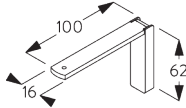
**SG 10492**  
Pan head screw M4x8



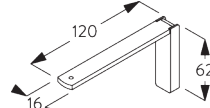
**SG 11200**  
Smart Fix 60 mm



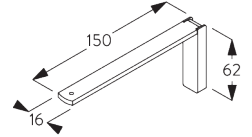
**SG 11201**  
Smart Fix 80 mm



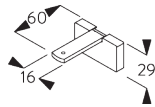
**SG 11202**  
Smart Fix 100 mm



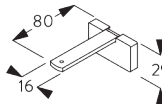
**SG 11203**  
Smart Fix 120 mm



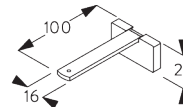
**SG 11204**  
Smart Fix 150 mm



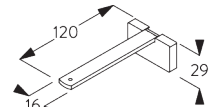
**SG 11210**  
Square Smart Fix 60 mm



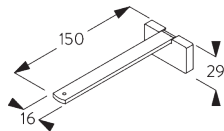
**SG 11211**  
Square Smart Fix 80 mm



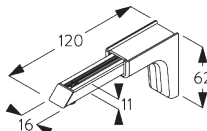
**SG 11212**  
Square Smart Fix 100 mm



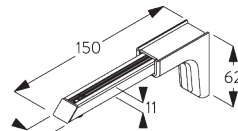
**SG 11213**  
Square Smart Fix 120 mm



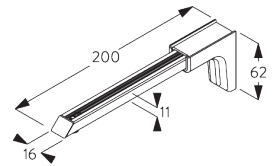
**SG 11214**  
Square Smart Fix 150 mm



**SG 11154**  
Universal Smart Fix 120 mm



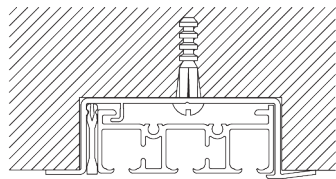
**SG 11155**  
Universal Smart Fix 150 mm



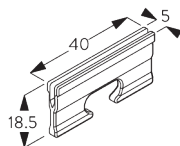
**SG 11156**  
Universal Smart Fix 200 mm

## D. RECESS FITTING

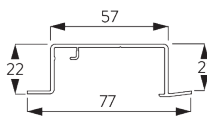
### Recess profiles SG 10173 - SG 10175



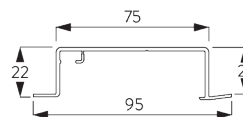
One wedge SG 10157 per fixing point.  
For detailed recess fitting, visit the Silent Gliss website.



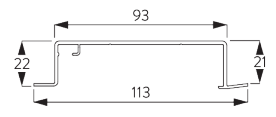
**SG 10157**  
Wedge



**SG 10173**  
Recess profile 3-channel



**SG 10174**  
Recess profile 4-channel



**SG 10175**  
Recess profile 5-channel

# SYSTEM OPTIONS

## A. PANEL STACKING



Single stack  
Note: dot = fixed panel


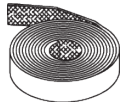
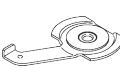


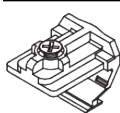
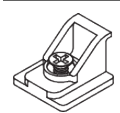
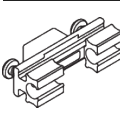
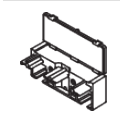
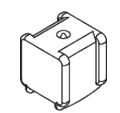

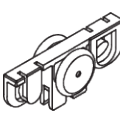




Pair stack  
Note: dot = fixed panel



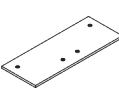


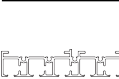
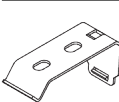
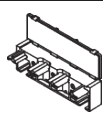
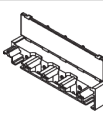
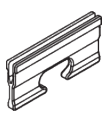
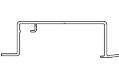


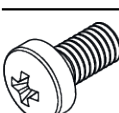
Other variations are possible.

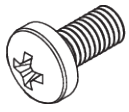
# PARTS

## A. STANDARD PARTS

	<b>SG 2004</b> Bottom bar 20x7 mm
	<b>SG 2539</b> Tape
	<b>SG 3003</b> Clamp
	<b>SG 3090</b> Cord ø 3.5 mm
	<b>SG 10123</b> Profile 3-channel
	<b>SG 10140</b> Angle
	<b>SG 10146</b> Angle
	<b>SG 10150</b> Pilot runner
	<b>SG 10153</b> Cord guide
	<b>SG 10156</b> End stop
	<b>SG 10159</b> Countersunk head screw 3.5x13
	<b>SG 10200</b> 2C roller
	<b>SG 10230</b> Carrier alu
	<b>SG 10252</b> End cover left

## B. OPTIONAL PARTS

	<b>SG 2005</b> Bottom bar 40x5 mm
	<b>SG 3340</b> Cord/chain weight
	<b>SG 6024</b> Connection bridge
	<b>SG 10074</b> Countersunk head screw M4x8
	<b>SG 10124</b> Profile 4-channel
	<b>SG 10125</b> Profile 5-channel
	<b>SG 10137</b> Bracket
	<b>SG 10154</b> Cord guide
	<b>SG 10155</b> Cord guide
	<b>SG 10157</b> Wedge
	<b>SG 10173</b> Recess profile 3-channel
	<b>SG 10174</b> Recess profile 4-channel
	<b>SG 10175</b> Recess profile 5-channel
	<b>SG 10395</b> Pan head screw M4x6

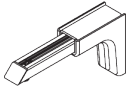


---

**SG 10492**

Pan head screw M4x8

---

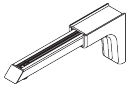


---

**SG 11154**

Universal Smart Fix 120 mm

---

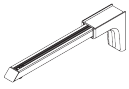


---

**SG 11155**

Universal Smart Fix 150 mm

---

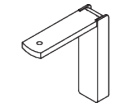


---

**SG 11156**

Universal Smart Fix 200 mm

---

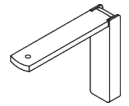


---

**SG 11200**

Smart Fix 60 mm

---

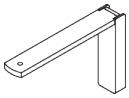


---

**SG 11201**

Smart Fix 80 mm

---

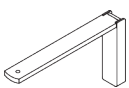


---

**SG 11202**

Smart Fix 100 mm

---



---

**SG 11203**

Smart Fix 120 mm

---

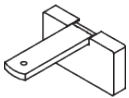


---

**SG 11204**

Smart Fix 150 mm

---

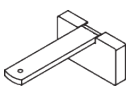


---

**SG 11210**

Square Smart Fix 60 mm

---

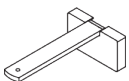


---

**SG 11211**

Square Smart Fix 80 mm

---

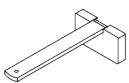


---

**SG 11212**

Square Smart Fix 100 mm

---

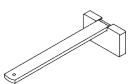


---

**SG 11213**

Square Smart Fix 120 mm

---



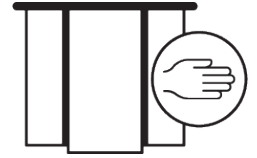
---

**SG 11214**

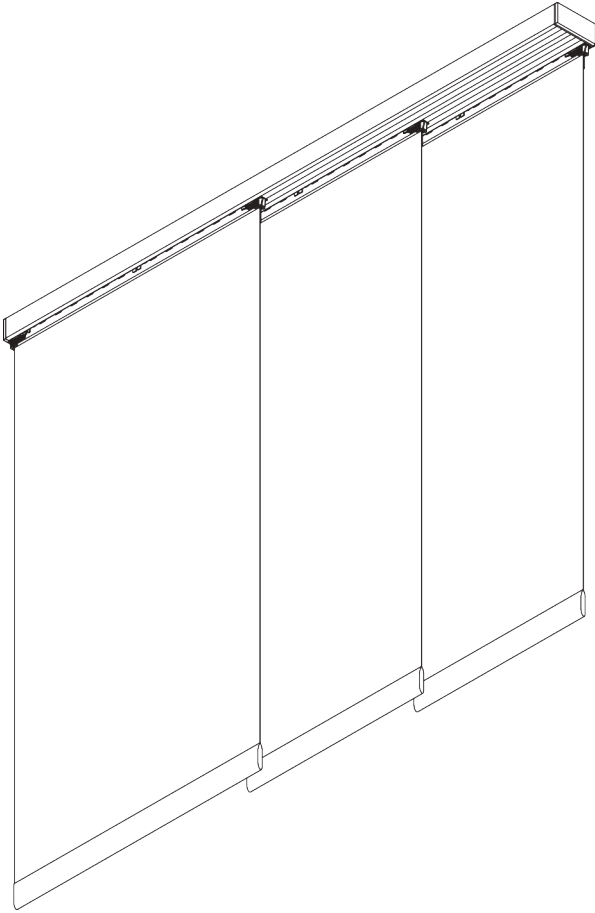
Square Smart Fix 150 mm

---

# SG 2730



## FLEX



### PRODUCT INFORMATION

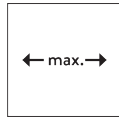
- **Operation:** hand
- **Range:** S - L
- **Fitting:** ceiling, wall
- **Colours:** white RAL 9016, anodised aluminum
- **Fabrics:** refer to Silent Gliss fabric collection

#### **Features:**

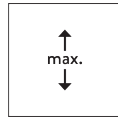
- 2-component (2C) roller technology
- Silent and smooth running
- Free floating or connected panels
- Bendable

# SYSTEM SPECIFICATIONS

## A. SYSTEM DIMENSIONS



Panels free floating:  
unlimited  
Panels connected: 6 m



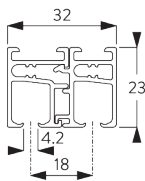
3 m



Max. 2 kg per m

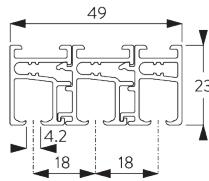
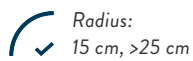
## B. PROFILE

Profile and bending information



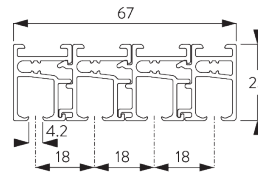
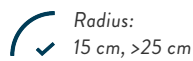
**SG 10132**

Profile 2-channel



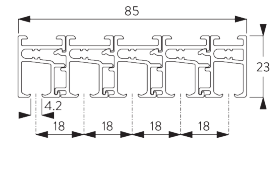
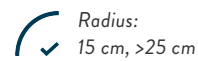
**SG 10133**

Profile 3-channel



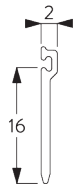
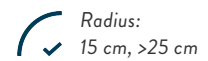
**SG 10134**

Profile 4-channel



**SG 10135**

Profile 5-channel



**SG 10179**

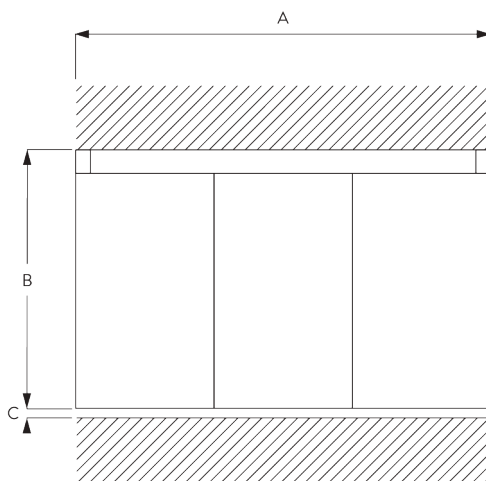
Profile



**SG 10180**

Carrier flexible

## C. HOW TO MEASURE



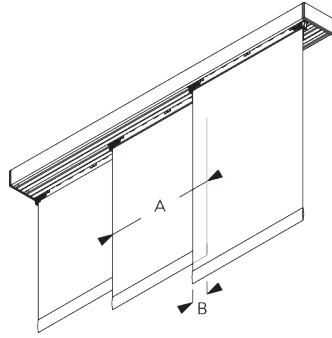
A: System width

B: System height

C: Distance between floor and fabric



## Dimensions of Panels



### Free floating:

A: Panel width: 500 - 1200

### Connected:

A: Panel width: 500 - 1200

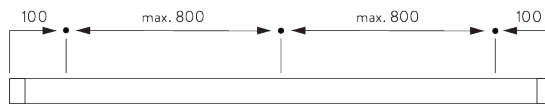
B: Overlap: min. 120

# FITTING

## A. FITTING INFORMATION

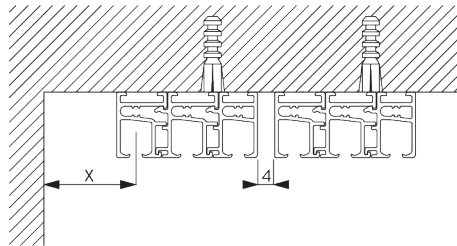
For detailed fitting information, visit the Silent Gliss website.

### Fixing points



## B. CEILING FITTING

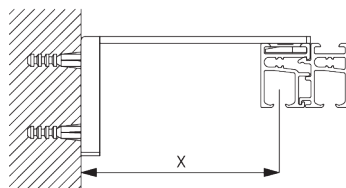
### Direct fitting



X = depending on room conditions

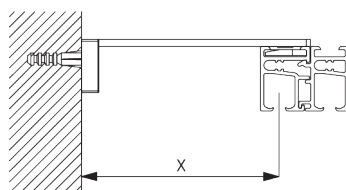
## C. WALL FITTING

### Smart Fix



#### Smart Fix with slot SG 11206 - SG 11208:

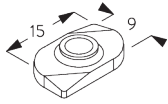
Screw SG 10395 (M4x6) needed.



#### Square Smart Fix with slot SG 11216 - SG 11218:

Screw SG 10395 (M4x6) needed.

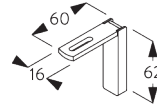
Smart Fix	X mm (SG 10132)	X mm (SG 10133)	X mm (SG 10134)	X mm (SG 10135)
SG 11206 / SG 11216	50	32	-	-
SG 11207 / SG 11217	70	52	34	-
SG 11208 / SG 11218	90	72	44	on request



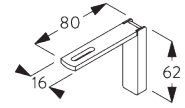
**SG 10160**  
Slot nut



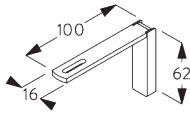
**SG 10395**  
Pan head screw M4x6



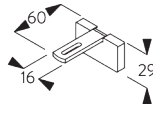
**SG 11206**  
Smart Fix with slot 60 mm



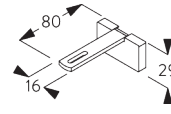
**SG 11207**  
Smart Fix with slot 80 mm



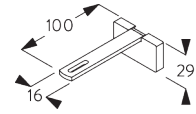
**SG 11208**  
Smart Fix with slot 100 mm



**SG 11216**  
Square Smart Fix with slot 60 mm



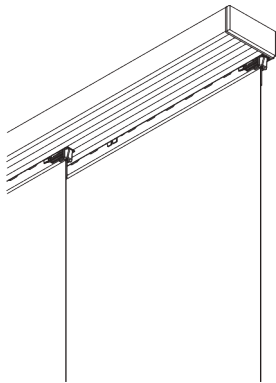
**SG 11217**  
Square Smart Fix with slot 80 mm



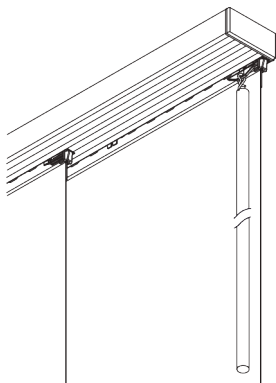
**SG 11218**  
Square Smart Fix with slot 100 mm

# SYSTEM OPTIONS

## A. OPERATION



Free floating (unconnected panels)



Connected panels (draw rod optional)

## B. PANEL STACKING (CONNECTED)



Single stack

Note: dot = fixed panel



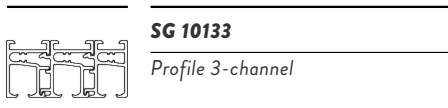
*Pair stack*

*Note: dot = fixed panel*

*Other variations are possible. Same splitting for curved profiles.*

# PARTS

## A. STANDARD PARTS



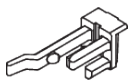
**SG 10133**  
Profile 3-channel



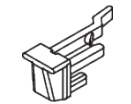
**SG 10159**  
Countersunk head screw 3.5x13



**SG 10163**  
End cover



**SG 10167**  
Clip left



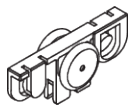
**SG 10168**  
Clip right



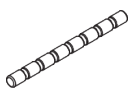
**SG 10179**  
Profile



**SG 10180**  
Carrier flexible



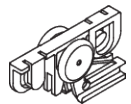
**SG 10200**  
2C roller



**SG 10233**  
Lead weight 100 gr/m



**SG 10234**  
Fabric weight glass

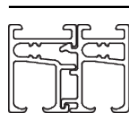


**SG 10237**  
Clip holder

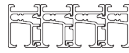


**SG 10248**  
Screw Pozi 4.5x70 mm SPAX

## B. OPTIONAL PARTS



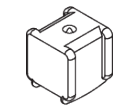
**SG 10132**  
Profile 2-channel



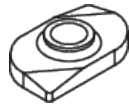
**SG 10134**  
Profile 4-channel



**SG 10135**  
Profile 5-channel



**SG 10156**  
End stop



**SG 10160**  
Slot nut



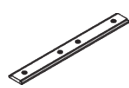
**SG 10162**  
End cover



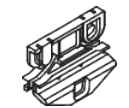
**SG 10164**  
End cover



**SG 10165**  
End cover



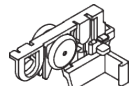
**SG 10177**  
Connection bridge



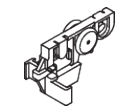
**SG 10196**  
Eyelet for draw rod



**SG 10235**  
Sticker for screw head



**SG 10239**  
Angle left



**SG 10241**  
Angle right



**SG 10243**  
Angle



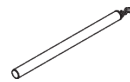
**SG 10244**  
Slider



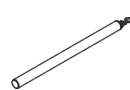
**SG 10247**  
Screw Pozi 4.5x50 mm SPAX



**SG 10395**  
Pan head screw M4x6



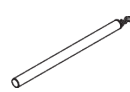
**SG 10430**  
Draw rod 50 cm



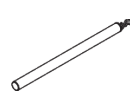
**SG 10431**  
Draw rod 75 cm



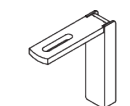
**SG 10432**  
Draw rod 100 cm



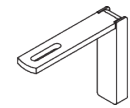
**SG 10433**  
Draw rod 125 cm



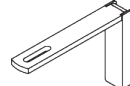
**SG 10434**  
Draw rod 150 cm



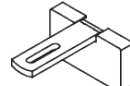
**SG 11206**  
Smart Fix with slot 60 mm



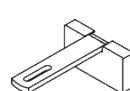
**SG 11207**  
Smart Fix with slot 80 mm



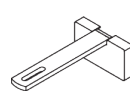
**SG 11208**  
Smart Fix with slot 100 mm



**SG 11216**  
Square Smart Fix with slot 60 mm



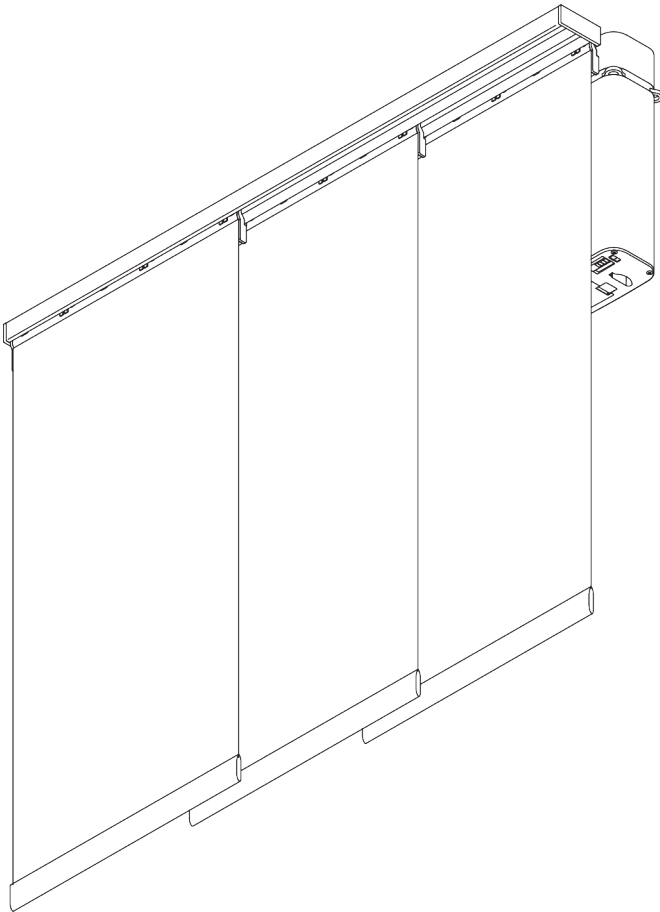
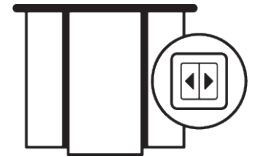
**SG 11217**  
Square Smart Fix with slot 80 mm



**SG 11218**  
Square Smart Fix with slot 100 mm

# SG 2750

---



## PRODUCT INFORMATION

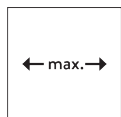
- **Operation:** motorised
- **Range:** S - L
- **Fitting:** ceiling
- **Colours:** white RAL 9016 or anodised aluminum, special colours possible
- **Fabrics:** refer to Silent Gliss fabric collection

### **Features:**

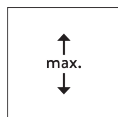
- 2-component (2C) roller technology
- Silent and smooth running
- Aluminium carriers
- Applicable with electric curtain track system SG 5100 or SG 5600

# SYSTEM SPECIFICATIONS

## A. SYSTEM DIMENSIONS



6 m



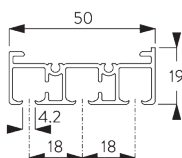
4 m



max. 2 kg per m

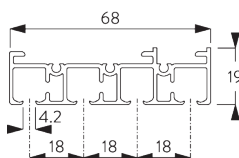
## B. PROFILE

### Profile information



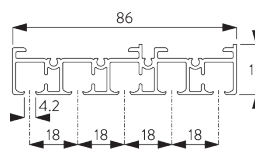
**SG 10123**

Profile 3-channel



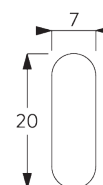
**SG 10124**

Profile 4-channel



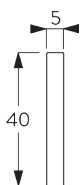
**SG 10125**

Profile 5-channel



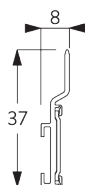
**SG 2004**

Bottom bar 20x7 mm



**SG 2005**

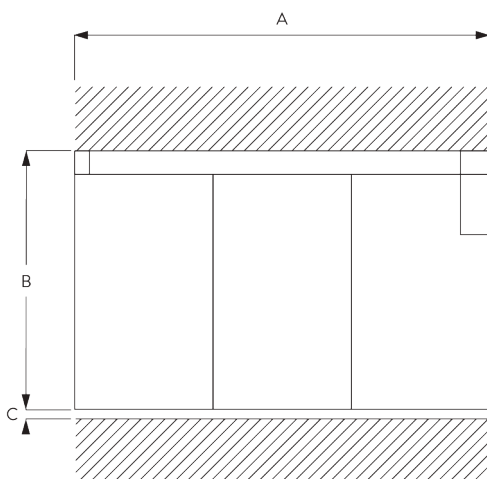
Bottom bar 40x5 mm



**SG 10230**

Carrier alu

## C. HOW TO MEASURE

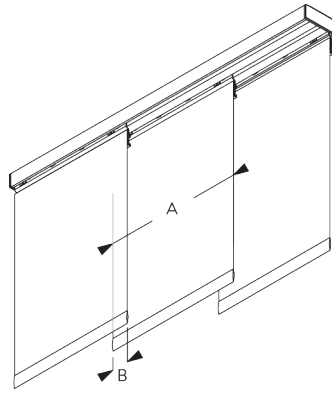


A: System width

B: System height

C: Distance between floor and fabric

## Dimensions of Panels



A: Recommended panel width: 500 - 1200

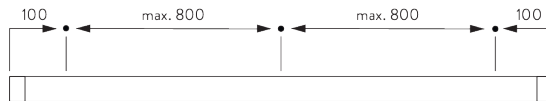
B: Overlap: min. 50

# FITTING

## A. FITTING INFORMATION

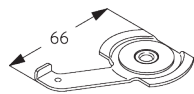
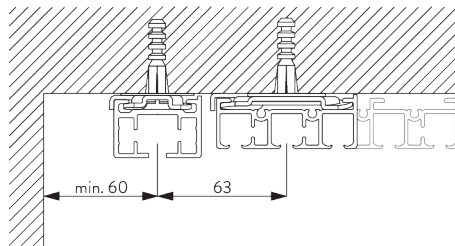
For detailed fitting information, visit the *Silent Gliss* website.

### Fixing points



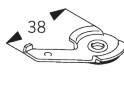
## B. CEILING FITTING

### With SG 5600



**SG 3003**

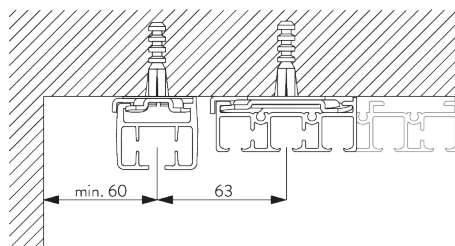
Clamp

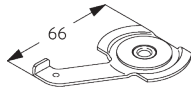


**SG 3004**

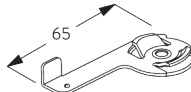
Clamp

### With SG 5100





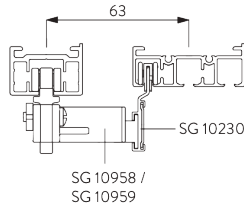
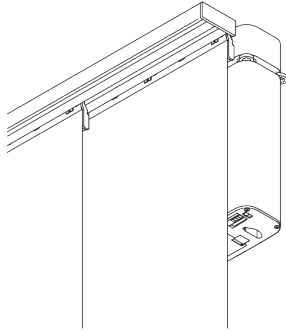
**SG 3003**  
Clamp



**SG 10926**  
Clamp

# SYSTEM OPTIONS

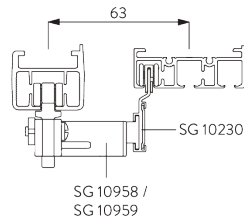
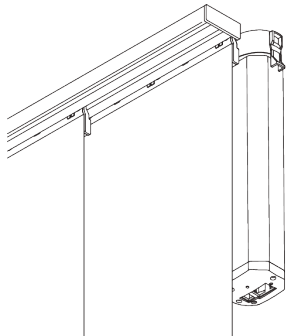
## A. MOTORISATION



### Motorised with SG 5600

- Single stack systems: carrier SG 10958
- Pair stack systems: carriers SG 10958 / SG 10959

For further details refer to the electric curtain track catalogue.



### Motorised with SG 5100

- Single stack systems: carrier SG 10958
- Pair stack systems: carriers SG 10958 / SG 10959

For further details refer to the electric curtain track catalogue.

## B. PANEL STACKING



Single stack

Note: dot = fixed panel



Pair stack


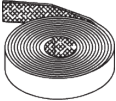


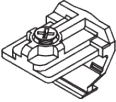

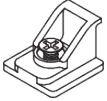
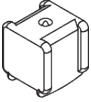

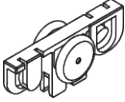



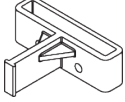
Note: dot = fixed panel

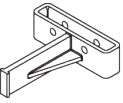
Other variations are possible.




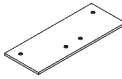


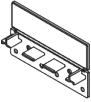
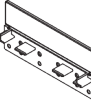
# PARTS

## A. STANDARD PARTS

	<b>SG 2004</b> Bottom bar 20x7 mm
	<b>SG 2539</b> Tape
	<b>SG 3003</b> Clamp
	<b>SG 10123</b> Profile 3-channel
	<b>SG 10140</b> Angle
	<b>SG 10143</b> Cover
	<b>SG 10146</b> Angle
	<b>SG 10156</b> End stop
	<b>SG 10159</b> Countersunk head screw 3.5x13
	<b>SG 10200</b> 2C roller
	<b>SG 10230</b> Carrier alu
	<b>SG 10252</b> End cover left
	<b>SG 10253</b> End cover right
	<b>SG 10958</b> Panel carrier for electric track

	<b>SG 10959</b> Panel carrier for electric track
---	---

## B. OPTIONAL PARTS

	<b>SG 2005</b> Bottom bar 40x5 mm
	<b>SG 6024</b> Connection bridge
	<b>SG 10124</b> Profile 4-channel
	<b>SG 10125</b> Profile 5-channel
	<b>SG 10144</b> End cover
	<b>SG 10145</b> End cover





## ***The Architects of Silence***

***Silent Gliss is the leading global supplier of premium interior window treatments. Since 1952 we have been tirelessly committed to the development of the worlds` smoothest, quietest systems using state of the art technology.***

*Driven by customer needs, Silent Gliss offers functional and durable products. Expert technical advice coupled with installation and support services complete the offer. Silent Gliss stands for innovative, sustainable, tailor made solutions, exceptional design and first-class quality.*

### **Silent Gliss Iberia, S.L.**

C/Muntaner, 231 2º 1aA

08021 Barcelona

**T**+34 931 187 843

info@silentgliss.es

Av. Canteras, 64, Módulo 2

Nave A

28343 Valdemoro (Madrid)

**T**+34 912 963 831

info@silentgliss.es

**silentgliss.es**