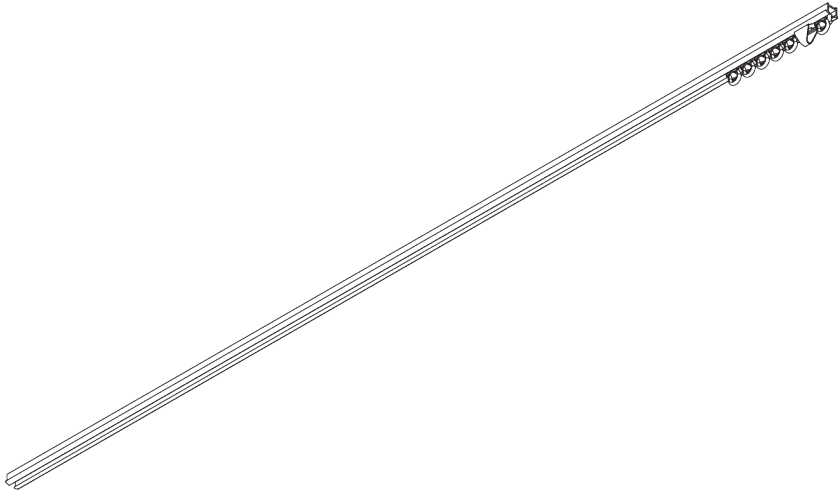


SG 1011



PRODUCT INFORMATION

- **Operation:** hand
- **Range:** S
- **Fitting:** recess (center SG 7550)
- **Colours:** white RAL 9016 or anodised aluminum, special colours possible
- **Fabrics:** refer to Silent Gliss fabric collection

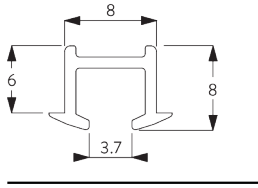
Features:

- Pre-drilled profile
- Bendable

SYSTEM SPECIFICATIONS

A. PROFILE

Profile and bending information

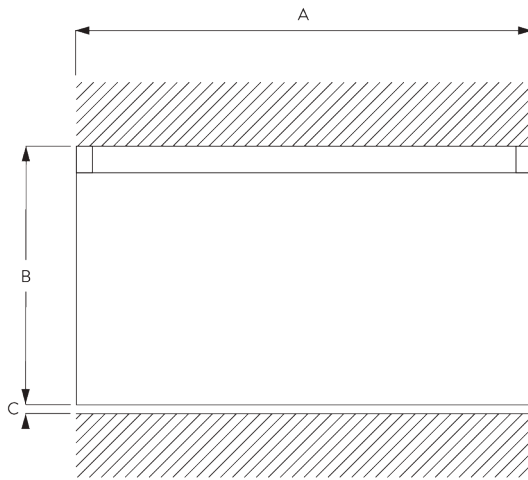


SG 1011p

Profile

Radius:
✓ 6 cm, 10 cm

B. HOW TO MEASURE



A: System width

B: System height

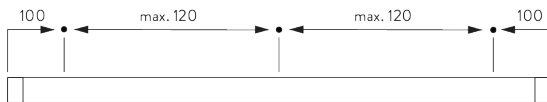
C: Distance between floor and fabric

FITTING

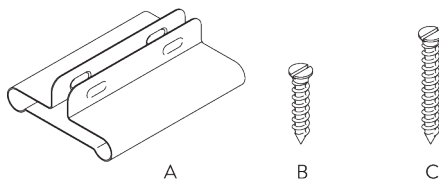
A. FITTING INFORMATION

Fixing points

For detailed fitting information, visit the [Silent Gliss website](https://www.silentgliss.com).



Profile Protector



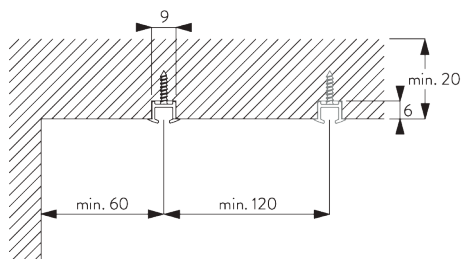
A: Profile Protector SG 7002

B: Special screw SG 3019 / 12 mm

C: Special screw SG 3025 / 18 mm

B. RECESS FITTING

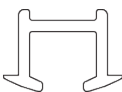
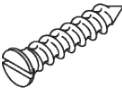




Direct into wood




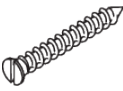
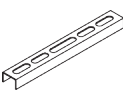




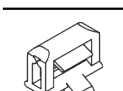
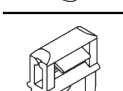
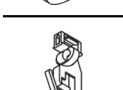
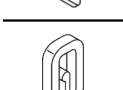
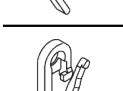
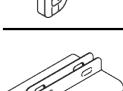

Recess channel: 6 x 9 mm

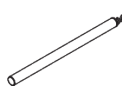
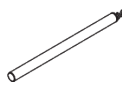
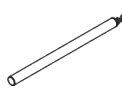
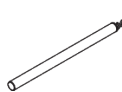
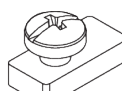
PARTS

A. STANDARD PARTS

	SG 1011p Profile
	SG 3019 Special screw 12 mm
	SG 3070 End stop
	SG 3085 Spring stop
	SG 3533 Glider
	SG 3599 Hook

B. OPTIONAL PARTS

	SG 3012 Hook
	SG 3025 Special screw 18 mm
	SG 3063 Connection bridge
	SG 3511 Glider
	SG 3534 Glider 3533 on strip
	SG 3535 Glider
	SG 3537 Glider
	SG 3547 Glider
	SG 3548 Glider
	SG 3549 Click glider with hook
	SG 3582 Hook
	SG 3598 Eyelet
	SG 7002 Profile protector
	SG 10430 Draw rod 50 cm

	SG 10431 Draw rod 75 cm
	SG 10432 Draw rod 100 cm
	SG 10433 Draw rod 125 cm
	SG 10434 Draw rod 150 cm
	SG 11335 End stop