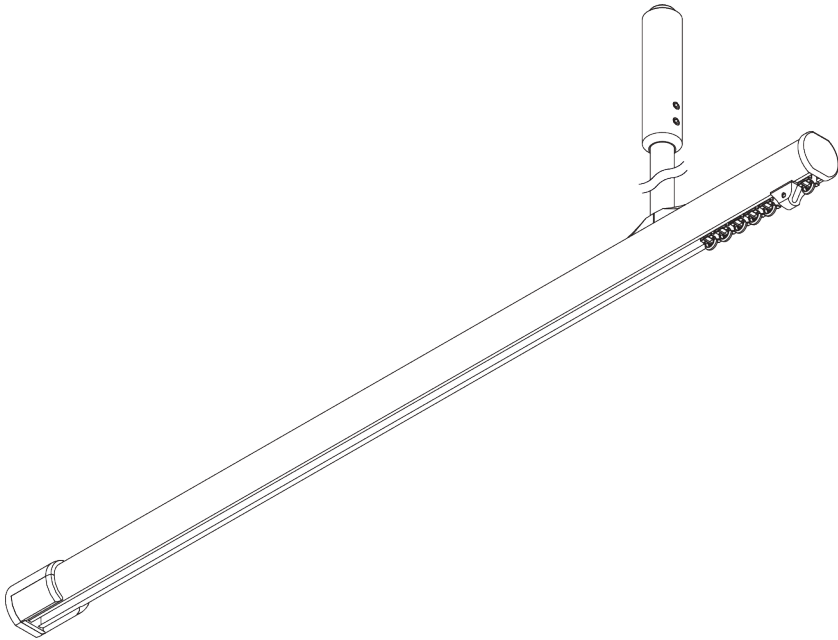
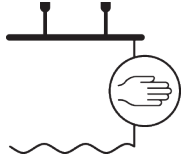


SG 6103



PRODUCT INFORMATION

- **Operation:** hand
- **Range:** S - L
- **Fitting:** suspended, ceiling, wall
- **Colours:** white RAL 9016 or anodised aluminum, special colours possible
- **Fabrics:** refer to Silent Gliss fabric collection

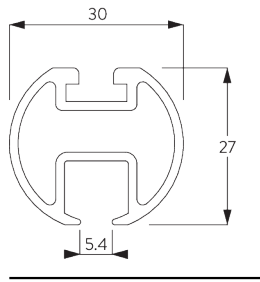
Features:

- Universal room divider
- 2-component (2C) glider technology
- Wave (2C)
- Suspended
- Versatile layouts
- Bendable

SYSTEM SPECIFICATIONS

A. PROFILE

Profile and bending information

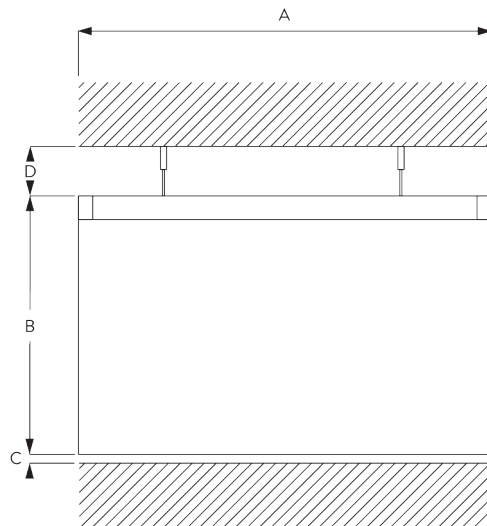


SG 6103p

Profile



B. HOW TO MEASURE



A: System width

B: System height

C: Distance between floor and fabric

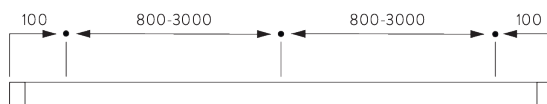
D: Distance between ceiling and system

FITTING

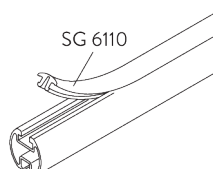
A. FITTING INFORMATION

Fixing points

For detailed fitting information, visit the [Silent Gliss website](#).

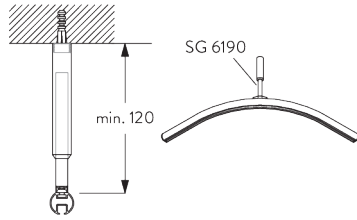


Dust Cover

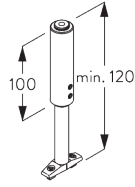


B. CEILING FITTING

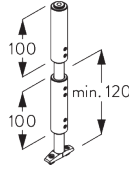
Hanger SG 6190 / SG 6196



Or variant with SG 6196 double hanger.

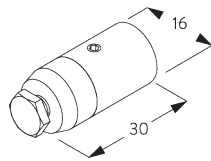
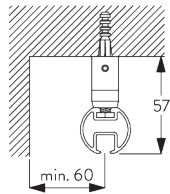


SG 6190
Hanger



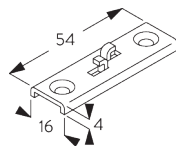
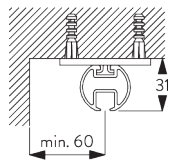
SG 6196
Double hanger

Mini hanger SG 6175



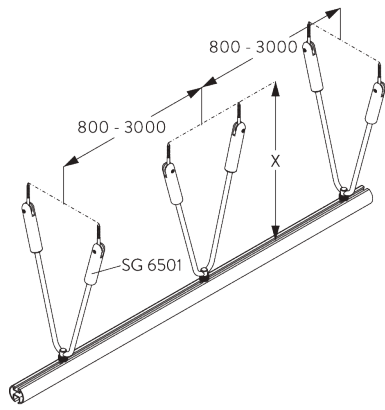
SG 6175
Mini hanger

Bracket SG 6124

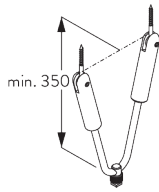


SG 6124
Bracket

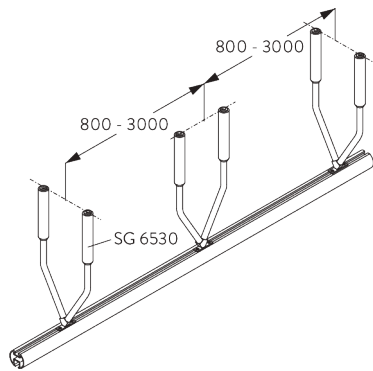
V-hanger



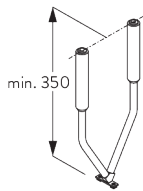
SG 6501:
V-hangers (25°-35°) provide additional lateral stability.



SG 6501
V-Hanger



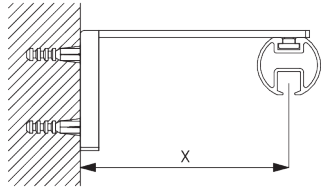
SG 6530:
V-hangers (25°-35°) provide additional lateral stability.



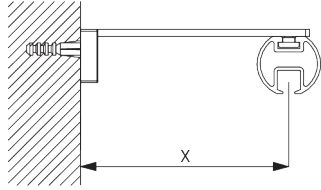
SG 6530
V-Hanger

C. WALL FITTING

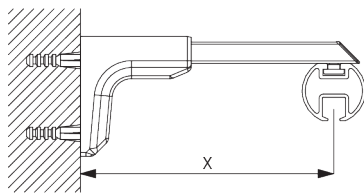
Smart Fix



Smart Fix with slot SG 11206 - SG 11208:
Screw SG 10492 (M4x8) needed.

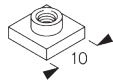


Square Smart Fix with slot SG 11216 - SG 11218:
Screw SG 10492 (M4x8) needed.



Universal Smart Fix SG 11154 - SG 11156:
Screw SG 11131 (M4x6) needed.

Smart Fix	X mm
SG 11206 / SG 11216	33-51
SG 11207 / SG 11217	53-71
SG 11208 / SG 11218	73-91
SG 11154	102-130
SG 11155	132-160
SG 11156	182-210



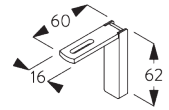
SG 6117
Slot nut



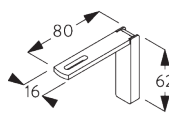
SG 10492
Pan head screw M4x8



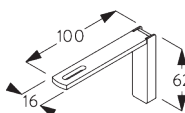
SG 11131
Pan head screw with flange
M4x6



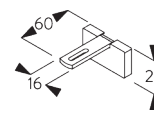
SG 11206
Smart Fix with slot 60 mm



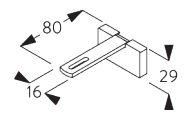
SG 11207
Smart Fix with slot 80 mm



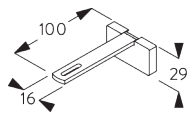
SG 11208
Smart Fix with slot 100 mm



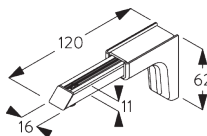
SG 11216
Square Smart Fix with slot 60
mm



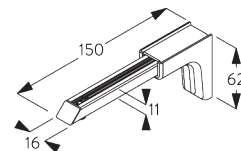
SG 11217
Square Smart Fix with slot 80
mm



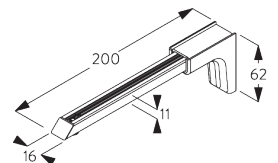
SG 11218
Square Smart Fix with slot
100 mm



SG 11154
Universal Smart Fix 120 mm



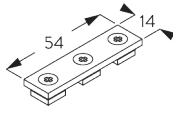
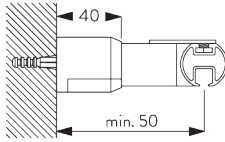
SG 11155
Universal Smart Fix 150 mm



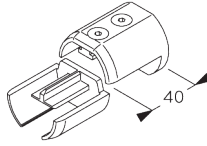
SG 11156
Universal Smart Fix 200 mm

D. WALL SUPPORT

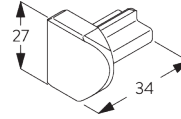
Bracket SG 6620



SG 6123
Connection plate



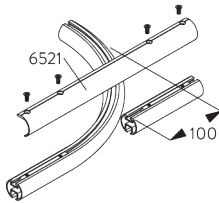
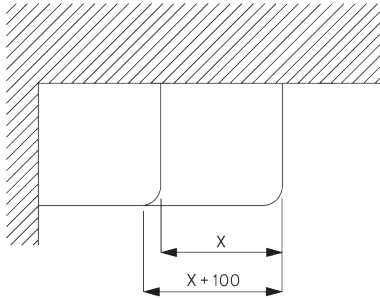
SG 6620
Wall bracket



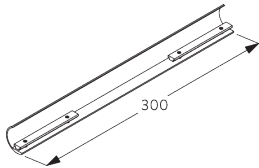
SG 6631
Connection piece

E. PROFILE JUNCTIONS

Connection bridge SG 6521

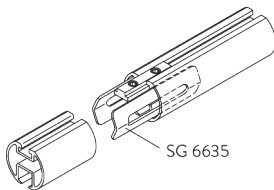


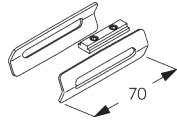
Note: be sure to attach a sketch!



SG 6521
Connection bridge

Connection set SG 6635

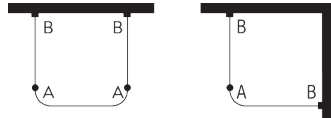




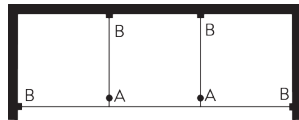
SG 6635
 Connection bridge set

SYSTEM OPTIONS

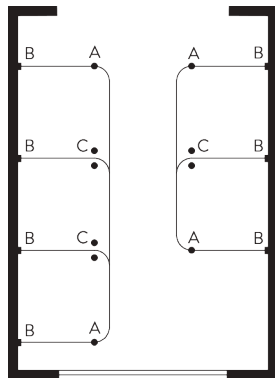
A. LAYOUT OPTIONS



A: Hanger rod
 B: Wall support

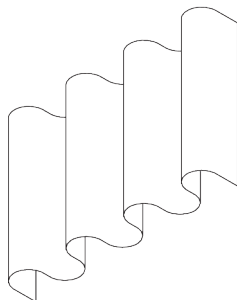


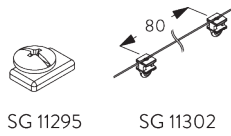
A: Hanger rod
 B: Wall support



A: Hanger rod
 B: Wall support
 C: V-hanger

B. WAVE



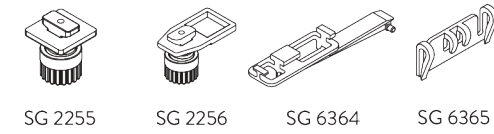


SG 11295

SG 11302

Standard components:

- SG 11295 End stop
- SG 11302 Wave 2C glider cord 80 mm



SG 2255

SG 2256

SG 6364

SG 6365

Optional components:

- SG 2255 Brake
- SG 2256 Brake
- SG 6364 Wave extension
- SG 6365 Wave hanger
- SG 6366 Wave carrier for draw rod
- SG 10430-34 Draw rod
- SG 11303 Wave 2C glider cord 60 mm



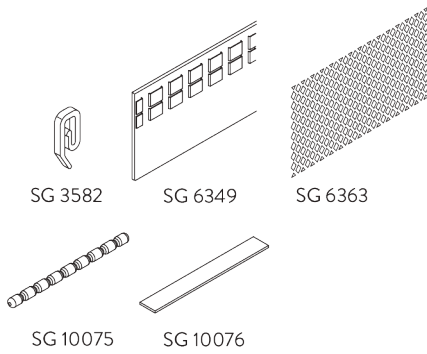
SG 6366

SG 10430-34

SG 11303

Curtain components:

- SG 3582 Hook
- SG 6349 Wave curtain tape
- SG 6363 Wave top hemming tape
- SG 10075 Lead weight 50 gr/m
- SG 10076 Fabric weight



SG 3582

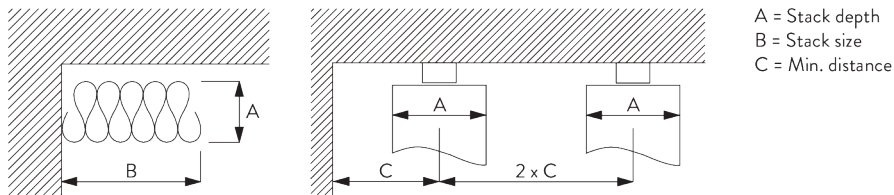
SG 6349

SG 6363

SG 10075

SG 10076

Wave stack depth - 2C glider cord (standard components)




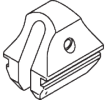

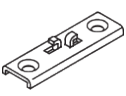
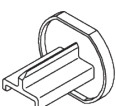
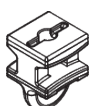
2C Glider cord SG 11302	Pockets between hooks	Approx. curtain fullness	Stack depth A	Stack size B*	Min distance C
80	6	~2.1	140	180 per metre of track	90
80	7	~2.3	160	180 per metre of track	100

2C Glider cord SG 11303	Pockets between hooks	Approx. curtain fullness	Stack depth A	Stack size B*	Min distance C
60	4	~2.1	100	230 per metre of track	70
60	5	~2.3	120	230 per metre of track	80

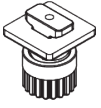
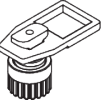
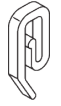



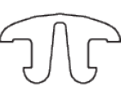
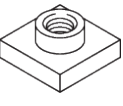
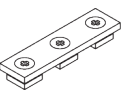
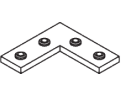
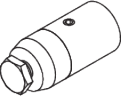



*Stack size B when using optional extension arm SG 6364 increases by 150 mm per curtain stack!



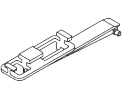
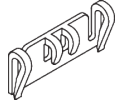
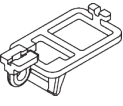
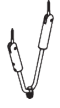
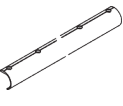
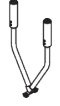
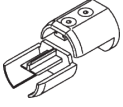
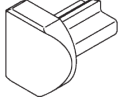
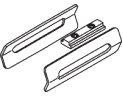
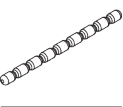
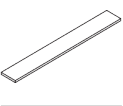

PARTS

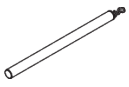
A. STANDARD PARTS

	SG 6065 End stop
	SG 6086 Spring stop
	SG 6103p Profile
	SG 6124 Bracket
	SG 6630 End cover
	SG 11300 2C glider

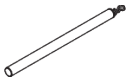
B. OPTIONAL PARTS

	SG 2255 Brake
	SG 2256 Brake
	SG 3582 Hook
	SG 6053 Spring stop
	SG 6094 Roller
	SG 6098 Roller
	SG 6110 Dust cover
	SG 6117 Slot nut
	SG 6123 Connection plate
	SG 6125 Corner connection piece
	SG 6175 Mini hanger
	SG 6190 Hanger
	SG 6196 Double hanger
	SG 6283 Roller

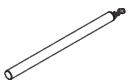
	SG 6349 Wave curtain tape
	SG 6363 Wave top hemming tape
	SG 6364 Wave extension
	SG 6365 Wave hanger
	SG 6366 Wave carrier for draw rod
	SG 6501 V-Hanger
	SG 6521 Connection bridge
	SG 6530 V-Hanger
	SG 6620 Wall bracket
	SG 6631 Connection piece
	SG 6635 Connection bridge set
	SG 10075 Lead weight 50 g/m
	SG 10076 Fabric weight
	SG 10430 Draw rod 50 cm



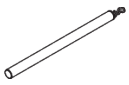
SG 10431
Draw rod 75 cm



SG 10432
Draw rod 100 cm



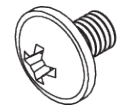
SG 10433
Draw rod 125 cm



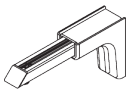
SG 10434
Draw rod 150 cm



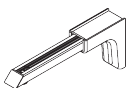
SG 10492
Pan head screw M4x8



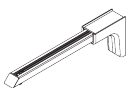
SG 11131
Pan head screw with flange M4x6



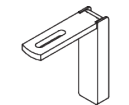
SG 11154
Universal Smart Fix 120 mm



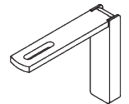
SG 11155
Universal Smart Fix 150 mm



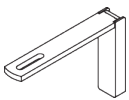
SG 11156
Universal Smart Fix 200 mm



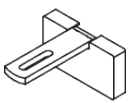
SG 11206
Smart Fix with slot 60 mm



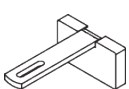
SG 11207
Smart Fix with slot 80 mm



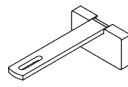
SG 11208
Smart Fix with slot 100 mm



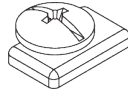
SG 11216
Square Smart Fix with slot 60 mm



SG 11217
Square Smart Fix with slot 80 mm



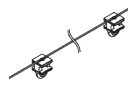
SG 11218
Square Smart Fix with slot 100 mm



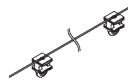
SG 11295
End stop



SG 11301
2C glider on strip



SG 11302
Wave 2C glider cord 80 mm



SG 11303
Wave 2C glider cord 60 mm

