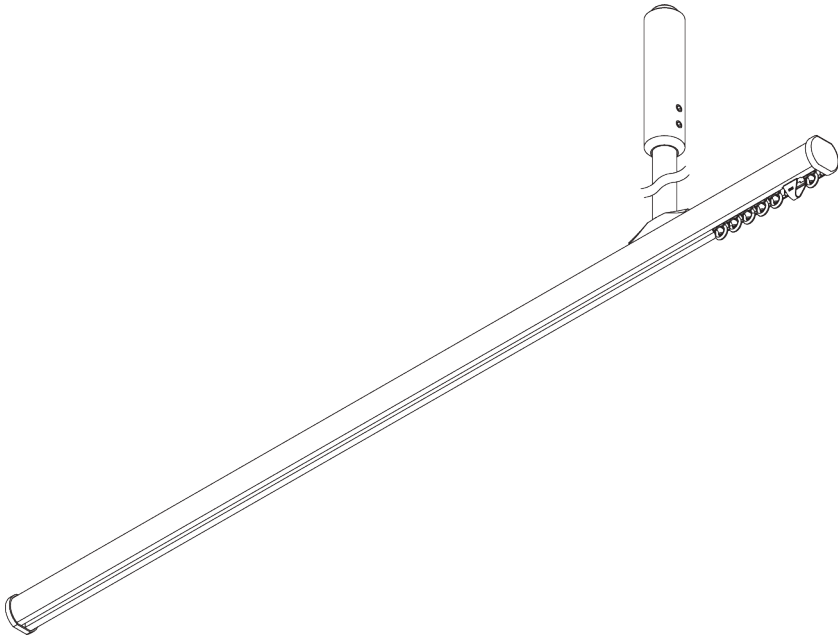


SG 1003



PRODUCT INFORMATION

- **Operation:** hand
- **Range:** S
- **Fitting:** suspended, wall, ceiling
- **Colours:** white RAL 9016 or anodised aluminum, special colours possible
- **Fabrics:** refer to Silent Gliss fabric collection

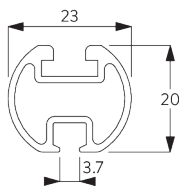
Features:

- Bendable
- Suspended

SYSTEM SPECIFICATIONS

A. PROFILE

Profile and bending information

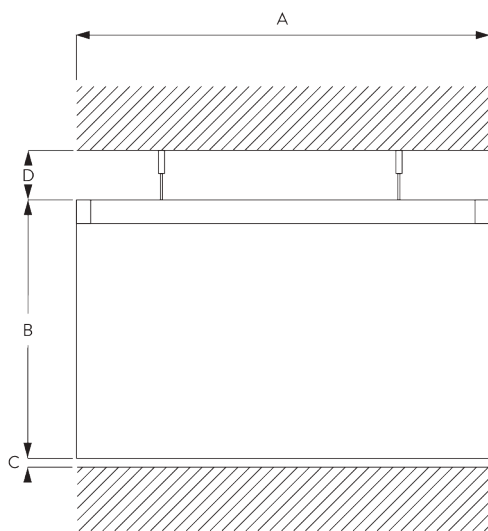


SG 1003p

Profile

Radius:
✓ 15 cm, 20 cm, >25 cm

B. HOW TO MEASURE



A: System width

B: System height

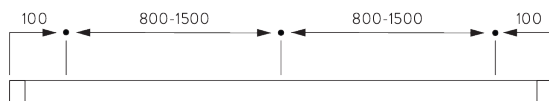
C: Distance between floor and fabric

D: Distance between ceiling and system

FITTING

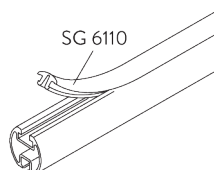
A. FITTING INFORMATION

Fixing points



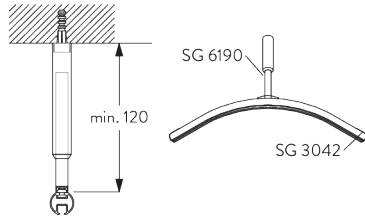
For detailed fitting information, visit the [Silent Gliss website](#).

Dust cover

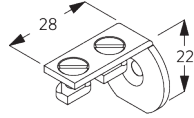


B. CEILING FITTING

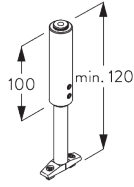
Hanger SG 6190 / SG 6196



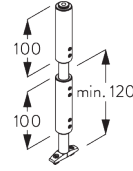
Or variant with SG 6196 double hanger.



SG 3042
Wall bracket

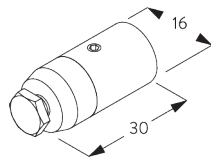
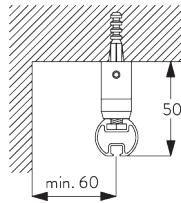


SG 6190
Hanger



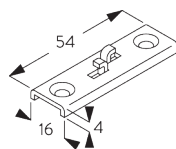
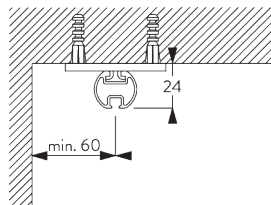
SG 6196
Double hanger

Mini hanger SG 6175



SG 6175
Mini hanger

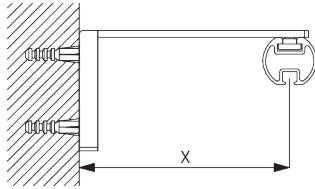
Bracket SG 6124



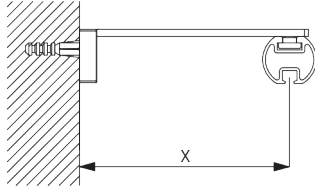
SG 6124
Bracket

C. WALL FITTING

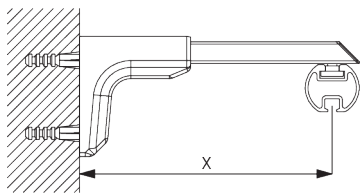
Smart Fix



Smart Fix with slot SG 11206 - SG 11208:
Screw SG 10492 (M4x8) needed.

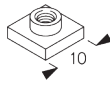


Square Smart Fix with slot SG 11216 - SG 11218:
Screw SG 10492 (M4x8) needed.



Universal Smart Fix SG 11154 - SG 11156:
Screw SG 11131 (M4x6) needed.

Smart Fix	X mm
SG 11206 / SG 11216	33-51
SG 11207 / SG 11217	53-71
SG 11208 / SG 11218	73-91
SG 11154	102-130
SG 11155	132-160
SG 11156	182-210



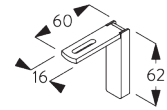
SG 6117
Slot nut



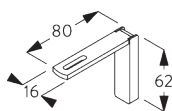
SG 10492
Pan head screw M4x8



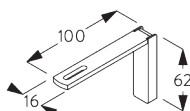
SG 11131
Pan head screw with flange
M4x6



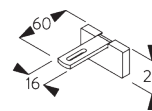
SG 11206
Smart Fix with slot 60 mm



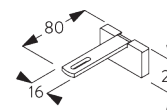
SG 11207
Smart Fix with slot 80 mm



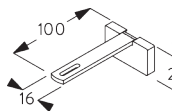
SG 11208
Smart Fix with slot 100 mm



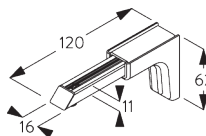
SG 11216
Square Smart Fix with slot 60
mm



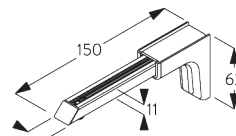
SG 11217
Square Smart Fix with slot 80
mm



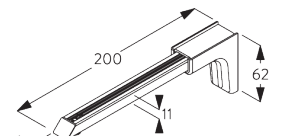
SG 11218
Square Smart Fix with slot
100 mm



SG 11154
Universal Smart Fix 120 mm




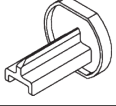

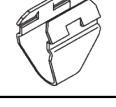


SG 11155
Universal Smart Fix 150 mm



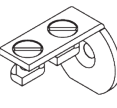

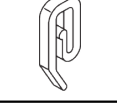
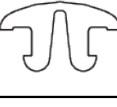
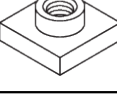
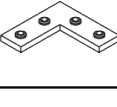
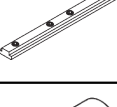
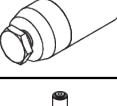
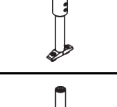
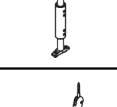
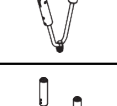
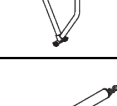
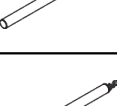

SG 11156
Universal Smart Fix 200 mm

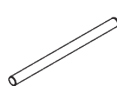
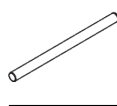
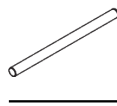
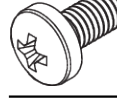

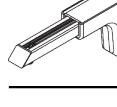
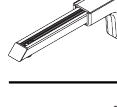
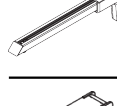
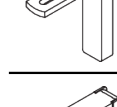
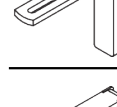
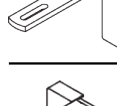
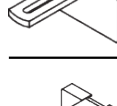
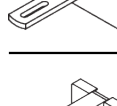
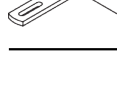
PARTS

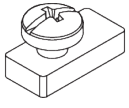
A. STANDARD PARTS

	SG 1003p Profile
	SG 3014 End cover
	SG 3070 End stop
	SG 3085 Spring stop
	SG 3533 Glider
	SG 6124 Bracket

B. OPTIONAL PARTS

	SG 3042 Wall bracket
	SG 3534 Glider 3533 on strip
	SG 3582 Hook
	SG 6110 Dust cover
	SG 6117 Slot nut
	SG 6125 Corner connection piece
	SG 6173 Connection bridge
	SG 6175 Mini hanger
	SG 6190 Hanger
	SG 6196 Double hanger
	SG 6501 V-Hanger
	SG 6530 V-Hanger
	SG 10430 Draw rod 50 cm
	SG 10431 Draw rod 75 cm

	SG 10432 Draw rod 100 cm
	SG 10433 Draw rod 125 cm
	SG 10434 Draw rod 150 cm
	SG 10492 Pan head screw M4x8
	SG 11131 Pan head screw with flange M4x6
	SG 11154 Universal Smart Fix 120 mm
	SG 11155 Universal Smart Fix 150 mm
	SG 11156 Universal Smart Fix 200 mm
	SG 11206 Smart Fix with slot 60 mm
	SG 11207 Smart Fix with slot 80 mm
	SG 11208 Smart Fix with slot 100 mm
	SG 11216 Square Smart Fix with slot 60 mm
	SG 11217 Square Smart Fix with slot 80 mm
	SG 11218 Square Smart Fix with slot 100 mm



SG 11335

End stop
