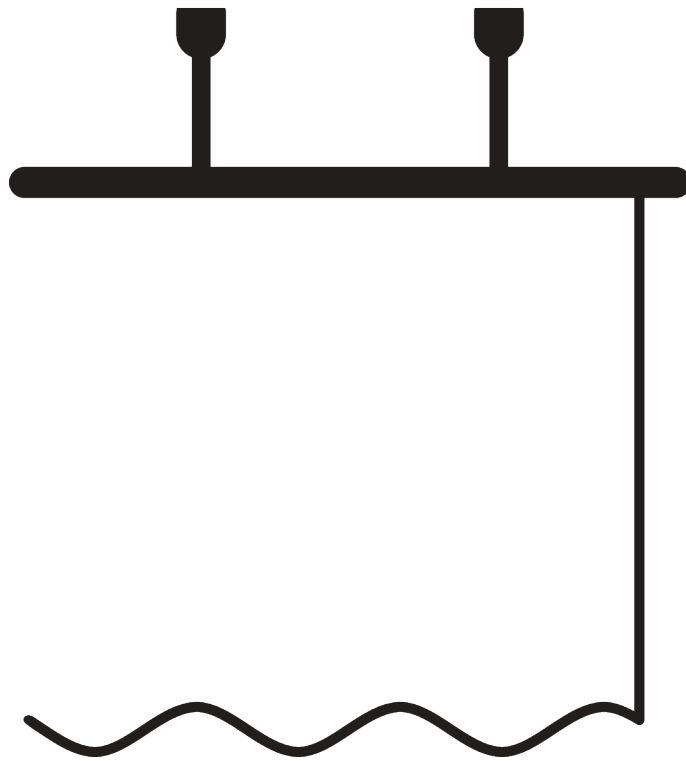


# ROOM DIVIDER/ CUBICLE TRACK SYSTEMS



# GENERAL NOTES

## **Dimensions**

- Measurements are in mm except where indicated.
- Max. kg relates to fabric incl. accessories.
- Stack size depends on curtain make-up and fabric thickness.
- Distance between gliders max. 80 mm / distance between rollers max. 100 mm.
- Recommended distance floor / fabric: 20 mm.
- In order to determine system height (B), the smallest room height must be taken into account.











## **Fitting**

- Installation by qualified fitter only.
- Number of brackets and fitting positions / fixing points vary depending on fitting surface, system weight, fabric make-up, screw / fixing type and obstacles.
- Qualified fitter must use appropriate screws / fixings for each situation.
- Profile lip if applicable to be installed to room side.

## **Child Safety**

- All relevant Silent Gliss systems correspond to child safety EN 13120.
- All parties involved must comply with EN 13120.

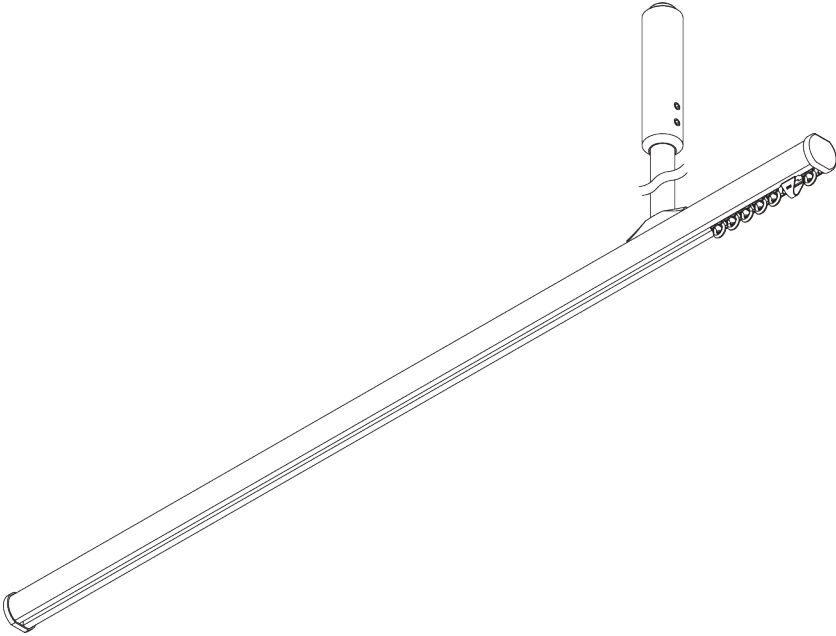
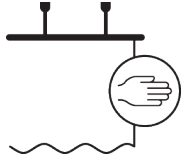
# APPLICATION CHART

<u>PAGE</u>	<u>SYSTEM</u>	<u>OPERATION</u>	<u>DIMENSION</u>	<u>DESIGN</u>	<u>WAVE</u>
5	<b>SG 1003</b>		S		
11	<b>SG 1085</b>		S - M		
15	<b>SG 6100</b>		S - L		
27	<b>SG 6103</b>		S - L		



# SG 1003

---



## PRODUCT INFORMATION

- **Operation:** hand
- **Range:** S
- **Fitting:** suspended, wall, ceiling
- **Colours:** white RAL 9016 or anodised aluminum, special colours possible
- **Fabrics:** refer to Silent Gliss fabric collection

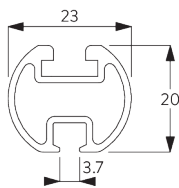
### **Features:**

- Bendable
- Suspended

# SYSTEM SPECIFICATIONS

## A. PROFILE

Profile and bending information

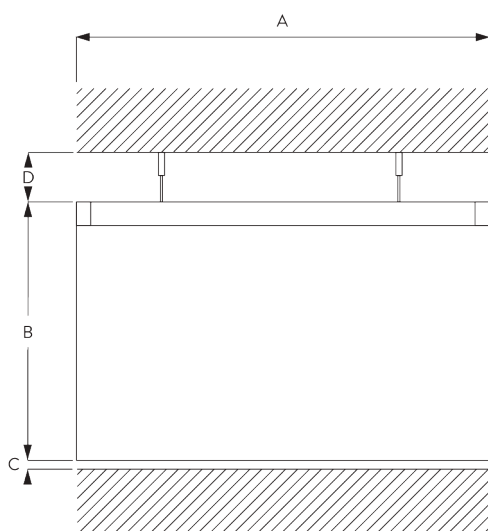


SG 1003p

Profile

Radius:  
✓ 15 cm, 20 cm, >25 cm

## B. HOW TO MEASURE



A: System width

B: System height

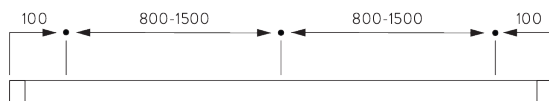
C: Distance between floor and fabric

D: Distance between ceiling and system

# FITTING

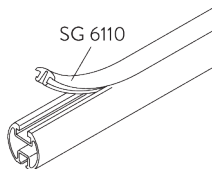
## A. FITTING INFORMATION

Fixing points



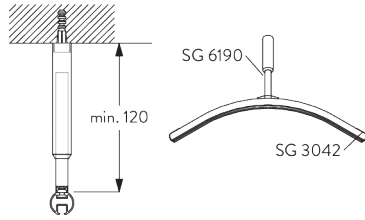
For detailed fitting information, visit the [Silent Gliss website](#).

Dust cover

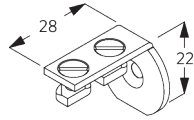


**B. CEILING FITTING**

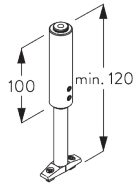
**Hanger SG 6190 / SG 6196**



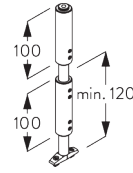
Or variant with SG 6196 double hanger.



**SG 3042**  
Wall bracket

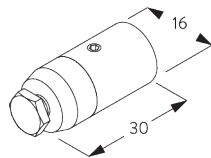
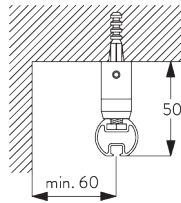


**SG 6190**  
Hanger



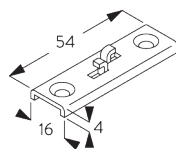
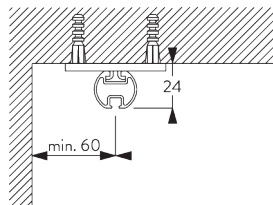
**SG 6196**  
Double hanger

**Mini hanger SG 6175**



**SG 6175**  
Mini hanger

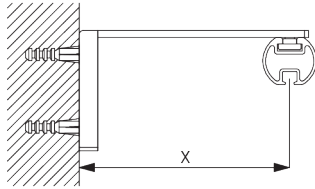
**Bracket SG 6124**



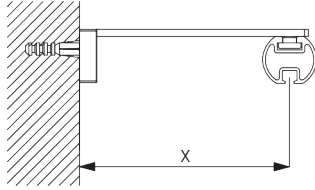
**SG 6124**  
Bracket

## C. WALL FITTING

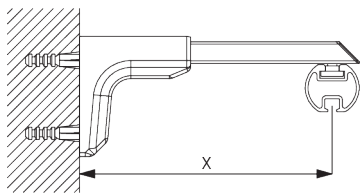
### Smart Fix



**Smart Fix with slot SG 11206 - SG 11208:**  
Screw SG 10492 (M4x8) needed.

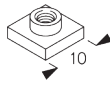


**Square Smart Fix with slot SG 11216 - SG 11218:**  
Screw SG 10492 (M4x8) needed.



**Universal Smart Fix SG 11154 - SG 11156:**  
Screw SG 11131 (M4x6) needed.

Smart Fix	X mm
SG 11206 / SG 11216	33-51
SG 11207 / SG 11217	53-71
SG 11208 / SG 11218	73-91
SG 11154	102-130
SG 11155	132-160
SG 11156	182-210



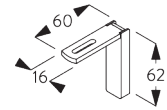
**SG 6117**  
Slot nut



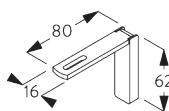
**SG 10492**  
Pan head screw M4x8



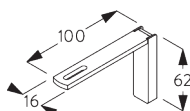
**SG 11131**  
Pan head screw with flange  
M4x6



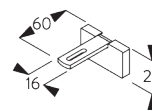
**SG 11206**  
Smart Fix with slot 60 mm



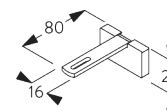
**SG 11207**  
Smart Fix with slot 80 mm



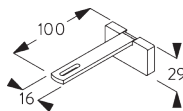
**SG 11208**  
Smart Fix with slot 100 mm



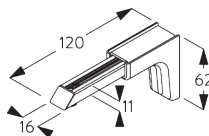
**SG 11216**  
Square Smart Fix with slot 60  
mm



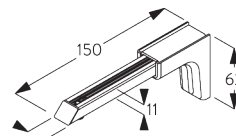
**SG 11217**  
Square Smart Fix with slot 80  
mm



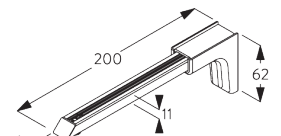
**SG 11218**  
Square Smart Fix with slot  
100 mm



**SG 11154**  
Universal Smart Fix 120 mm



**SG 11155**  
Universal Smart Fix 150 mm


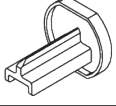

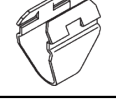




**SG 11156**  
Universal Smart Fix 200 mm

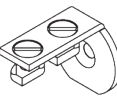

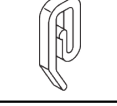
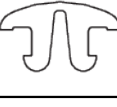
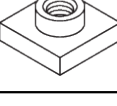
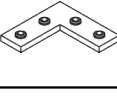
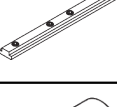
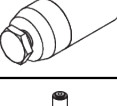
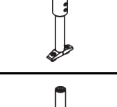
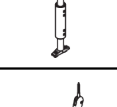
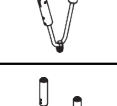
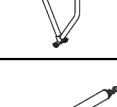
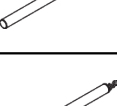



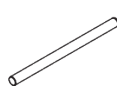
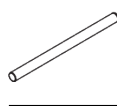
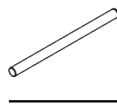
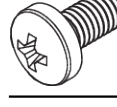

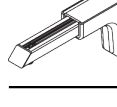
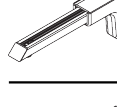
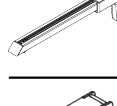
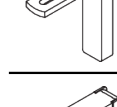
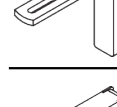
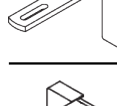
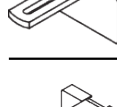
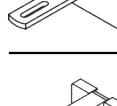
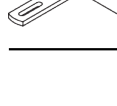
# PARTS

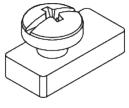
## A. STANDARD PARTS

	<b>SG 1003p</b> Profile
	<b>SG 3014</b> End cover
	<b>SG 3070</b> End stop
	<b>SG 3085</b> Spring stop
	<b>SG 3533</b> Glider
	<b>SG 6124</b> Bracket

## B. OPTIONAL PARTS

	<b>SG 3042</b> Wall bracket
	<b>SG 3534</b> Glider 3533 on strip
	<b>SG 3582</b> Hook
	<b>SG 6110</b> Dust cover
	<b>SG 6117</b> Slot nut
	<b>SG 6125</b> Corner connection piece
	<b>SG 6173</b> Connection bridge
	<b>SG 6175</b> Mini hanger
	<b>SG 6190</b> Hanger
	<b>SG 6196</b> Double hanger
	<b>SG 6501</b> V-Hanger
	<b>SG 6530</b> V-Hanger
	<b>SG 10430</b> Draw rod 50 cm
	<b>SG 10431</b> Draw rod 75 cm

	<b>SG 10432</b> Draw rod 100 cm
	<b>SG 10433</b> Draw rod 125 cm
	<b>SG 10434</b> Draw rod 150 cm
	<b>SG 10492</b> Pan head screw M4x8
	<b>SG 11131</b> Pan head screw with flange M4x6
	<b>SG 11154</b> Universal Smart Fix 120 mm
	<b>SG 11155</b> Universal Smart Fix 150 mm
	<b>SG 11156</b> Universal Smart Fix 200 mm
	<b>SG 11206</b> Smart Fix with slot 60 mm
	<b>SG 11207</b> Smart Fix with slot 80 mm
	<b>SG 11208</b> Smart Fix with slot 100 mm
	<b>SG 11216</b> Square Smart Fix with slot 60 mm
	<b>SG 11217</b> Square Smart Fix with slot 80 mm
	<b>SG 11218</b> Square Smart Fix with slot 100 mm



---

**SG 11335**

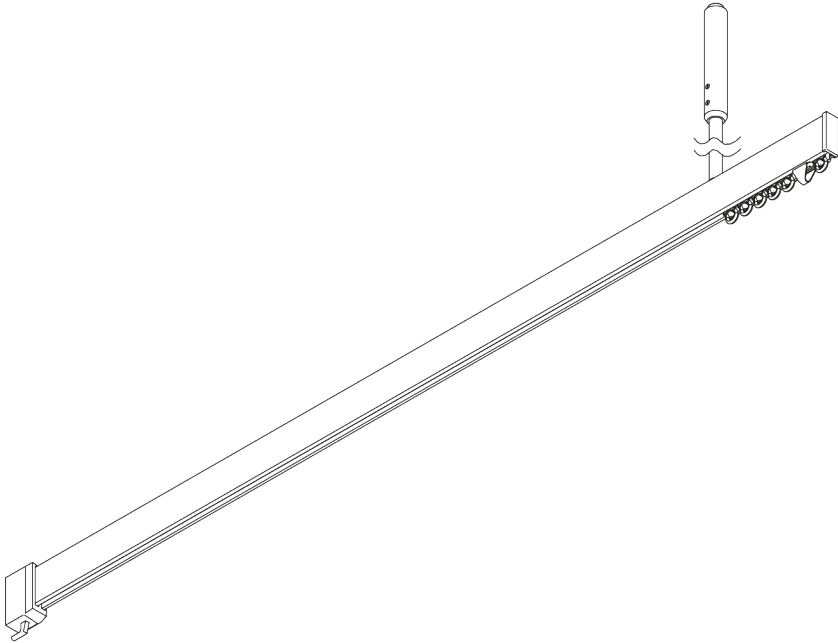
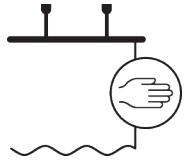
---

*End stop*

---

# SG 1085

---



## PRODUCT INFORMATION

- **Operation:** hand
- **Range:** S - M
- **Fitting:** suspended, wall
- **Colours:** white RAL 9016 or anodised aluminum, special colours possible
- **Fabrics:** refer to Silent Gliss fabric collection

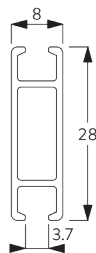
### **Features:**

- Bendable
- Suspended

# SYSTEM SPECIFICATIONS

## A. PROFILE

Profile and bending information

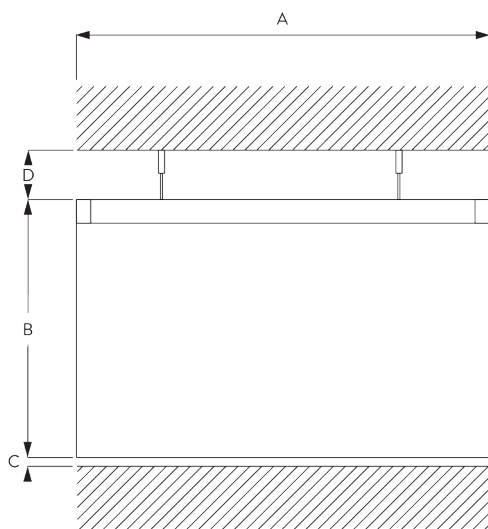


**SG 1085p**

Profile

Radius:  
20 cm, >28 cm

## B. HOW TO MEASURE



A: System width

B: System height

C: Distance between floor and fabric

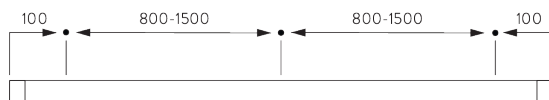
D: Distance between ceiling and system

# FITTING

## A. FITTING INFORMATION

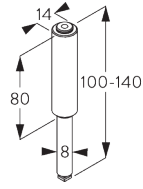
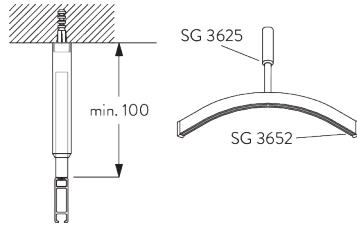
Fixing points

For detailed fitting information, visit the [Silent Gliss website](#).

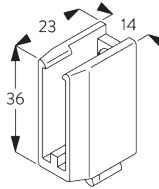


**B. CEILING FITTING**

**Hanger SG 3625**



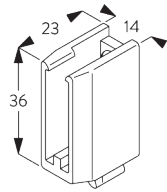
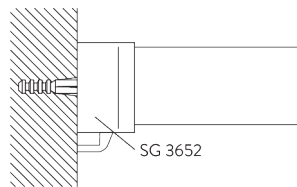
**SG 3625**  
*Hanger*



**SG 3652**  
*Wall support*

**C. WALL FITTING**

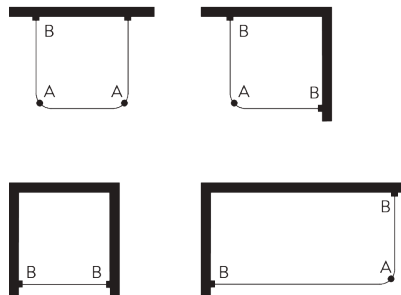
**Wall support SG 3652**



**SG 3652**  
*Wall support*

**SYSTEM OPTIONS**





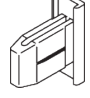
**A. LAYOUT OPTIONS**






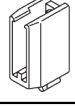
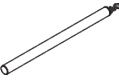




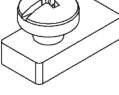
A: Hanger rod  
B: Wall support

# PARTS

## A. STANDARD PARTS

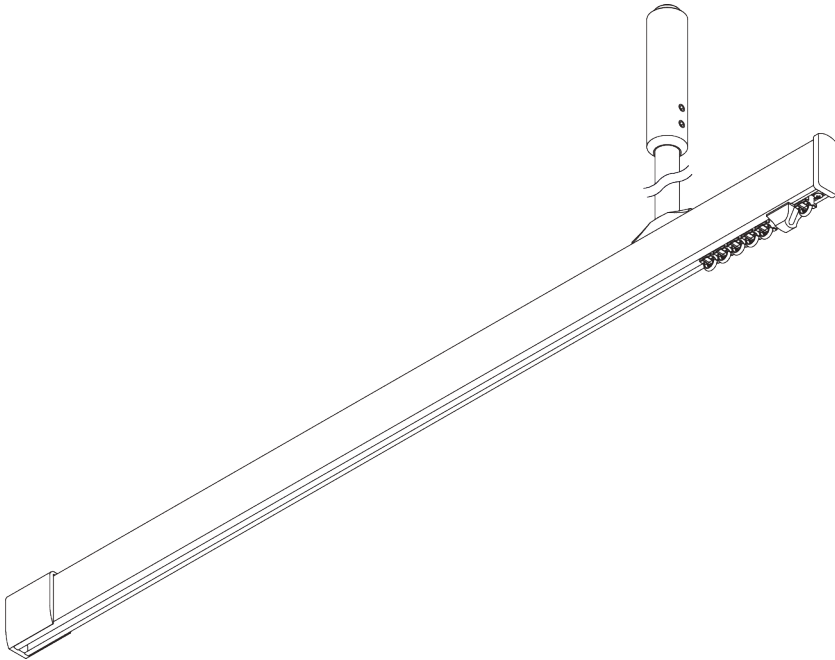
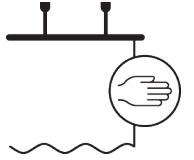
	<b>SG 1085p</b> Profile
	<b>SG 3070</b> End stop
	<b>SG 3085</b> Spring stop
	<b>SG 3533</b> Glider
	<b>SG 3656</b> End cover

## B. OPTIONAL PARTS

	<b>SG 3534</b> Glider 3533 on strip
	<b>SG 3582</b> Hook
	<b>SG 3625</b> Hanger
	<b>SG 3652</b> Wall support
	<b>SG 10430</b> Draw rod 50 cm
	<b>SG 10431</b> Draw rod 75 cm
	<b>SG 10432</b> Draw rod 100 cm
	<b>SG 10433</b> Draw rod 125 cm
	<b>SG 10434</b> Draw rod 150 cm
	<b>SG 11335</b> End stop

# SG 6100

---



## PRODUCT INFORMATION

- **Operation:** hand
- **Range:** S - L
- **Fitting:** suspended, ceiling, wall
- **Colours:** white RAL 9016, black RAL 9005 or anodised aluminum, special colours possible
- **Fabrics:** refer to Silent Gliss fabric collection

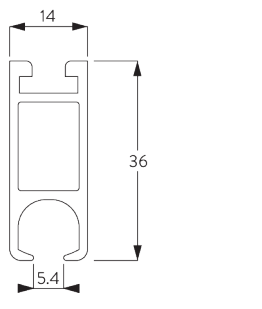
### **Features:**

- Universal room divider
- 2-component (2C) glider technology
- Wave (2C)
- Suspended
- Versatile layouts
- Bendable

# SYSTEM SPECIFICATIONS

## A. PROFILE

Profile and bending information

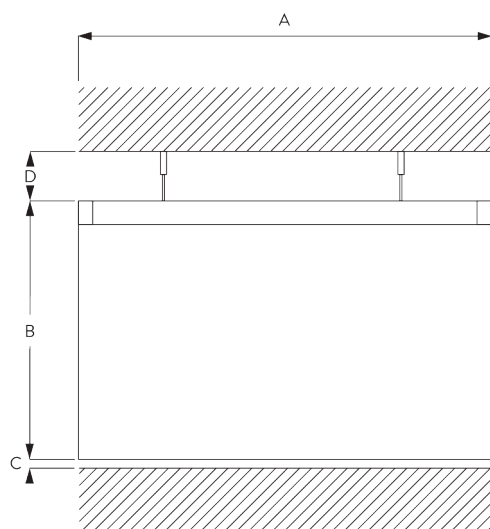


SG 6101

Profile

Radius:  
✓ 20 cm, >25 cm

## B. HOW TO MEASURE



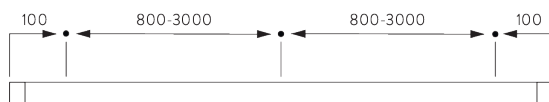
A: System width  
B: System height  
C: Distance between floor and fabric  
D: Distance between ceiling and system

# FITTING

## A. FITTING INFORMATION

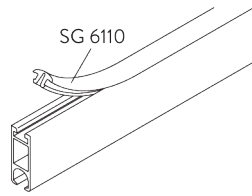
Fixing points

For detailed fitting information, visit the [Silent Gliss website](#).



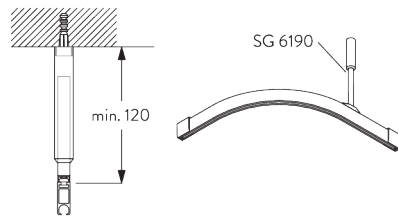


**Dust cover**

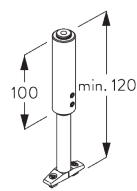


**B. CEILING FITTING**

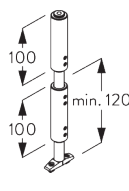
**Hanger SG 6190 / SG 6196**



*Or variant with SG 6196 double hanger.*

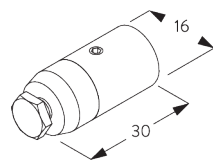
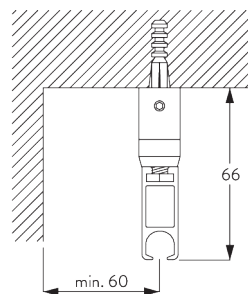


**SG 6190**  
*Hanger*



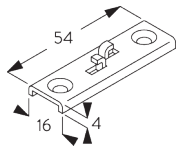
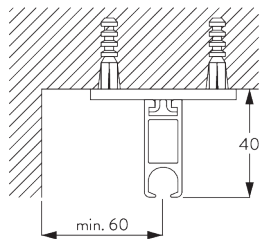
**SG 6196**  
*Double hanger*

**Mini hanger SG 6175**



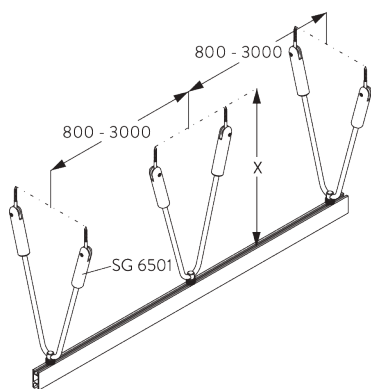
**SG 6175**  
*Mini hanger*

## Bracket SG 6124

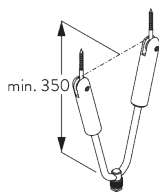


**SG 6124**  
Bracket

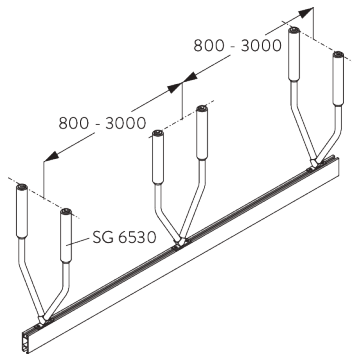
## V-hanger



**SG 6501:**  
*V-hangers (25°-35°) provide additional lateral stability.*

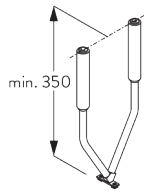


**SG 6501**  
V-Hanger



**SG 6530:**

V-hangers (25°-35°) provide additional lateral stability.

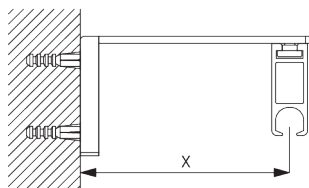


**SG 6530**

V-Hanger

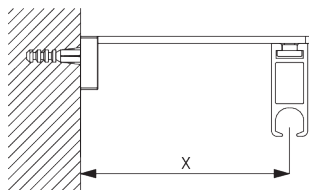
**C. WALL FITTING**

**Smart Fix**



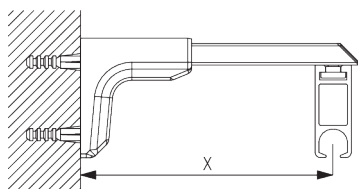
**Smart Fix with slot SG 11206 - SG 11208:**

Screw SG 10492 (M4x8) needed.



**Square Smart Fix with slot SG 11216 - SG 11218:**

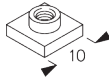
Screw SG 10492 (M4x8) needed.



**Universal Smart Fix SG 11154 - SG 11156:**

Screw SG 11131 (M4x6) needed.

Smart Fix	X mm
SG 11206 / SG 11216	33-51
SG 11207 / SG 11217	53-71
SG 11208 / SG 11218	73-91
SG 11154	102-130
SG 11155	132-160
SG 11156	182-210



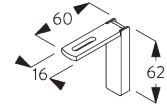
**SG 6117**  
Slot nut



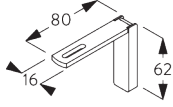
**SG 10492**  
Pan head screw M4x8



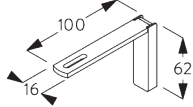
**SG 11131**  
Pan head screw with flange  
M4x6



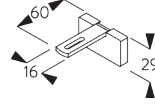
**SG 11206**  
Smart Fix with slot 60 mm



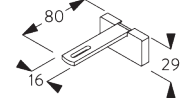
**SG 11207**  
Smart Fix with slot 80 mm



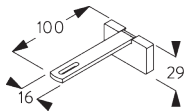
**SG 11208**  
Smart Fix with slot 100 mm



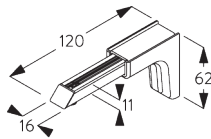
**SG 11216**  
Square Smart Fix with slot 60  
mm



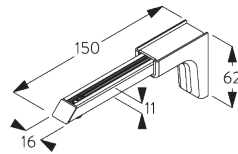
**SG 11217**  
Square Smart Fix with slot 80  
mm



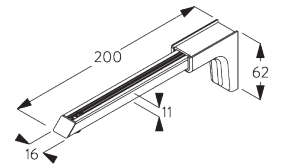
**SG 11218**  
Square Smart Fix with slot  
100 mm



**SG 11154**  
Universal Smart Fix 120 mm

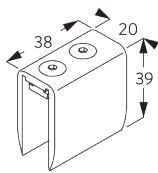
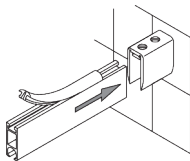


**SG 11155**  
Universal Smart Fix 150 mm

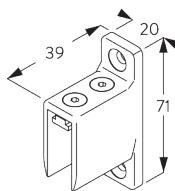


**SG 11156**  
Universal Smart Fix 200 mm

**Wall support SG 6610  
& SG 6614**



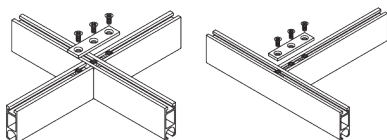
**SG 6610**  
Wall support

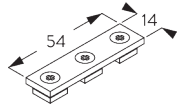


**SG 6614**  
Wall bracket, metal

**D. PROFILE  
JUNCTIONS**

**Connection bridge  
SG 6123**

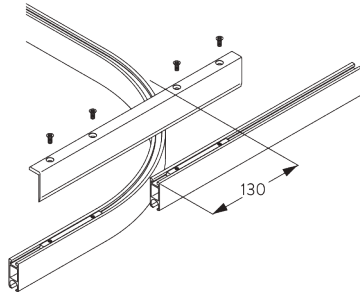
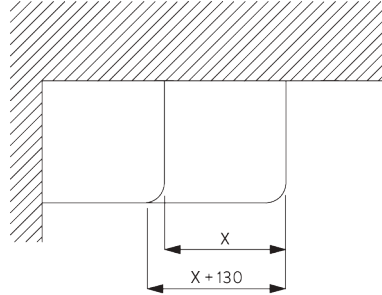




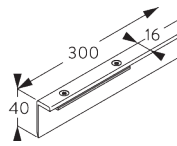
**SG 6123**

Connection plate

**Connection bridge  
SG 6512**



*Note: be sure to attach a sketch!*

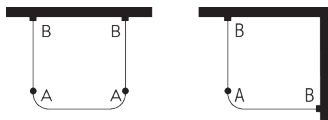


**SG 6512**

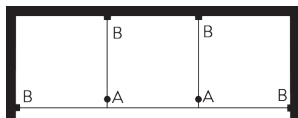
Connection bridge

# SYSTEM OPTIONS

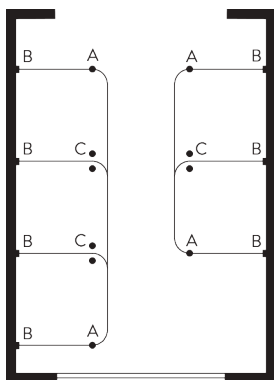
## A. LAYOUT OPTIONS



A: Hanger rod  
B: Wall support

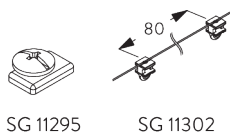
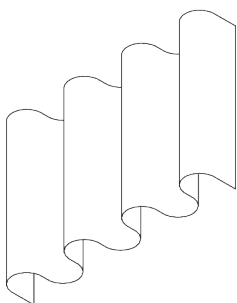


A: Hanger rod  
B: Wall support



A: Hanger rod  
B: Wall support  
C: V-hanger

## B. WAVE

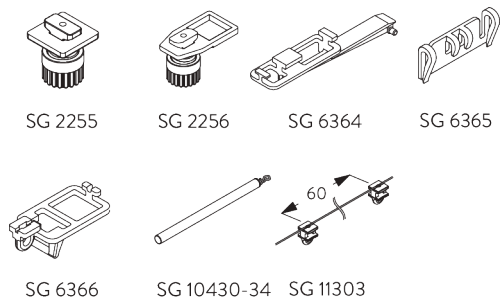


SG 11295

SG 11302

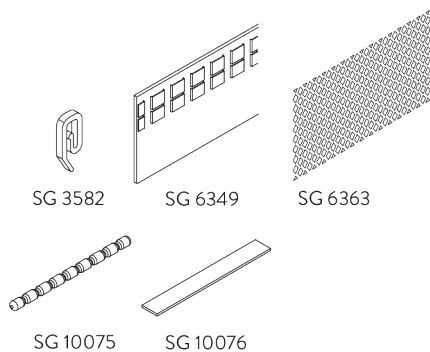
Standard components:

- SG 11295 End stop
- SG 11302 Wave 2C glider cord 80 mm



Optional components (min. radius >25 cm):

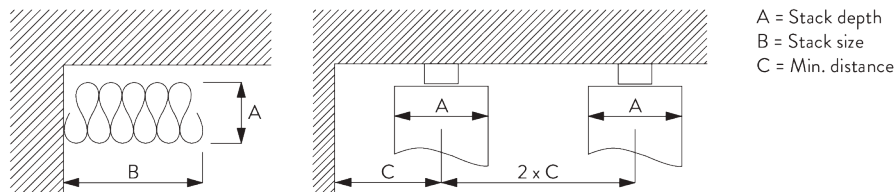
- SG 2255 Brake
- SG 2256 Brake
- SG 6364 Wave extension
- SG 6365 Wave hanger
- SG 6366 Wave carrier for draw rod
- SG 10430-34 Draw rod
- SG 11303 Wave 2C glider cord 60 mm



Curtain components:

- SG 3582 Hook
- SG 6349 Wave curtain tape
- SG 6363 Wave top hemming tape
- SG 10075 Lead weight 50 gr/m
- SG 10076 Fabric weight

Wave stack depth - 2C glider cord (standard components)



A = Stack depth  
 B = Stack size  
 C = Min. distance

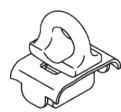
2C Glider cord SG 11302	Pockets between hooks	Approx. curtain fullness	Stack depth A	Stack size B*	Min distance C
80	6	~2.1	140	180 per metre of track	90
80	7	~2.3	160	180 per metre of track	100

2C Glider cord SG 11303	Pockets between hooks	Approx. curtain fullness	Stack depth A	Stack size B*	Min distance C
60	4	~2.1	100	230 per metre of track	70
60	5	~2.3	120	230 per metre of track	80

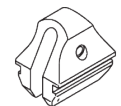
\*Stack size B when using optional extension arm SG 6364 increases by 150 mm per curtain stack!

# PARTS

## A. STANDARD PARTS



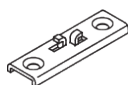
**SG 6065**  
End stop



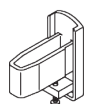
**SG 6086**  
Spring stop



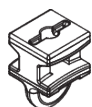
**SG 6101**  
Profile



**SG 6124**  
Bracket

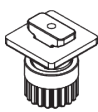


**SG 6611**  
End cover

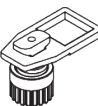


**SG 11300**  
2C glider

## B. OPTIONAL PARTS



**SG 2255**  
Brake



**SG 2256**  
Brake



**SG 3582**  
Hook



**SG 6053**  
Spring stop



**SG 6094**  
Roller



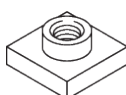
**SG 6098**  
Roller



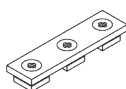
**SG 6110**  
Dust cover



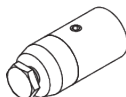
**SG 6112**  
Connection bridge



**SG 6117**  
Slot nut



**SG 6123**  
Connection plate



**SG 6175**  
Mini hanger



**SG 6190**  
Hanger



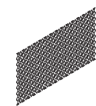
**SG 6196**  
Double hanger



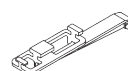
**SG 6283**  
Roller



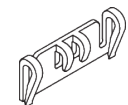
**SG 6349**  
Wave curtain tape



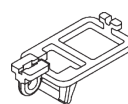
**SG 6363**  
Wave top hemming tape



**SG 6364**  
Wave extension



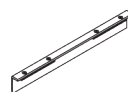
**SG 6365**  
Wave hanger



**SG 6366**  
Wave carrier for draw rod



**SG 6501**  
V-Hanger



**SG 6512**  
Connection bridge



**SG 6530**  
V-Hanger



**SG 6610**  
Wall support



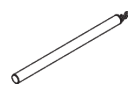
**SG 6614**  
Wall bracket, metal



**SG 10075**  
Lead weight 50 g/m



**SG 10076**  
Fabric weight

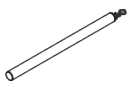


**SG 10430**  
Draw rod 50 cm



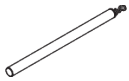
**SG 10431**  
Draw rod 75 cm





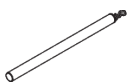
**SG 10432**

Draw rod 100 cm



**SG 10433**

Draw rod 125 cm



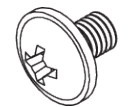
**SG 10434**

Draw rod 150 cm



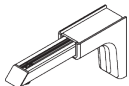
**SG 10492**

Pan head screw M4x8



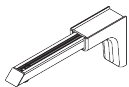
**SG 11131**

Pan head screw with flange M4x6



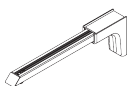
**SG 11154**

Universal Smart Fix 120 mm



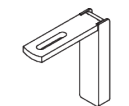
**SG 11155**

Universal Smart Fix 150 mm



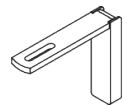
**SG 11156**

Universal Smart Fix 200 mm



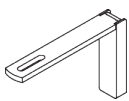
**SG 11206**

Smart Fix with slot 60 mm



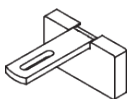
**SG 11207**

Smart Fix with slot 80 mm



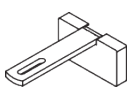
**SG 11208**

Smart Fix with slot 100 mm



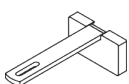
**SG 11216**

Square Smart Fix with slot 60 mm



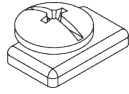
**SG 11217**

Square Smart Fix with slot 80 mm



**SG 11218**

Square Smart Fix with slot 100 mm



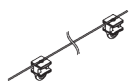
**SG 11295**

End stop



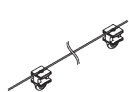
**SG 11301**

2C glider on strip



**SG 11302**

Wave 2C glider cord 80 mm



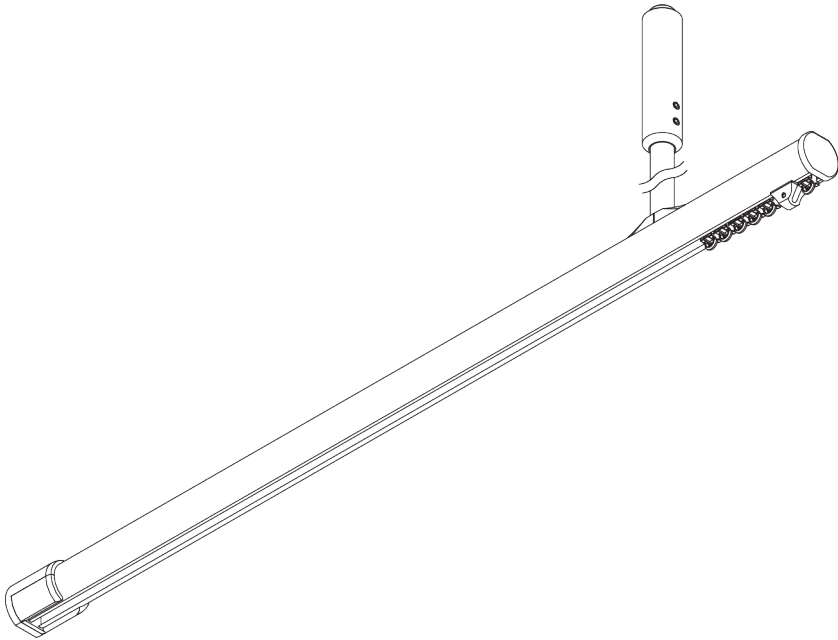
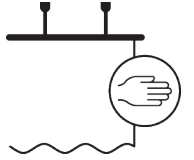
**SG 11303**

Wave 2C glider cord 60 mm



# SG 6103

---



## PRODUCT INFORMATION

- **Operation:** hand
- **Range:** S - L
- **Fitting:** suspended, ceiling, wall
- **Colours:** white RAL 9016 or anodised aluminum, special colours possible
- **Fabrics:** refer to Silent Gliss fabric collection

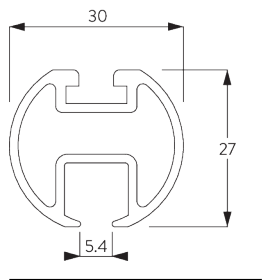
### **Features:**

- Universal room divider
- 2-component (2C) glider technology
- Wave (2C)
- Suspended
- Versatile layouts
- Bendable

# SYSTEM SPECIFICATIONS

## A. PROFILE

Profile and bending information



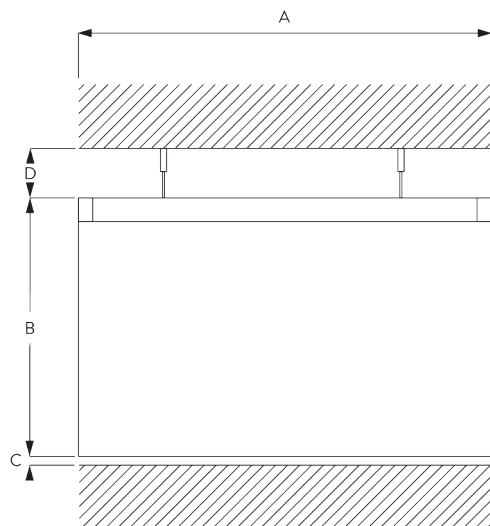
SG 6103p

Profile



Radius:  
>25 cm

## B. HOW TO MEASURE



A: System width

B: System height

C: Distance between floor and fabric

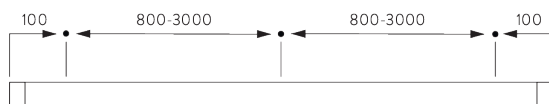
D: Distance between ceiling and system

# FITTING

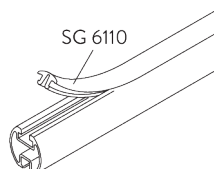
## A. FITTING INFORMATION

Fixing points

For detailed fitting information, visit the [Silent Gliss website](#).

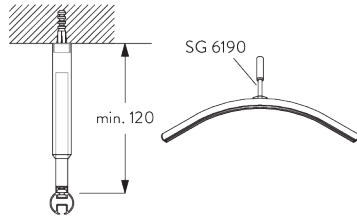


Dust Cover

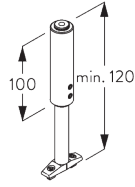


**B. CEILING FITTING**

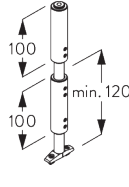
**Hanger SG 6190 / SG 6196**



Or variant with SG 6196 double hanger.

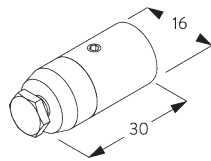
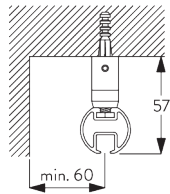


**SG 6190**  
Hanger



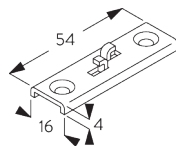
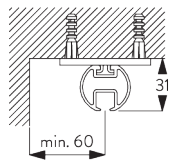
**SG 6196**  
Double hanger

**Mini hanger SG 6175**



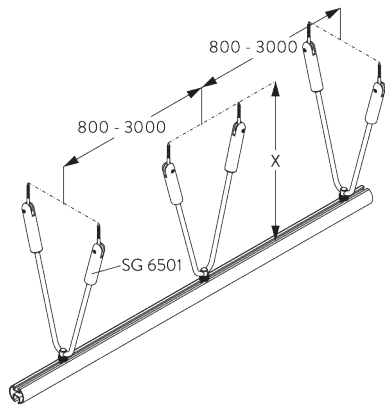
**SG 6175**  
Mini hanger

**Bracket SG 6124**

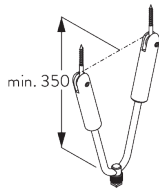


**SG 6124**  
Bracket

## V-hanger

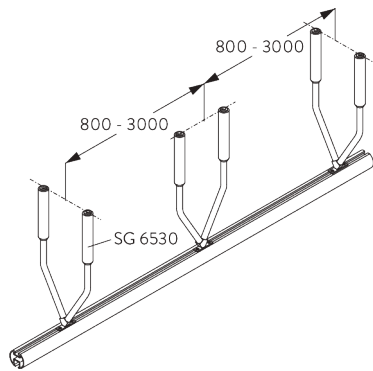


**SG 6501:**  
*V-hangers (25°-35°) provide additional lateral stability.*

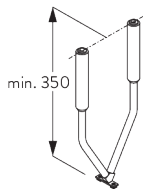


---

**SG 6501**  
*V-Hanger*



**SG 6530:**  
*V-hangers (25°-35°) provide additional lateral stability.*

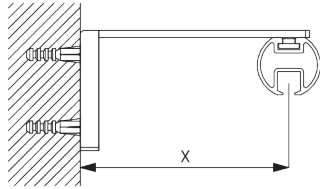


---

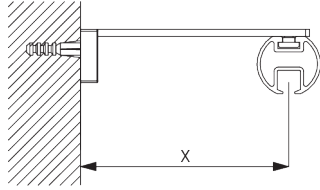
**SG 6530**  
*V-Hanger*

## C. WALL FITTING

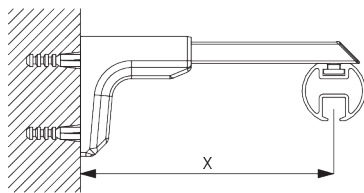
### Smart Fix



**Smart Fix with slot SG 11206 - SG 11208:**  
Screw SG 10492 (M4x8) needed.

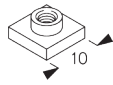


**Square Smart Fix with slot SG 11216 - SG 11218:**  
Screw SG 10492 (M4x8) needed.



**Universal Smart Fix SG 11154 - SG 11156:**  
Screw SG 11131 (M4x6) needed.

Smart Fix	X mm
SG 11206 / SG 11216	33-51
SG 11207 / SG 11217	53-71
SG 11208 / SG 11218	73-91
SG 11154	102-130
SG 11155	132-160
SG 11156	182-210



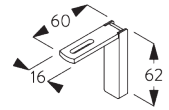
**SG 6117**  
Slot nut



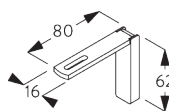
**SG 10492**  
Pan head screw M4x8



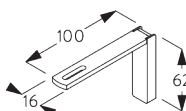
**SG 11131**  
Pan head screw with flange  
M4x6



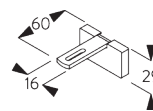
**SG 11206**  
Smart Fix with slot 60 mm



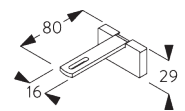
**SG 11207**  
Smart Fix with slot 80 mm



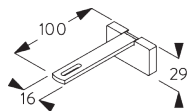
**SG 11208**  
Smart Fix with slot 100 mm



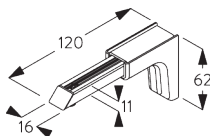
**SG 11216**  
Square Smart Fix with slot 60  
mm



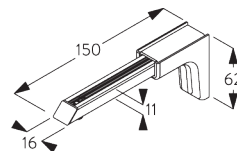
**SG 11217**  
Square Smart Fix with slot 80  
mm



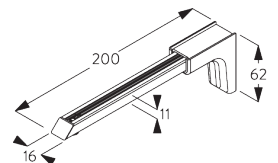
**SG 11218**  
Square Smart Fix with slot  
100 mm



**SG 11154**  
Universal Smart Fix 120 mm



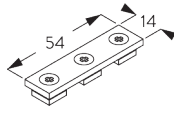
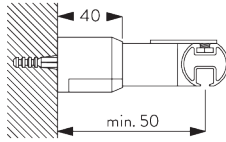
**SG 11155**  
Universal Smart Fix 150 mm



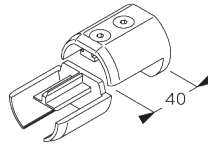
**SG 11156**  
Universal Smart Fix 200 mm

## D. WALL SUPPORT

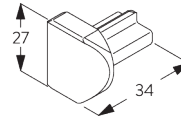
### Bracket SG 6620



**SG 6123**  
Connection plate



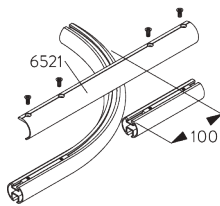
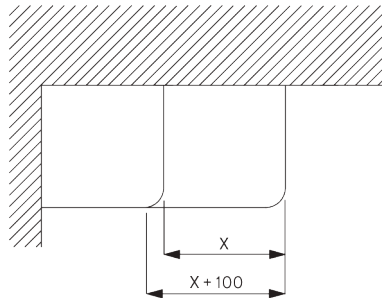
**SG 6620**  
Wall bracket



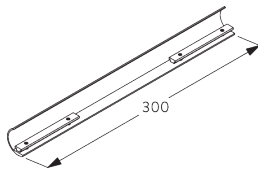
**SG 6631**  
Connection piece

## E. PROFILE JUNCTIONS

### Connection bridge SG 6521

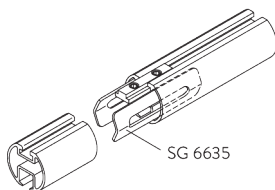


*Note: be sure to attach a sketch!*

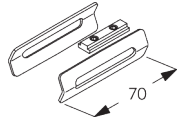


**SG 6521**  
Connection bridge

### Connection set SG 6635





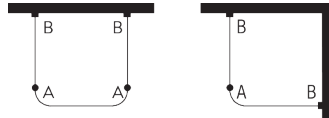


**SG 6635**

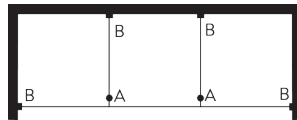
Connection bridge set

# SYSTEM OPTIONS

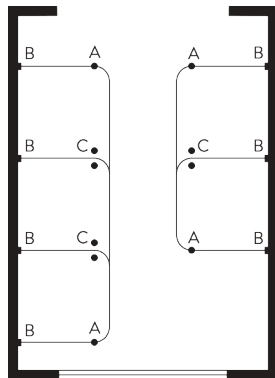
## A. LAYOUT OPTIONS



A: Hanger rod  
B: Wall support

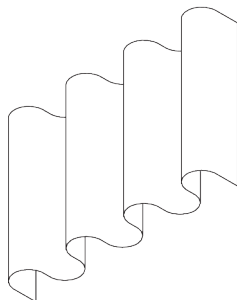


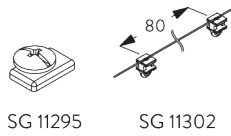
A: Hanger rod  
B: Wall support



A: Hanger rod  
B: Wall support  
C: V-hanger

## B. WAVE



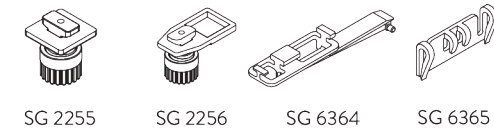


SG 11295

SG 11302

Standard components:

- SG 11295 End stop
- SG 11302 Wave 2C glider cord 80 mm



SG 2255

SG 2256

SG 6364

SG 6365

Optional components:

- SG 2255 Brake
- SG 2256 Brake
- SG 6364 Wave extension
- SG 6365 Wave hanger
- SG 6366 Wave carrier for draw rod
- SG 10430-34 Draw rod
- SG 11303 Wave 2C glider cord 60 mm



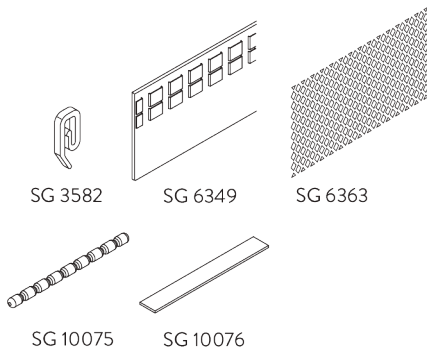
SG 6366

SG 10430-34

SG 11303

Curtain components:

- SG 3582 Hook
- SG 6349 Wave curtain tape
- SG 6363 Wave top hemming tape
- SG 10075 Lead weight 50 gr/m
- SG 10076 Fabric weight



SG 3582

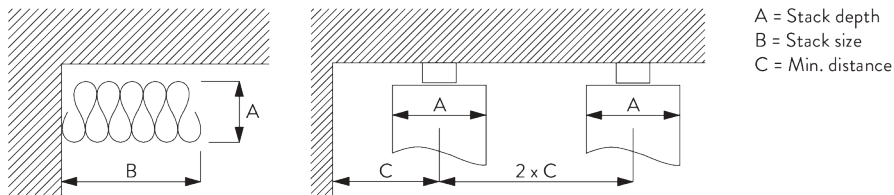
SG 6349

SG 6363

SG 10075

SG 10076

Wave stack depth - 2C glider cord (standard components)




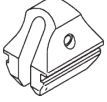

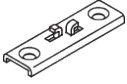
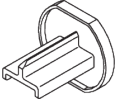

2C Glider cord SG 11302	Pockets between hooks	Approx. curtain fullness	Stack depth A	Stack size B*	Min distance C
80	6	~2.1	140	180 per metre of track	90
80	7	~2.3	160	180 per metre of track	100

2C Glider cord SG 11303	Pockets between hooks	Approx. curtain fullness	Stack depth A	Stack size B*	Min distance C
60	4	~2.1	100	230 per metre of track	70
60	5	~2.3	120	230 per metre of track	80

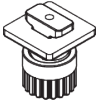
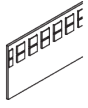
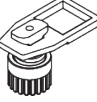


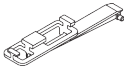



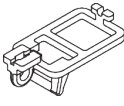

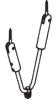
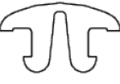


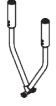
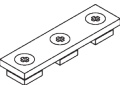
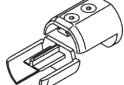



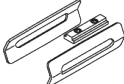



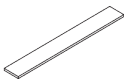


\*Stack size B when using optional extension arm SG 6364 increases by 150 mm per curtain stack!

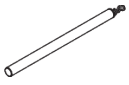
# PARTS

## A. STANDARD PARTS

	<b>SG 6065</b> End stop
	<b>SG 6086</b> Spring stop
	<b>SG 6103p</b> Profile
	<b>SG 6124</b> Bracket
	<b>SG 6630</b> End cover
	<b>SG 11300</b> 2C glider

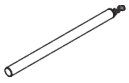
## B. OPTIONAL PARTS

	<b>SG 2255</b> Brake		<b>SG 6349</b> Wave curtain tape
	<b>SG 2256</b> Brake		<b>SG 6363</b> Wave top hemming tape
	<b>SG 3582</b> Hook		<b>SG 6364</b> Wave extension
	<b>SG 6053</b> Spring stop		<b>SG 6365</b> Wave hanger
	<b>SG 6094</b> Roller		<b>SG 6366</b> Wave carrier for draw rod
	<b>SG 6098</b> Roller		<b>SG 6501</b> V-Hanger
	<b>SG 6110</b> Dust cover		<b>SG 6521</b> Connection bridge
	<b>SG 6117</b> Slot nut		<b>SG 6530</b> V-Hanger
	<b>SG 6123</b> Connection plate		<b>SG 6620</b> Wall bracket
	<b>SG 6125</b> Corner connection piece		<b>SG 6631</b> Connection piece
	<b>SG 6175</b> Mini hanger		<b>SG 6635</b> Connection bridge set
	<b>SG 6190</b> Hanger		<b>SG 10075</b> Lead weight 50 g/m
	<b>SG 6196</b> Double hanger		<b>SG 10076</b> Fabric weight
	<b>SG 6283</b> Roller		<b>SG 10430</b> Draw rod 50 cm



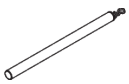
**SG 10431**

Draw rod 75 cm



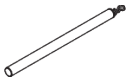
**SG 10432**

Draw rod 100 cm



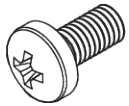
**SG 10433**

Draw rod 125 cm



**SG 10434**

Draw rod 150 cm



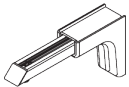
**SG 10492**

Pan head screw M4x8



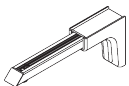
**SG 11131**

Pan head screw with flange M4x6



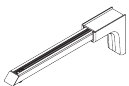
**SG 11154**

Universal Smart Fix 120 mm



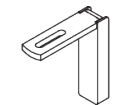
**SG 11155**

Universal Smart Fix 150 mm



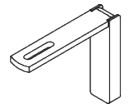
**SG 11156**

Universal Smart Fix 200 mm



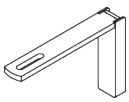
**SG 11206**

Smart Fix with slot 60 mm



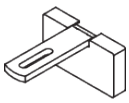
**SG 11207**

Smart Fix with slot 80 mm



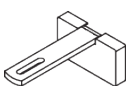
**SG 11208**

Smart Fix with slot 100 mm



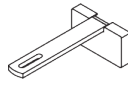
**SG 11216**

Square Smart Fix with slot 60 mm



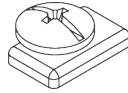
**SG 11217**

Square Smart Fix with slot 80 mm



**SG 11218**

Square Smart Fix with slot 100 mm



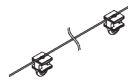
**SG 11295**

End stop



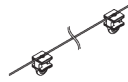
**SG 11301**

2C glider on strip



**SG 11302**

Wave 2C glider cord 80 mm



**SG 11303**

Wave 2C glider cord 60 mm







## ***The Architects of Silence***

***Silent Gliss is the leading global supplier of premium interior window treatments. Since 1952 we have been tirelessly committed to the development of the worlds` smoothest, quietest systems using state of the art technology.***

*Driven by customer needs, Silent Gliss offers functional and durable products. Expert technical advice coupled with installation and support services complete the offer. Silent Gliss stands for innovative, sustainable, tailor made solutions, exceptional design and first-class quality.*

### **Silent Gliss Iberia, S.L.**

C/Muntaner, 231 2° 1aA

08021 Barcelona

**T**+34 931 187 843

info@silentgliss.es

Av. Canteras, 64, Módulo 2

Nave A

28343 Valdemoro (Madrid)

**T**+34 912 963 831

info@silentgliss.es

**silentgliss.es**