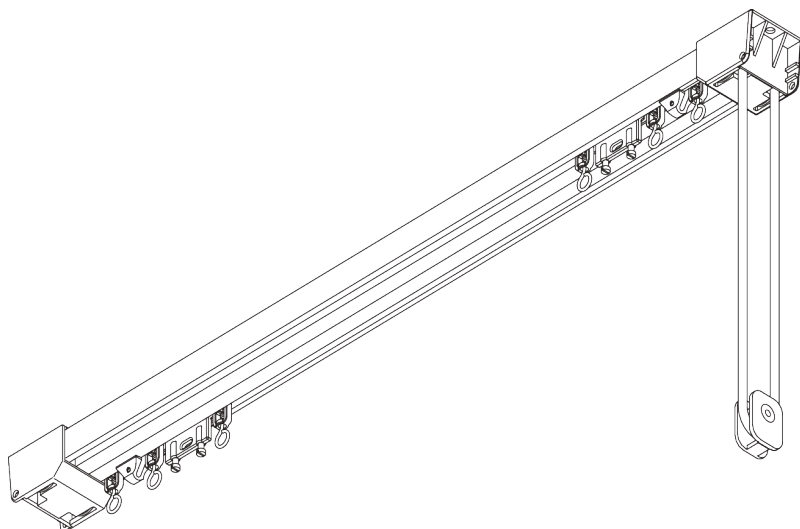
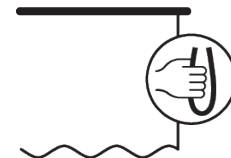


# SG 6370

---



## PRODUCT INFORMATION

- **Operation:** cord
- **Range:** L
- **Fitting:** ceiling, wall
- **Colours:** white RAL 9016 or anodised aluminum, special colours possible
- **Fabrics:** refer to Silent Gliss fabric collection

### **Features:**

- Bendable

# SYSTEM SPECIFICATIONS

## A. SYSTEM DIMENSIONS



15 m



66 kg

### Max. curtain weight - roller SG 6098 / SG 6094

	2 m	4 m	6 m	8 m	10 m	12 m	15 m
	62	60	58	56	54	50	46
	66	64	62	60	58	55	50
	46	43	40	37	34	30	25
	50	47	44	41	38	35	30
	36	33	30	27	24	22	18
	44	40	36	33	30	28	22
	24	19	14	5	4	-	-
	27	23	19	10	9	-	-

(kg max.)

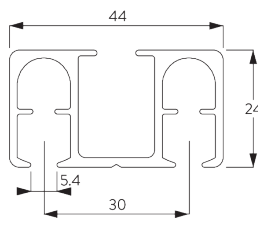
### Max. curtain weight - roller SG 6283

	2 m	4 m	6 m	8 m	10 m	12 m	15 m
	45	42	40	38	35	32	28
	46	44	42	40	38	36	34
	32	30	28	26	24	22	18
	34	32	30	28	26	23	20
	24	22	20	18	16	13	10
	29	27	25	23	21	18	15

(kg max.)

## B. PROFILE

### Profile and bending information

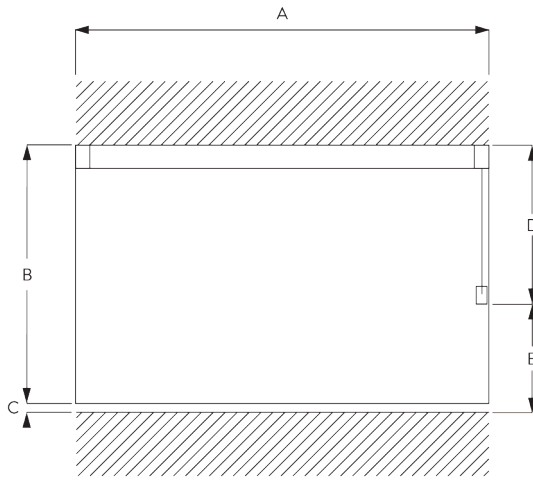


SG 6371

Profile



**C. HOW TO  
MEASURE**



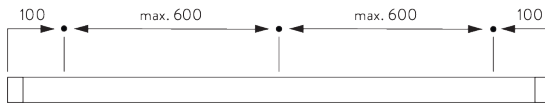
- A: System width
- B: System height
- C: Distance between floor and fabric
- D: Cord height
- E: Safety Retainer SG 10731 min. 150 cm above floor

**FITTING**

**A. FITTING  
INFORMATION**

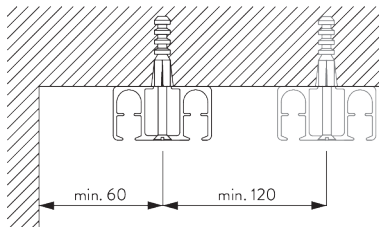
For detailed fitting information, visit the Silent Gliss website.

**Fixing points**



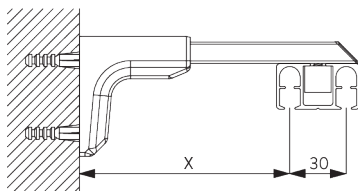
**B. CEILING FITTING**

**Direct fitting**



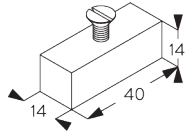
**C. WALL FITTING**

**Smart Fix**



**Universal Smart Fix SG 11154 - SG 11156 and nut SG 6369:**  
Screw SG 11157 (M5x20) needed.

Smart Fix	X mm
SG 11154	87-115
SG 11155	117-145
SG 11156	167-195



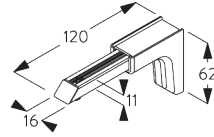
**SG 6369**

Nut



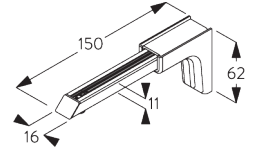
**SG 11157**

Pan head screw with flange  
M5x20



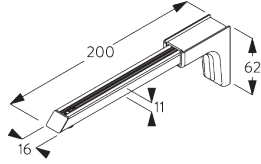
**SG 11154**

Universal Smart Fix 120 mm



**SG 11155**

Universal Smart Fix 150 mm


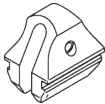

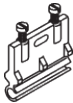
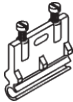

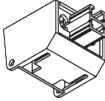
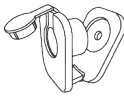


**SG 11156**



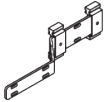


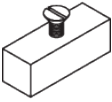
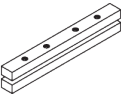
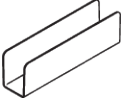


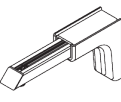
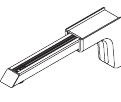
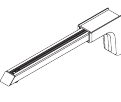
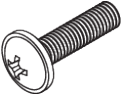
Universal Smart Fix 200 mm

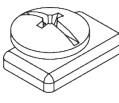
# PARTS

## A. STANDARD PARTS

	<b>SG 6070</b> Cord ø 6 mm
	<b>SG 6086</b> Spring stop
	<b>SG 6098</b> Roller
	<b>SG 6214</b> Pilot runner
	<b>SG 6227</b> Pilot runner
	<b>SG 6371</b> Profile
	<b>SG 6377</b> Cord guide set
	<b>SG 10731</b> Child safety retainer set

## B. OPTIONAL PARTS

	<b>SG 3582</b> Hook
	<b>SG 6053</b> Spring stop
	<b>SG 6079</b> Overlap arm
	<b>SG 6094</b> Roller
	<b>SG 6283</b> Roller
	<b>SG 6369</b> Nut
	<b>SG 6372</b> Connection bridge
	<b>SG 6376</b> Connection bridge
	<b>SG 6575</b> Cord tensioner
	<b>SG 6578</b> Floor holder
	<b>SG 11154</b> Universal Smart Fix 120 mm
	<b>SG 11155</b> Universal Smart Fix 150 mm
	<b>SG 11156</b> Universal Smart Fix 200 mm
	<b>SG 11157</b> Pan head screw with flange M5x20

	<b>SG 11295</b> End stop
---	-----------------------------





