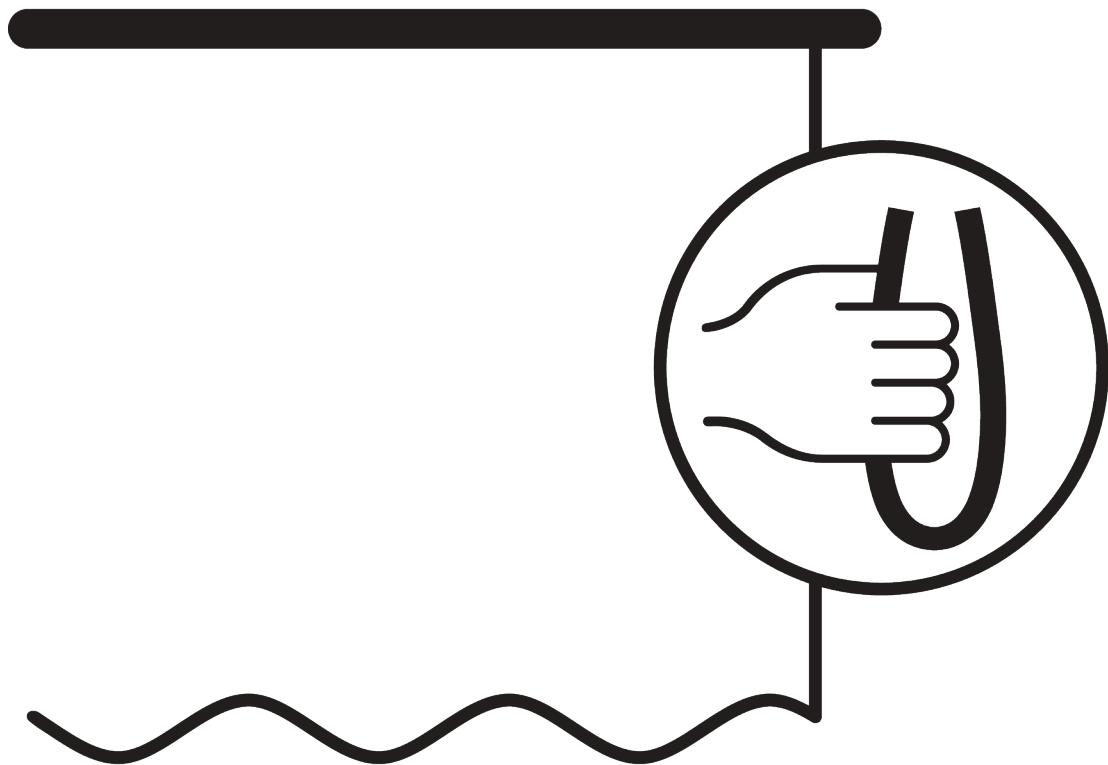


# CORD OPERATED CURTAIN TRACK SYSTEMS



# GENERAL NOTES

## **Dimensions**

- Measurements are in mm except where indicated.
- Max. kg relates to fabric incl. accessories.
- Stack size depends on curtain make-up and fabric thickness.
- Distance between gliders max. 80 mm / distance between rollers max. 100 mm.
- Recommended distance floor / fabric: 20 mm.
- In order to determine system height (B), the smallest room height must be taken into account.
- Full functionality may be affected if the curtain touches the profile.


















## **Fitting**

- Installation by qualified fitter only.
- Number of brackets and fitting positions / fixing points vary depending on fitting surface, system weight, fabric make-up, screw / fixing type and obstacles.
- Qualified fitter must use appropriate screws / fixings for each situation.
- Profile lip if applicable to be installed to room side.

## **Child Safety**

- All relevant Silent Gliss systems correspond to child safety EN 13120.
- All parties involved must comply with EN 13120.

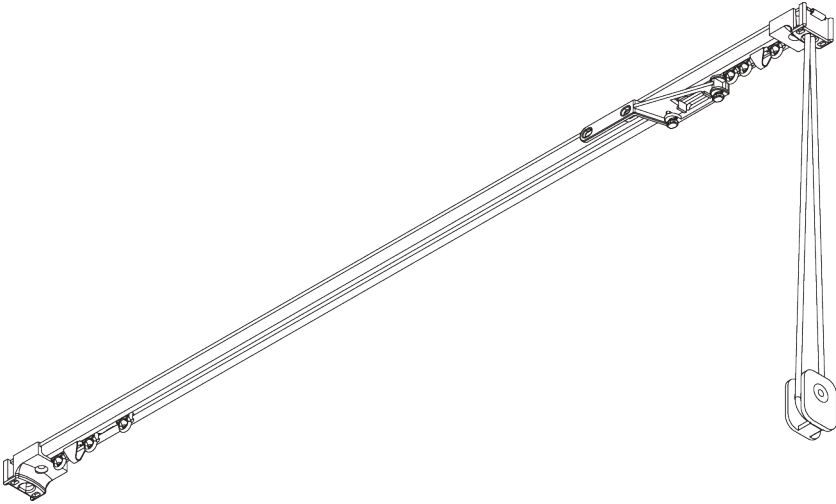
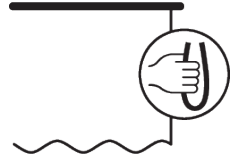
# APPLICATION CHART

<u>PAGE</u>	<u>SYSTEM</u>	<u>OPERATION</u>	<u>DIMENSION</u>	<u>DESIGN</u>	<u>WAVE</u>	← max. →	kg <sub>max.</sub>
5	<b>SG 1014</b>		S			6 m	11 kg
9	<b>SG 3000</b>		S - M			6 m	15 kg
17	<b>SG 3840</b>		M - L			6 m	14 kg
29	<b>SG 3870</b>		M - L			6 m	14 kg
39	<b>SG 3900</b>		M - L			12 m	20 kg
45	<b>SG 3970</b>		M - L			15 m	38 kg
55	<b>SG 6370</b>		L			15 m	66 kg



# SG 1014

---



## PRODUCT INFORMATION

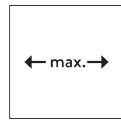
- **Operation:** cord
- **Range:** S
- **Fitting:** ceiling
- **Colours:** white RAL 9016 or anodised aluminum, special colours possible
- **Fabrics:** refer to Silent Gliss fabric collection

### **Features:**

- Pre-drilled profile
- Bendable
- Fitting tool center SG 7550

# SYSTEM SPECIFICATIONS

## A. SYSTEM DIMENSIONS



6 m



11 kg

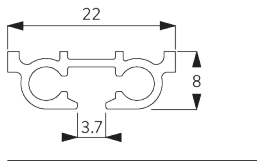
## Max. curtain weight

	2 m	4 m	6 m
	8	7	6
	11	10	8
	5	4	-
	6	5	-
	3	2	-
	5	4	-

(kg max.)

## B. PROFILE

### Profile and bending information

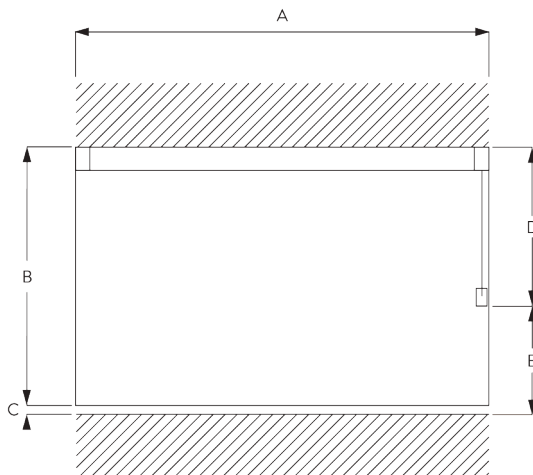


SG 1014p

Profile



## C. HOW TO MEASURE



A: System width

B: System height

C: Distance between floor and fabric

D: Cord height

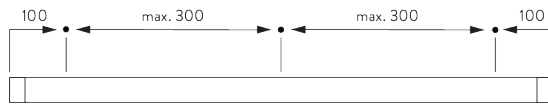
E: Safety Retainer SG 10731 min. 150 cm above floor

# FITTING

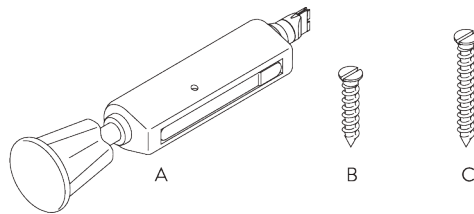
## A. FITTING INFORMATION

For detailed fitting information, visit the Silent Gliss website.

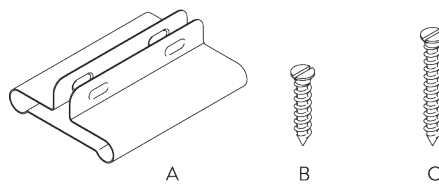
### Fixing points



### Fitting Tool



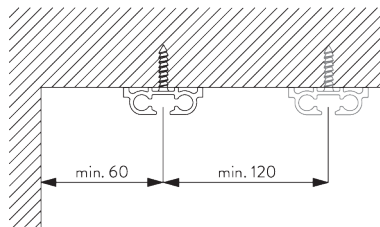
A: Center SG 7550 Tool  
 B: Special Screw SG 3019 / 12 mm  
 C: Special Screw SG 3025 / 18 mm



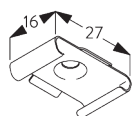
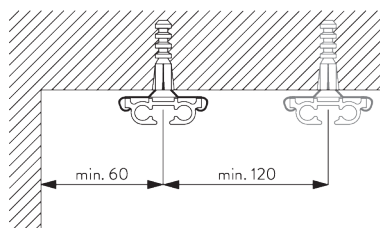
A: Profile Protector SG 7002  
 B: Special Screw SG 3019 / 12 mm  
 C: Special Screw SG 3025 / 18 mm

## B. CEILING FITTING

### Direct into wood



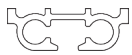
### Bracket SG 3114



SG 3114  
 Bracket

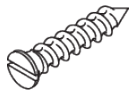
# PARTS

## A. STANDARD PARTS



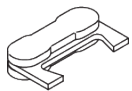
**SG 1014p**

Profile



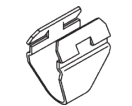
**SG 3019**

Special screw 12 mm



**SG 3030**

Pilot runner



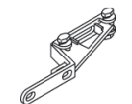
**SG 3085**

Spring stop



**SG 3090**

Cord  $\varnothing$  3.5 mm



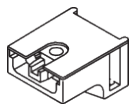
**SG 3242**

Overlap arm



**SG 3533**

Glider



**SG 3714**

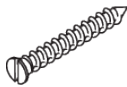
Cord guide



**SG 10731**

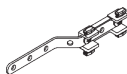
Child safety retainer set

## B. OPTIONAL PARTS



**SG 3025**

Special screw 18 mm



**SG 3045**

Overlap arm



**SG 3070**

End stop



**SG 3114**

Bracket



**SG 3340**

Cord/chain weight



**SG 3534**

Glider 3533 on strip



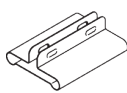
**SG 3582**

Hook



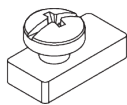
**SG 3735**

Cord weight with tensioner



**SG 7002**

Profile protector



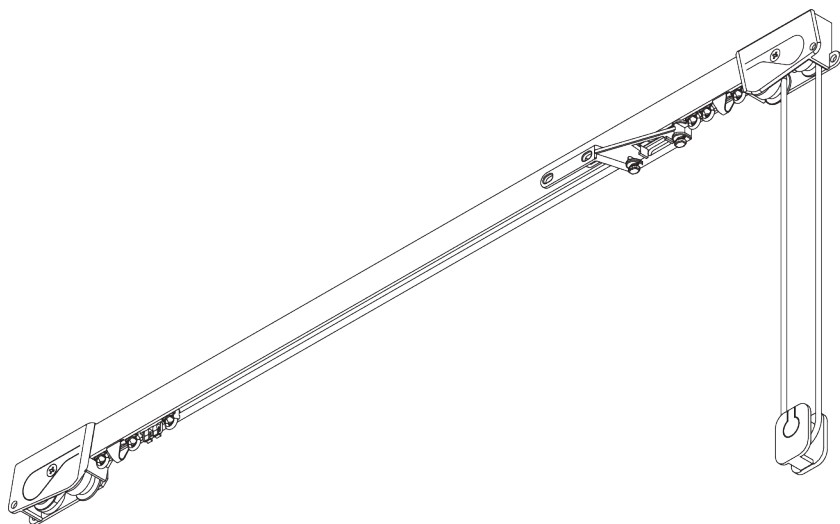
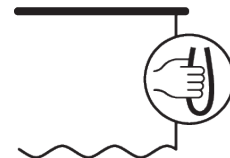
**SG 11335**

End stop



# SG 3000

---



## PRODUCT INFORMATION

- **Operation:** cord
- **Range:** S - M
- **Fitting:** ceiling, wall
- **Colours:** white RAL 9016 or anodised aluminum, special colours possible
- **Fabrics:** refer to Silent Gliss fabric collection

### **Features:**

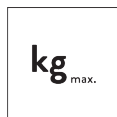
- Bendable

# SYSTEM SPECIFICATIONS

## A. SYSTEM DIMENSIONS



6 m



15 kg

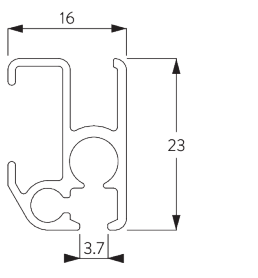
### Max. curtain weight

	2 m	4 m	6 m
	15	14	13
	15	14	13
	10	7	5
	10	7	5
	5	4	3
	5	4	3
	4	3	-
	4	3	-

(kg max.)

## B. PROFILE

### Profile and bending information

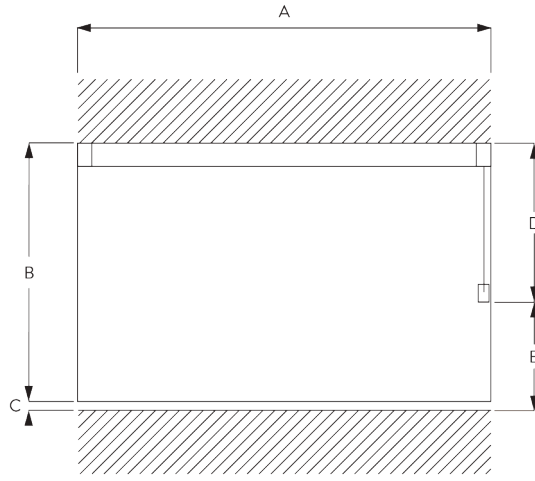


**SG 1082**

Profile

Radius:  
✓ 10 cm, 20 cm, >30 cm

**C. HOW TO  
MEASURE**



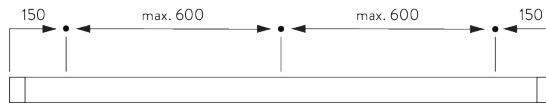
- A: System width
- B: System height
- C: Distance between floor and fabric
- D: Cord height
- E: Safety Retainer SG 10731 min. 150 cm above floor

**FITTING**

**A. FITTING  
INFORMATION**

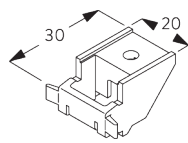
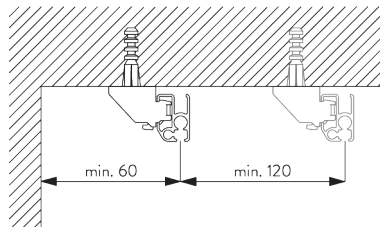
For detailed fitting information, visit the Silent Gliss website.

**Fixing points**



**B. CEILING FITTING**

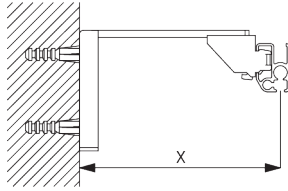
**Bracket SG 3603**



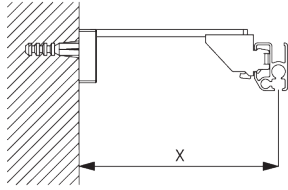
**SG 3603**  
Bracket

## C. WALL FITTING

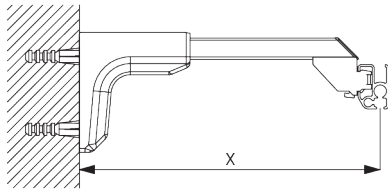
### Smart Fix



**Smart Fix SG 11200 - SG 11205 and bracket SG 3603:**  
Screw SG 10492 (M4x8) needed.

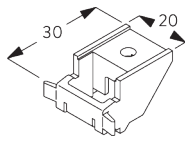


**Square Smart Fix SG 11210 - SG 11215 and bracket SG 3603:**  
Screw SG 10492 (M4x8) needed.



**Universal Smart Fix SG 11154 - SG 11156 and bracket SG 3603:**  
Screw SG 10277 (M4x12) needed.

Smart Fix	X mm
SG 11200 / SG 11210	76
SG 11201 / SG 11211	96
SG 11202 / SG 11212	116
SG 11203 / SG 11213	136
SG 11204 / SG 11214	166
SG 11205 / SG 11215	216
SG 11154	127-155
SG 11155	157-185
SG 11156	207-235



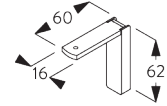
**SG 3603**  
Bracket



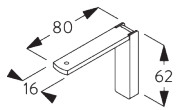
**SG 10277**  
Pan head screw M4x12



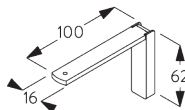
**SG 10492**  
Pan head screw M4x8



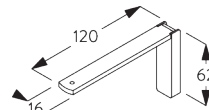
**SG 11200**  
Smart Fix 60 mm



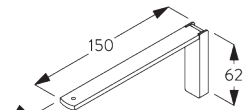
**SG 11201**  
Smart Fix 80 mm



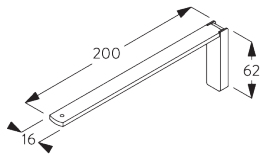
**SG 11202**  
Smart Fix 100 mm



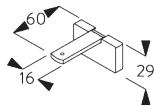
**SG 11203**  
Smart Fix 120 mm



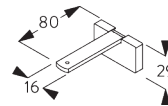
**SG 11204**  
Smart Fix 150 mm



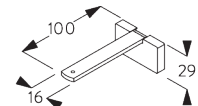
**SG 11205**  
Smart Fix 200 mm



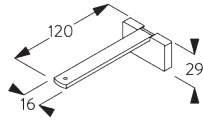
**SG 11210**  
Square Smart Fix 60 mm



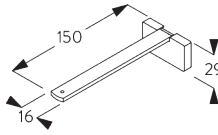
**SG 11211**  
Square Smart Fix 80 mm



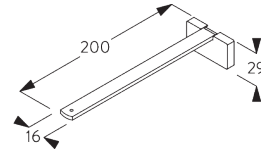
**SG 11212**  
Square Smart Fix 100 mm



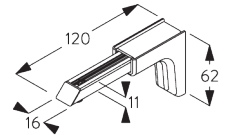
**SG 11213**  
Square Smart Fix 120 mm



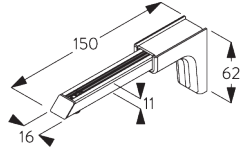
**SG 11214**  
Square Smart Fix 150 mm



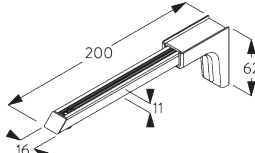
**SG 11215**  
Square Smart Fix 200 mm



**SG 11154**  
Universal Smart Fix 120 mm

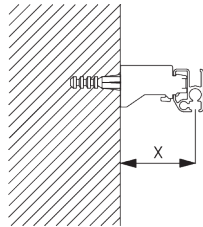


**SG 11155**  
Universal Smart Fix 150 mm

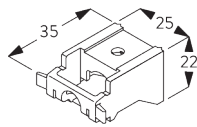


**SG 11156**  
Universal Smart Fix 200 mm

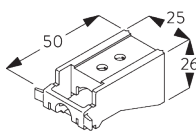
**Universal brackets  
SG 3630, SG 3655,  
SG 3660**



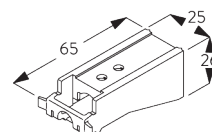
<b>Bracket</b>	<b>X mm</b>
SG 3630	39
SG 3655	54
SG 3660	69



**SG 3630**  
Bracket 35 mm



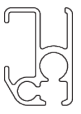


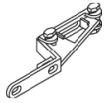



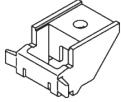
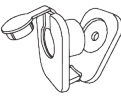
**SG 3655**  
Bracket 50 mm





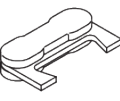



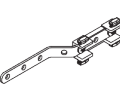
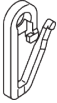

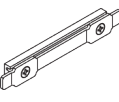

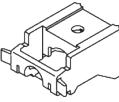
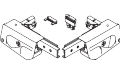
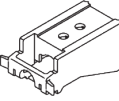

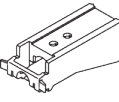



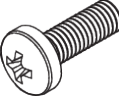

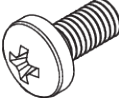

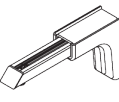
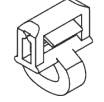
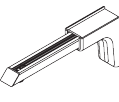
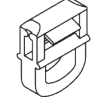
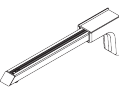
**SG 3660**  
Bracket 65 mm

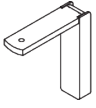
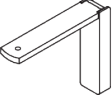
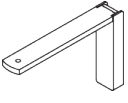
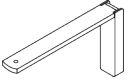
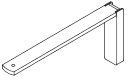

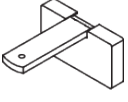
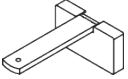
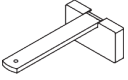
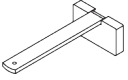
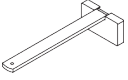
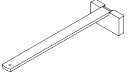
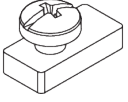
# PARTS

## A. STANDARD PARTS

	<b>SG 1082</b> Profile
	<b>SG 3085</b> Spring stop
	<b>SG 3090</b> Cord ø 3.5 mm
	<b>SG 3242</b> Overlap arm
	<b>SG 3288</b> Cord guide set
	<b>SG 3533</b> Glider
	<b>SG 3599</b> Hook
	<b>SG 3603</b> Bracket
	<b>SG 10731</b> Child safety retainer set

## B. OPTIONAL PARTS

	<b>SG 3012</b> Hook		<b>SG 3549</b> Click glider with hook
	<b>SG 3030</b> Pilot runner		<b>SG 3555</b> Hook
	<b>SG 3032</b> Spring stop		<b>SG 3582</b> Hook
	<b>SG 3045</b> Overlap arm		<b>SG 3598</b> Eyelet
	<b>SG 3070</b> End stop		<b>SG 3620</b> Connection bridge
	<b>SG 3091</b> Cord ø 3.5 mm		<b>SG 3630</b> Bracket 35 mm
	<b>SG 3289</b> Cord guide set		<b>SG 3655</b> Bracket 50 mm
	<b>SG 3340</b> Cord/chain weight		<b>SG 3660</b> Bracket 65 mm
	<b>SG 3511</b> Glider		<b>SG 3735</b> Cord weight with tensioner
	<b>SG 3534</b> Glider 3533 on strip		<b>SG 10277</b> Pan head screw M4x12
	<b>SG 3535</b> Glider		<b>SG 10492</b> Pan head screw M4x8
	<b>SG 3537</b> Glider		<b>SG 11154</b> Universal Smart Fix 120 mm
	<b>SG 3547</b> Glider		<b>SG 11155</b> Universal Smart Fix 150 mm
	<b>SG 3548</b> Glider		<b>SG 11156</b> Universal Smart Fix 200 mm

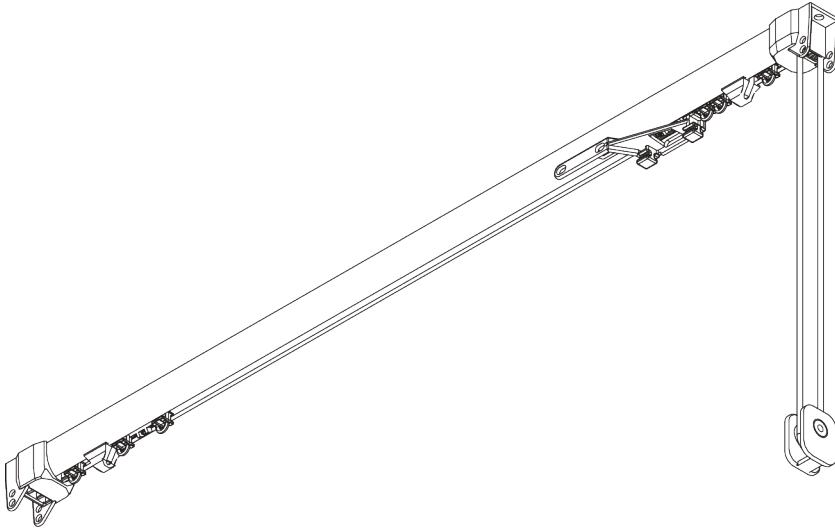
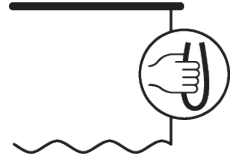
	<b>SG 11200</b> Smart Fix 60 mm
	<b>SG 11201</b> Smart Fix 80 mm
	<b>SG 11202</b> Smart Fix 100 mm
	<b>SG 11203</b> Smart Fix 120 mm
	<b>SG 11204</b> Smart Fix 150 mm
	<b>SG 11205</b> Smart Fix 200 mm
	<b>SG 11210</b> Square Smart Fix 60 mm
	<b>SG 11211</b> Square Smart Fix 80 mm
	<b>SG 11212</b> Square Smart Fix 100 mm
	<b>SG 11213</b> Square Smart Fix 120 mm
	<b>SG 11214</b> Square Smart Fix 150 mm
	<b>SG 11215</b> Square Smart Fix 200 mm
	<b>SG 11335</b> End stop





# SG 3840

---



## PRODUCT INFORMATION

- **Operation:** cord
- **Range:** M - L
- **Fitting:** ceiling, wall
- **Colours:** white RAL 9016, black RAL 9005 or anodised aluminum, special colours possible
- **Fabrics:** refer to Silent Gliss fabric collection

### **Features:**

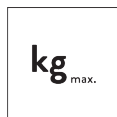
- 2-component (2C) glider technology
- Wave (2C)
- Bendable

# SYSTEM SPECIFICATIONS

## A. SYSTEM DIMENSIONS



6 m



14 kg

### Max. curtain weight - 2C glider or roller

	2 m	4 m	6 m
	12	11	10
	14	13	12
	9	8	7
	10	9	6
	6	5	4
	7	6	5
	5	4	3
	6	5	4

(kg max.)

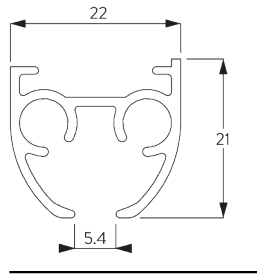
### Max. curtain weight - Wave 2C glider cord

	2 m	4 m	6 m
	5	8	7
	5	8	8
	5	6	5
	5	6	6
	4	3	-
	4	4	3
	3	2	-
	3	3	-

(kg max.)

## B. PROFILE

Profile and bending information

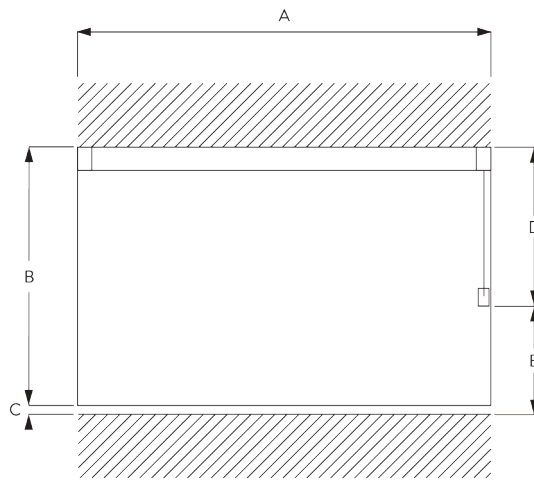


SG 3841

Profile

Radius:  
20 cm, >30 cm

## C. HOW TO MEASURE



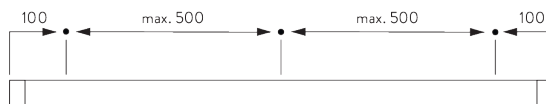
A: System width  
B: System height  
C: Distance between floor and fabric  
D: Cord height  
E: Safety Retainer SG 10731 min. 150 cm above floor

# FITTING

## A. FITTING INFORMATION

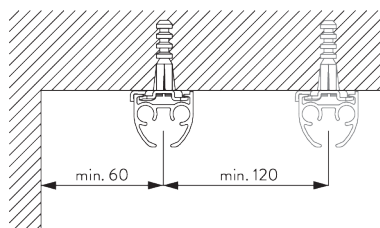
For detailed fitting information, visit the [Silent Gliss website](#).

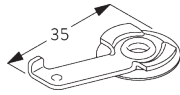
Fixing Points



## B. CEILING FITTING

Clamp SG 3825

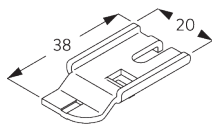
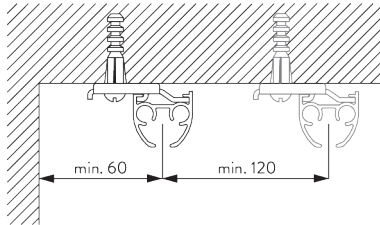




**SG 3825**

Clamp

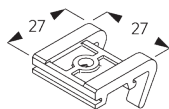
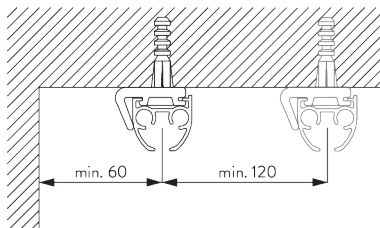
**Bracket SG 3832**



**SG 3832**

Bracket

**Bracket SG 3826**

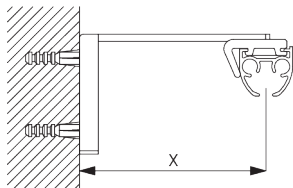


**SG 3826**

Bracket

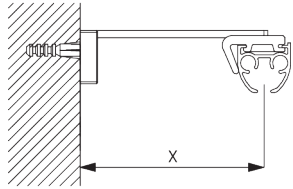
**C. WALL FITTING**

**Smart Fix**



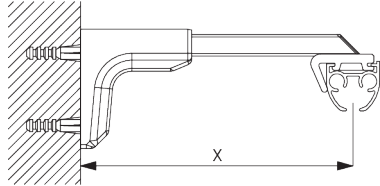
**Smart Fix SG 11200 - SG 11205 and bracket SG 3826:**  
Screw SG 10492 (M4x8) needed.

Smart Fix	X mm (SG 3826 / SG 3825)	X mm (SG 3832)
SG 11200 / SG 11210	52	70
SG 11201 / SG 11211	72	90
SG 11202 / SG 11212	92	110
SG 11203 / SG 11213	112	130
SG 11204 / SG 11214	142	160
SG 11205 / SG 11215	192	210
SG 11154	102-130	120-148
SG 11155	132-160	150-178
SG 11156	182-210	200-228



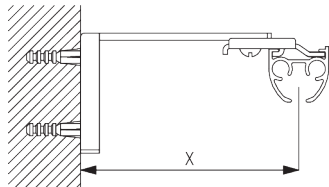
**Square Smart Fix SG 11210 - SG 11215 and bracket SG 3826:**

Screw SG 10492 (M4x8) needed.



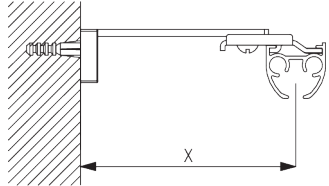
**Universal Smart Fix SG 11154 - SG 11156 and bracket SG 3826:**

Screw SG 10277 (M4x12) needed.



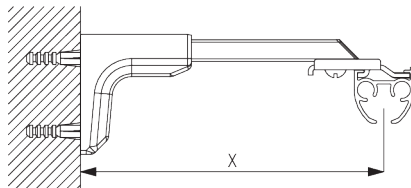
**Smart Fix SG 11200 - SG 11205 and bracket SG 3832:**

Screw SG 10492 (M4x8) needed.



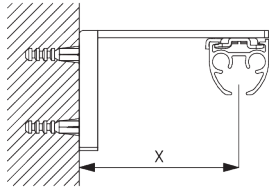
**Square Smart Fix SG 11210 - SG 11215 and bracket SG 3832:**

Screw SG 10492 (M4x8) needed.

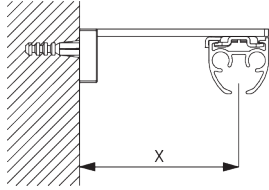


**Universal Smart Fix SG 11154 - SG 11156 and bracket SG 3832:**

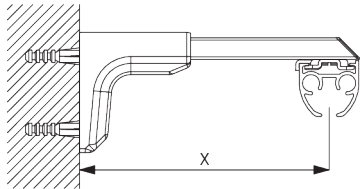
Screw SG 10407 (M4x10) needed.



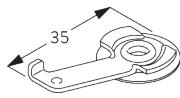
**Smart Fix SG 11200 - SG 11205 and clamp SG 3825:**  
Screw SG 10074 (M4x8) needed.



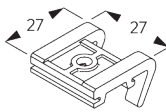
**Square Smart Fix SG 11210 - SG 11215 and clamp SG 3825:**  
Screw SG 10074 (M4x8) needed.



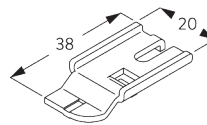
**Universal Smart Fix SG 11154 - SG 11156 and clamp SG 3825:**  
Screw SG 11158 (M4x12) needed.



**SG 3825**  
Clamp



**SG 3826**  
Bracket



**SG 3832**  
Bracket



**SG 10074**  
Countersunk head screw  
M4x8



**SG 10277**  
Pan head screw M4x12



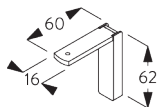
**SG 10407**  
Pan head screw M4x10



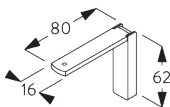
**SG 10492**  
Pan head screw M4x8



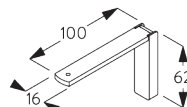
**SG 11158**  
Countersunk head screw  
M4x12



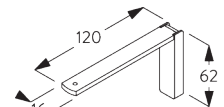
**SG 11200**  
Smart Fix 60 mm



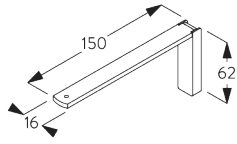
**SG 11201**  
Smart Fix 80 mm



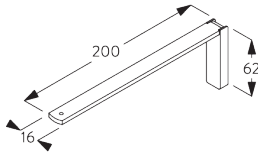
**SG 11202**  
Smart Fix 100 mm



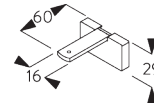
**SG 11203**  
Smart Fix 120 mm



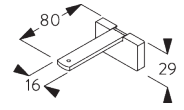
**SG 11204**  
Smart Fix 150 mm



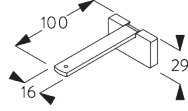
**SG 11205**  
Smart Fix 200 mm



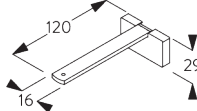
**SG 11210**  
Square Smart Fix 60 mm



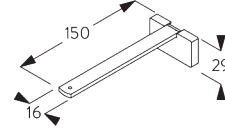
**SG 11211**  
Square Smart Fix 80 mm



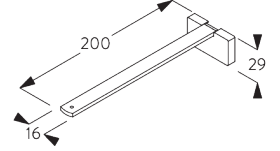
**SG 11212**  
Square Smart Fix 100 mm



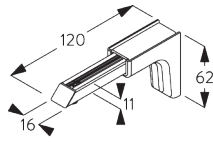
**SG 11213**  
Square Smart Fix 120 mm



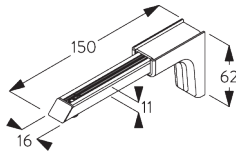
**SG 11214**  
Square Smart Fix 150 mm



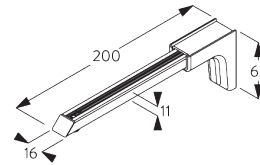
**SG 11215**  
Square Smart Fix 200 mm



**SG 11154**  
Universal Smart Fix 120 mm

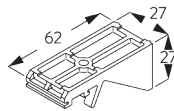
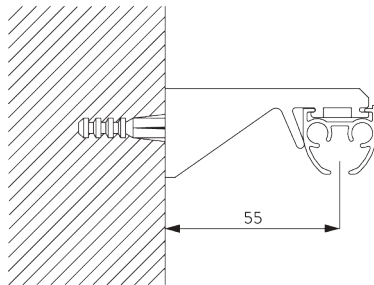


**SG 11155**  
Universal Smart Fix 150 mm



**SG 11156**  
Universal Smart Fix 200 mm

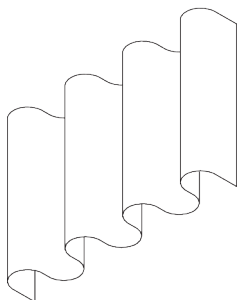
**Bracket SG 3836**



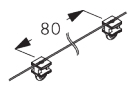
**SG 3836**  
Bracket

# SYSTEM OPTIONS

## A. WAVE



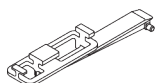
SG 11295



SG 11302

### Standard components:

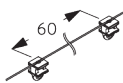
- SG 11295 End stop
- SG 11302 Wave 2C glider cord 80 mm



SG 6364



SG 6365



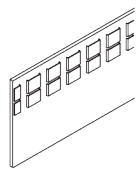
SG 11303

### Optional components (min. radius >30 cm):

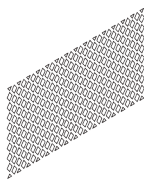
- SG 6364 Wave extension
- SG 6365 Wave hanger
- SG 11303 Wave 2C glider Cord 60 mm



SG 3582



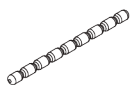
SG 6349



SG 6363

### Curtain components:

- SG 3582 Hook
- SG 6349 Wave curtain tape
- SG 6363 Wave top hemming tape
- SG 10075 Lead weight 50 gr/m
- SG 10076 Fabric weight



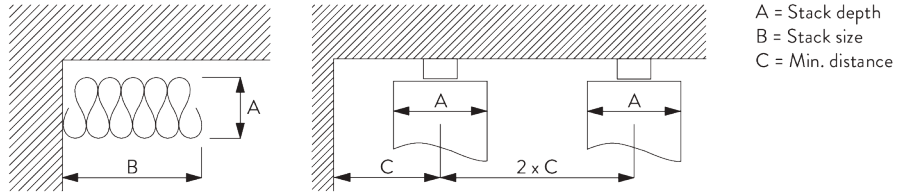
SG 10075



SG 10076



Wave stack depth - 2C glider cord (standard components)



2C Glider cord SG 11302	Pockets between hooks	Approx. curtain fullness	Stack depth A	Stack size B*	Min distance C
80	6	~2.1	140	180 per metre of track	90
80	7	~2.3	160	180 per metre of track	100

2C Glider cord SG 11303	Pockets between hooks	Approx. curtain fullness	Stack depth A	Stack size B*	Min distance C
60	4	~2.1	100	230 per metre of track	70
60	5	~2.3	120	230 per metre of track	80

*\*Stack size B standard*




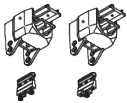
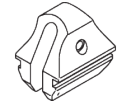
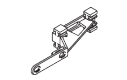
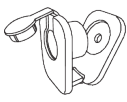

- single stack = plus 130 mm per curtain
- pair stack = plus 30 mm per curtain

*\*Stack size B optional*


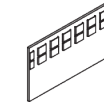

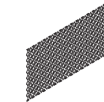

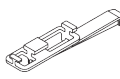

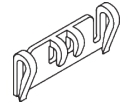

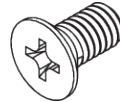
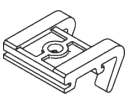

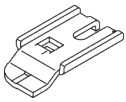
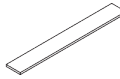
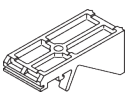
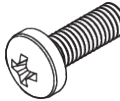

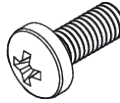
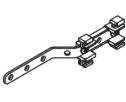
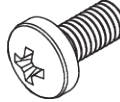

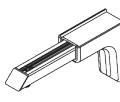

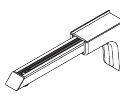

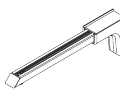

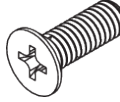
- single stack = plus 200 mm per curtain
- pair stack = plus 200 mm per curtain

# PARTS

## A. STANDARD PARTS

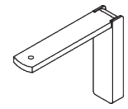
	<b>SG 3090</b> Cord ø 3.5 mm
	<b>SG 3825</b> Clamp
	<b>SG 3841</b> Profile
	<b>SG 3845</b> Cord guide set
	<b>SG 6086</b> Spring stop
	<b>SG 6288</b> Overlap arm
	<b>SG 10731</b> Child safety retainer set
	<b>SG 11300</b> 2C glider

## B. OPTIONAL PARTS

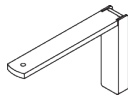
	<b>SG 3340</b> Cord/chain weight		<b>SG 6349</b> Wave curtain tape
	<b>SG 3581</b> Hook		<b>SG 6363</b> Wave top hemming tape
	<b>SG 3582</b> Hook		<b>SG 6364</b> Wave extension
	<b>SG 3735</b> Cord weight with tensioner		<b>SG 6365</b> Wave hanger
	<b>SG 3802</b> Connection bridge		<b>SG 10074</b> Countersunk head screw M4x8
	<b>SG 3826</b> Bracket		<b>SG 10075</b> Lead weight 50 g/m
	<b>SG 3832</b> Bracket		<b>SG 10076</b> Fabric weight
	<b>SG 3836</b> Bracket		<b>SG 10277</b> Pan head screw M4x12
	<b>SG 6053</b> Spring stop		<b>SG 10407</b> Pan head screw M4x10
	<b>SG 6063</b> Overlap arm		<b>SG 10492</b> Pan head screw M4x8
	<b>SG 6065</b> End stop		<b>SG 11154</b> Universal Smart Fix 120 mm
	<b>SG 6094</b> Roller		<b>SG 11155</b> Universal Smart Fix 150 mm
	<b>SG 6098</b> Roller		<b>SG 11156</b> Universal Smart Fix 200 mm
	<b>SG 6283</b> Roller		<b>SG 11158</b> Countersunk head screw M4x12



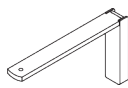
**SG 11200**  
Smart Fix 60 mm



**SG 11201**  
Smart Fix 80 mm



**SG 11202**  
Smart Fix 100 mm



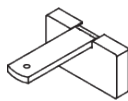
**SG 11203**  
Smart Fix 120 mm



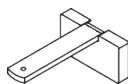
**SG 11204**  
Smart Fix 150 mm



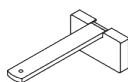
**SG 11205**  
Smart Fix 200 mm



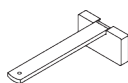
**SG 11210**  
Square Smart Fix 60 mm



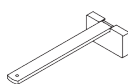
**SG 11211**  
Square Smart Fix 80 mm



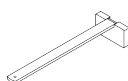
**SG 11212**  
Square Smart Fix 100 mm



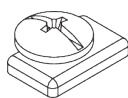
**SG 11213**  
Square Smart Fix 120 mm



**SG 11214**  
Square Smart Fix 150 mm



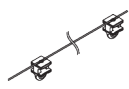
**SG 11215**  
Square Smart Fix 200 mm



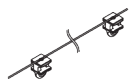
**SG 11295**  
End stop



**SG 11301**  
2C glider on strip



**SG 11302**  
Wave 2C glider cord 80 mm

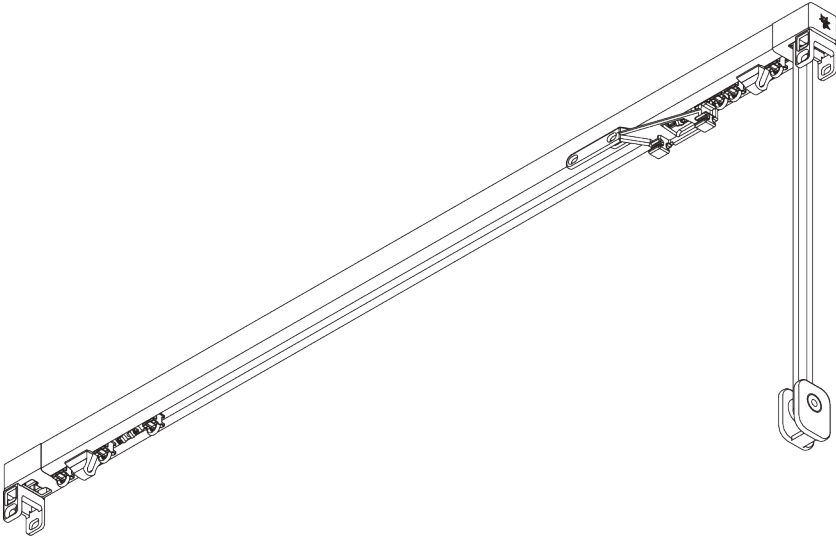
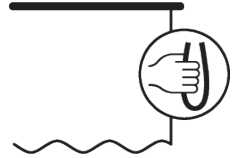


**SG 11303**  
Wave 2C glider cord 60 mm



# SG 3870

---



## PRODUCT INFORMATION

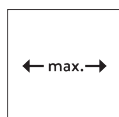
- **Operation:** cord
- **Range:** M - L
- **Fitting:** ceiling, wall, recess
- **Colours:** white RAL 9016, black RAL 9005 or anodised aluminum, special colours possible (recess profile only in white RAL 9016, black RAL 9005 or special color)
- **Fabrics:** refer to Silent Gliss fabric collection

### **Features:**

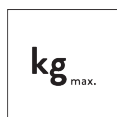
- 2-component (2C) glider technology
- Wave (2C)
- Bendable
- Bendable recess profile

# SYSTEM SPECIFICATIONS

## A. SYSTEM DIMENSIONS



6 m



14 kg

### Max. curtain weight - 2C glider or roller

	2 m	4 m	6 m
	12	11	10
	14	13	12
	9	8	7
	10	9	6
	6	5	4
	7	6	5
	5	4	3
	6	5	4

(kg max.)

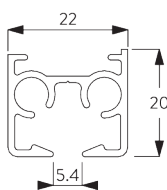
### Max. curtain weight - Wave 2C glider cord

	2 m	4 m	6 m
	5	8	7
	5	8	8
	5	6	5
	5	6	6
	4	3	-
	4	4	3
	3	2	-
	3	3	-

(kg max.)

## B. PROFILE

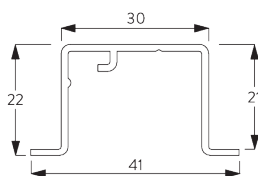
### Profile and bending information



SG 11190

Profile

Radius: >26 cm

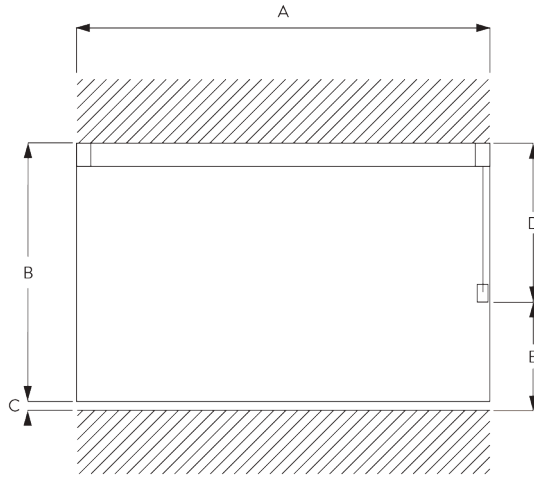


SG 11230

Recess profile

Radius: >50 cm

**C. HOW TO  
MEASURE**



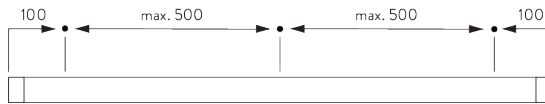
- A: System width
- B: System height
- C: Distance between floor and fabric
- D: Cord height
- E: Safety Retainer SG 10731 min. 150 cm above floor

**FITTING**

**A. FITTING  
INFORMATION**

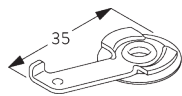
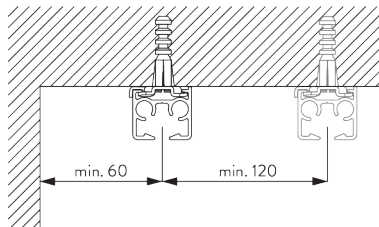
For detailed fitting information, visit the Silent Gliss website.

**Fixing points**



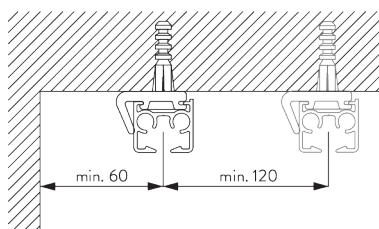
**B. CEILING FITTING**

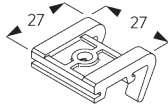
**Clamp SG 3825**



**SG 3825**  
Clamp

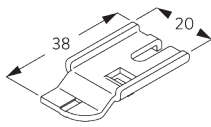
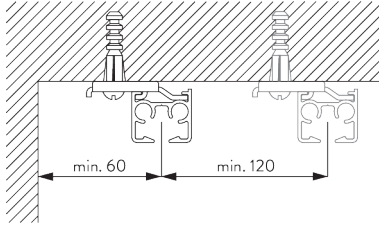
**Bracket SG 3826**





**SG 3826**  
Bracket

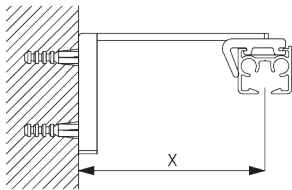
**Bracket SG 3832**



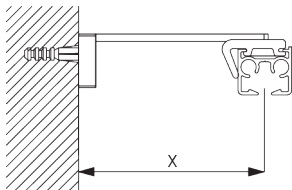
**SG 3832**  
Bracket

**C. WALL FITTING**

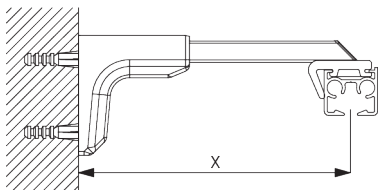
**Smart Fix**



**Smart Fix SG 11200 - SG 11205 and bracket SG 3826:**  
Screw SG 10492 (M4x8) needed.



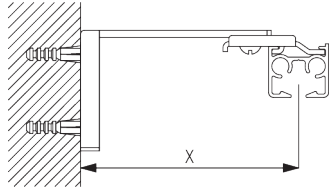
**Square Smart Fix SG 11210 - SG 11215 and bracket SG 3826:**  
Screw SG 10492 (M4x8) needed.



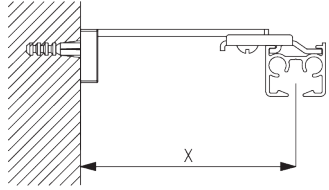
**Universal Smart Fix SG 11154 - SG 11156 and bracket SG 3826:**  
Screw SG 10277 (M4x12) needed.

Smart Fix	X mm (SG 3826 / SG 3825)	X mm (SG 3832)
SG 11200 / SG 11210	52	70
SG 11201 / SG 11211	72	90
SG 11202 / SG 11212	92	110
SG 11203 / SG 11213	112	130
SG 11204 / SG 11214	142	160
SG 11205 / SG 11215	192	210
SG 11154	102-130	120-148
SG 11155	132-160	150-178
SG 11156	182-210	200-228

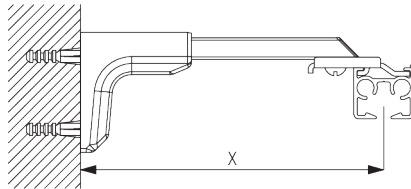




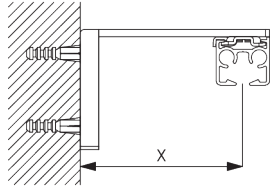
**Smart Fix SG 11200 - SG 11205 and bracket SG 3832:**  
Screw SG 10492 (M4x8) needed.



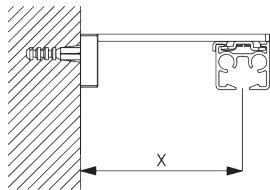
**Square Smart Fix SG 11210 - SG 11215 and bracket SG 3832:**  
Screw SG 10492 (M4x8) needed.



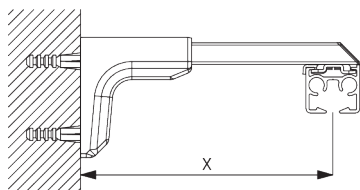
**Universal Smart Fix SG 11154 - SG 11156 and bracket SG 3832:**  
Screw SG 10407 (M4x10) needed.



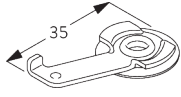
**Smart Fix SG 11200 - SG 11205 and clamp SG 3825:**  
Screw SG 10074 (M4x8) needed.



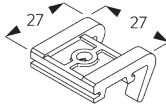
**Square Smart Fix SG 11210 - SG 11215 and clamp SG 3825:**  
Screw SG 10074 (M4x8) needed.



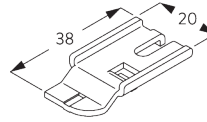
**Universal Smart Fix SG 11154 - SG 11156 and clamp SG 3825:**  
Screw SG 11158 (M4x12) needed.



**SG 3825**  
Clamp



**SG 3826**  
Bracket



**SG 3832**  
Bracket



**SG 10074**  
Countersunk head screw  
M4x8



**SG 10277**  
Pan head screw M4x12



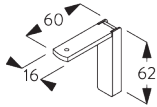
**SG 10407**  
Pan head screw M4x10



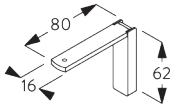
**SG 10492**  
Pan head screw M4x8



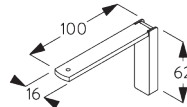
**SG 11158**  
Countersunk head screw  
M4x12



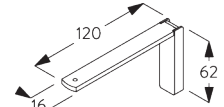
**SG 11200**  
Smart Fix 60 mm



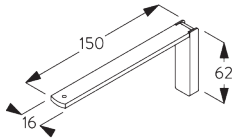
**SG 11201**  
Smart Fix 80 mm



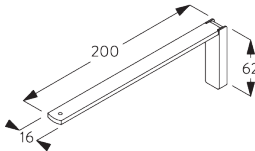
**SG 11202**  
Smart Fix 100 mm



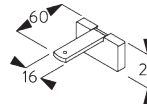
**SG 11203**  
Smart Fix 120 mm



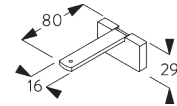
**SG 11204**  
Smart Fix 150 mm



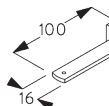
**SG 11205**  
Smart Fix 200 mm



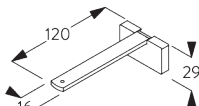
**SG 11210**  
Square Smart Fix 60 mm



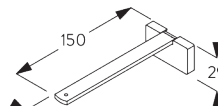
**SG 11211**  
Square Smart Fix 80 mm



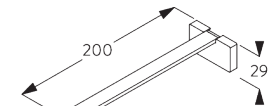
**SG 11212**  
Square Smart Fix 100 mm



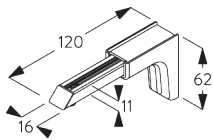
**SG 11213**  
Square Smart Fix 120 mm



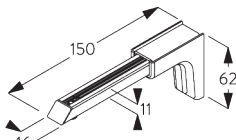
**SG 11214**  
Square Smart Fix 150 mm



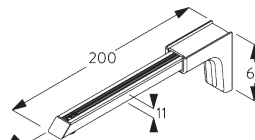
**SG 11215**  
Square Smart Fix 200 mm



**SG 11154**  
Universal Smart Fix 120 mm

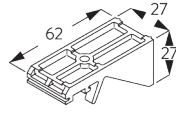
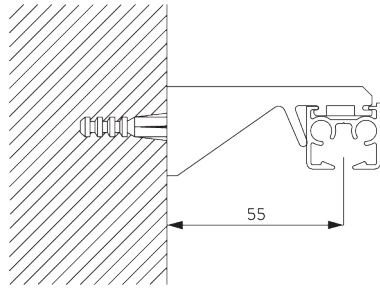


**SG 11155**  
Universal Smart Fix 150 mm



**SG 11156**  
Universal Smart Fix 200 mm

## Bracket SG 3836

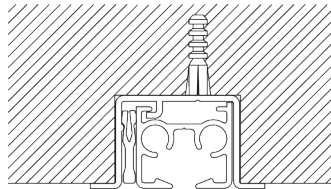


**SG 3836**

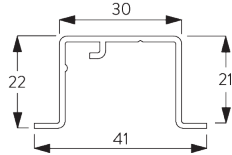
*Bracket*

## D. RECESS FITTING

### Recess profile SG 11230

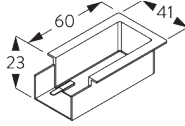


One wedge SG 10157 per fixing point.  
For detailed recess fitting, visit the Silent Gliss website.



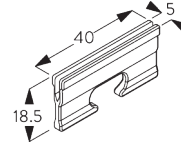
**SG 11230**

*Recess profile*



**SG 11238**

*Recess Mask*

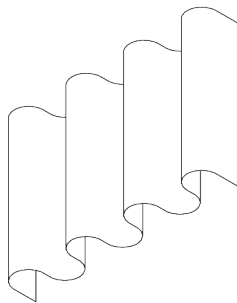


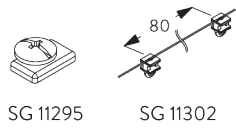
**SG 10157**

*Wedge*

# SYSTEM OPTIONS

## A. WAVE



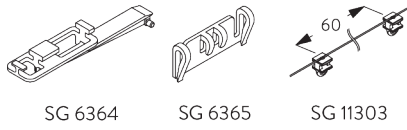


SG 11295

SG 11302

**Standard components:**

- SG 11295 End stop
- SG 11302 Wave 2C glider cord 80 mm



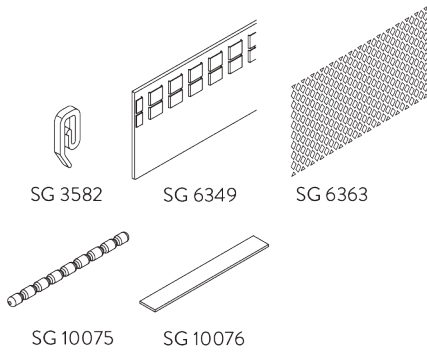
SG 6364

SG 6365

SG 11303

**Optional components:**

- SG 6364 Wave extension
- SG 6365 Wave hanger
- SG 11303 Wave 2C glider Cord 60 mm



SG 3582

SG 6349

SG 6363

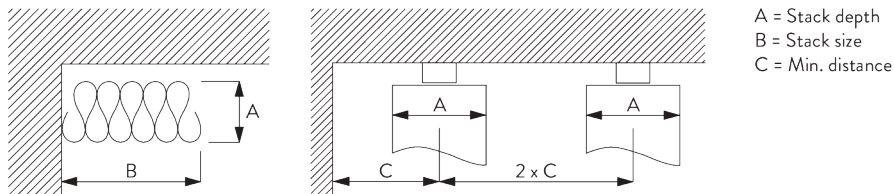
SG 10075

SG 10076

**Curtain components:**

- SG 3582 Hook
- SG 6349 Wave curtain tape
- SG 6363 Wave top hemming tape
- SG 10075 Lead weight 50 gr/m
- SG 10076 Fabric weight

**Wave stack depth - 2C glider cord (standard components)**



A = Stack depth  
 B = Stack size  
 C = Min. distance

2C Glider cord SG 11302	Pockets between hooks	Approx. curtain fullness	Stack depth A	Stack size B*	Min distance C
80	6	~2.1	140	180 per metre of track	90
80	7	~2.3	160	180 per metre of track	100

2C Glider cord SG 11303	Pockets between hooks	Approx. curtain fullness	Stack depth A	Stack size B*	Min distance C
60	4	~2.1	100	230 per metre of track	70
60	5	~2.3	120	230 per metre of track	80

**\*Stack size B standard**


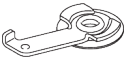

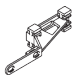
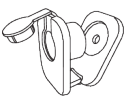
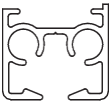


- single stack = plus 130 mm per curtain
- pair stack = plus 30 mm per curtain

**\*Stack size B optional**





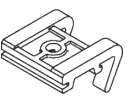
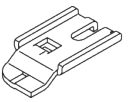
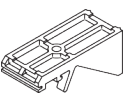

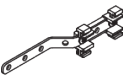





- single stack = plus 200 mm per curtain
- pair stack = plus 200 mm per curtain

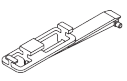
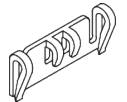

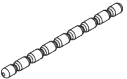

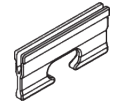
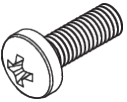
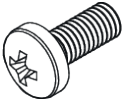
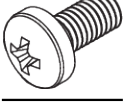
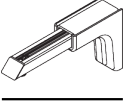
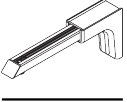
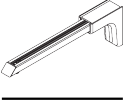
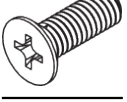
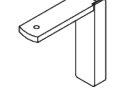
# PARTS

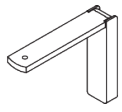
## A. STANDARD PARTS

	<b>SG 3090</b> Cord ø 3.5 mm
	<b>SG 3825</b> Clamp
	<b>SG 6086</b> Spring stop
	<b>SG 6288</b> Overlap arm
	<b>SG 10731</b> Child safety retainer set
	<b>SG 11190</b> Profile
	<b>SG 11285</b> Guide set
	<b>SG 11300</b> 2C glider

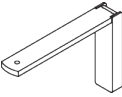
## B. OPTIONAL PARTS

	<b>SG 3340</b> Cord/chain weight
	<b>SG 3582</b> Hook
	<b>SG 3735</b> Cord weight with tensioner
	<b>SG 3802</b> Connection bridge
	<b>SG 3826</b> Bracket
	<b>SG 3832</b> Bracket
	<b>SG 3836</b> Bracket
	<b>SG 6053</b> Spring stop
	<b>SG 6063</b> Overlap arm
	<b>SG 6094</b> Roller
	<b>SG 6098</b> Roller
	<b>SG 6283</b> Roller
	<b>SG 6349</b> Wave curtain tape
	<b>SG 6363</b> Wave top hemming tape

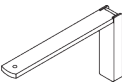
	<b>SG 6364</b> Wave extension
	<b>SG 6365</b> Wave hanger
	<b>SG 10074</b> Countersunk head screw M4x8
	<b>SG 10075</b> Lead weight 50 g/m
	<b>SG 10076</b> Fabric weight
	<b>SG 10157</b> Wedge
	<b>SG 10277</b> Pan head screw M4x12
	<b>SG 10407</b> Pan head screw M4x10
	<b>SG 10492</b> Pan head screw M4x8
	<b>SG 11154</b> Universal Smart Fix 120 mm
	<b>SG 11155</b> Universal Smart Fix 150 mm
	<b>SG 11156</b> Universal Smart Fix 200 mm
	<b>SG 11158</b> Countersunk head screw M4x12
	<b>SG 11200</b> Smart Fix 60 mm



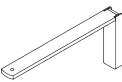
**SG 11201**  
Smart Fix 80 mm



**SG 11202**  
Smart Fix 100 mm



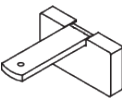
**SG 11203**  
Smart Fix 120 mm



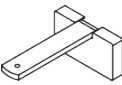
**SG 11204**  
Smart Fix 150 mm



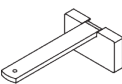
**SG 11205**  
Smart Fix 200 mm



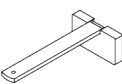
**SG 11210**  
Square Smart Fix 60 mm



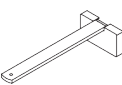
**SG 11211**  
Square Smart Fix 80 mm



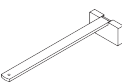
**SG 11212**  
Square Smart Fix 100 mm



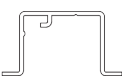
**SG 11213**  
Square Smart Fix 120 mm



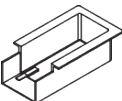
**SG 11214**  
Square Smart Fix 150 mm



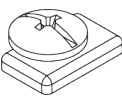
**SG 11215**  
Square Smart Fix 200 mm



**SG 11230**  
Recess profile



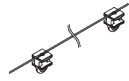
**SG 11238**  
Recess Mask



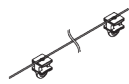
**SG 11295**  
End stop



**SG 11301**  
2C glider on strip



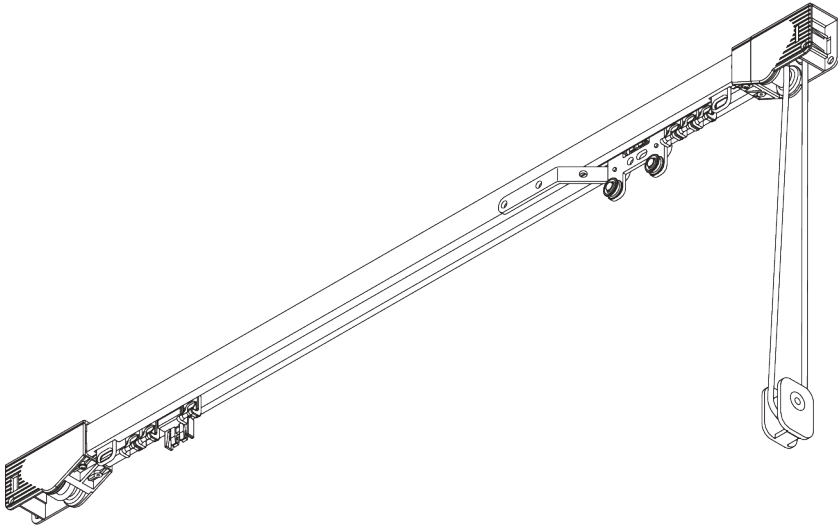
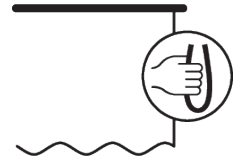
**SG 11302**  
Wave 2C glider cord 80 mm



**SG 11303**  
Wave 2C glider cord 60 mm

# SG 3900

---



## PRODUCT INFORMATION

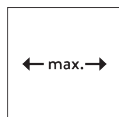
- **Operation:** cord
- **Range:** M - L
- **Fitting:** ceiling, wall, suspended
- **Colours:** white RAL 9016 or anodised aluminum, special colours possible
- **Fabrics:** refer to Silent Gliss fabric collection

### **Features:**

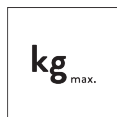
- Bendable

# SYSTEM SPECIFICATIONS

## A. SYSTEM DIMENSIONS



12 m



20 kg

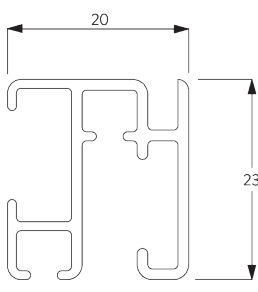
## Max. curtain weight

	2 m	4 m	6 m	8 m	10 m	12 m
	8	12	16	15	13	11
	8	14	20	18	15	13
	10	11	11	10	8	7
	10	14	14	13	13	12
	10	11	11	11	10	10
	10	12	12	11	11	10
	8	8	7	6	5	4
	10	10	9	8	7	6

(kg max.)

## B. PROFILE

### Profile and bending information



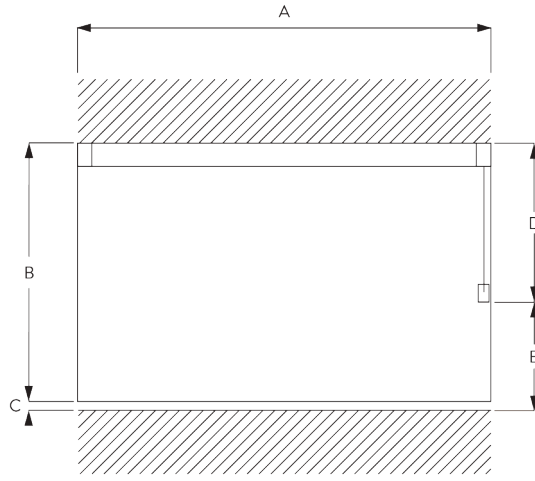
**SG 3982**

Profile

Radius:  
✓ 15 cm, 20 cm, >30 cm



**C. HOW TO  
MEASURE**



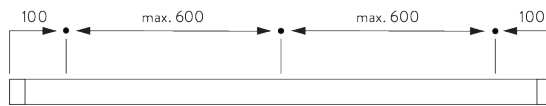
- A: System width
- B: System height
- C: Distance between floor and fabric
- D: Cord height
- E: Safety Retainer SG 10731 min. 150 cm above floor

**FITTING**

**A. FITTING  
INFORMATION**

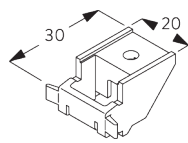
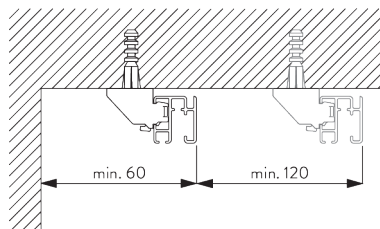
For detailed fitting information, visit the Silent Gliss website.

**Fixing points**



**B. CEILING FITTING**

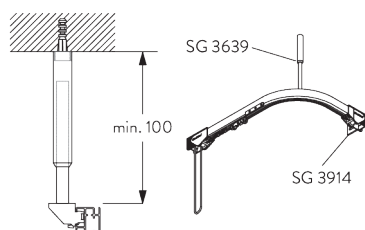
**Bracket SG 3603**

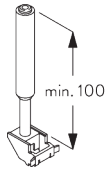


**SG 3603**  
Bracket

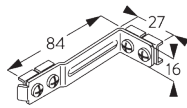
**C. SUSPENDED  
FITTING**

**Hanger SG 3639**





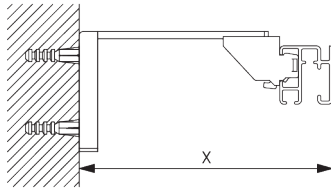
**SG 3639**  
Hanger



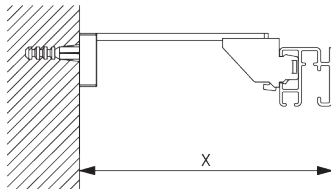
**SG 3914**  
Return bracket

**D. WALL FITTING**

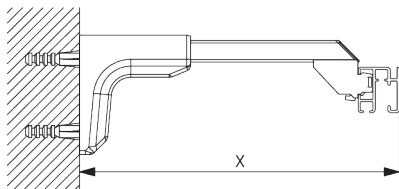
**Smart Fix**



**Smart Fix SG 11200 - SG 11205 and bracket SG 3603:**  
Screw SG 10492 (M4x8) needed.

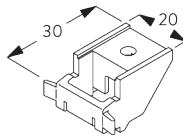


**Square Smart Fix SG 11210 - SG 11215 and bracket SG 3603:**  
Screw SG 10492 (M4x8) needed.



**Universal Smart Fix SG 11154 - SG 11156 and bracket SG 3603:**  
Screw SG 10277 (M4x12) needed.

Smart Fix	X mm
SG 11200 / SG 11210	86
SG 11201 / SG 11211	106
SG 11202 / SG 11212	126
SG 11203 / SG 11213	146
SG 11204 / SG 11214	176
SG 11205 / SG 11215	226
SG 11154	136-164
SG 11155	166-194
SG 11156	216-244



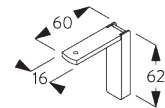
**SG 3603**  
Bracket



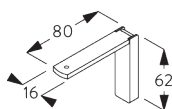
**SG 10277**  
Pan head screw M4x12



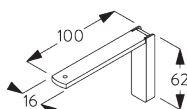
**SG 10492**  
Pan head screw M4x8



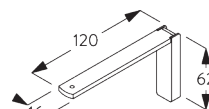
**SG 11200**  
Smart Fix 60 mm



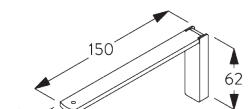
**SG 11201**  
Smart Fix 80 mm



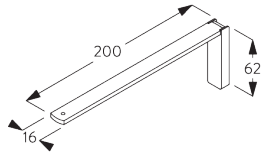
**SG 11202**  
Smart Fix 100 mm



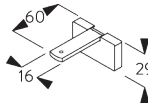
**SG 11203**  
Smart Fix 120 mm



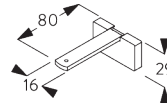
**SG 11204**  
Smart Fix 150 mm



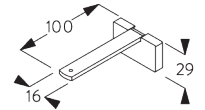
**SG 11205**  
Smart Fix 200 mm



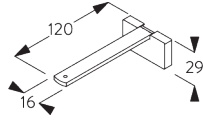
**SG 11210**  
Square Smart Fix 60 mm



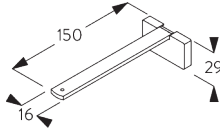
**SG 11211**  
Square Smart Fix 80 mm



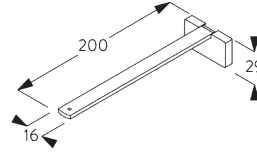
**SG 11212**  
Square Smart Fix 100 mm



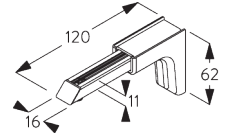
**SG 11213**  
Square Smart Fix 120 mm



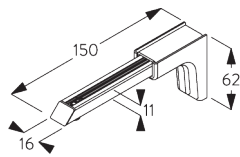
**SG 11214**  
Square Smart Fix 150 mm



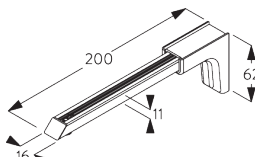
**SG 11215**  
Square Smart Fix 200 mm



**SG 11154**  
Universal Smart Fix 120 mm

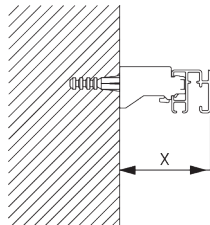


**SG 11155**  
Universal Smart Fix 150 mm

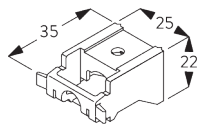


**SG 11156**  
Universal Smart Fix 200 mm

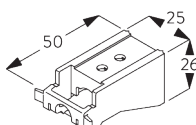
**Universal brackets  
SG 3630, SG 3655,  
SG 3660**



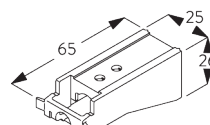
<b>Bracket</b>	<b>X mm</b>
SG 3630	49
SG 3655	59
SG 3660	79



**SG 3630**  
Bracket 35 mm




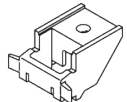

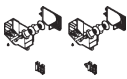
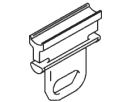
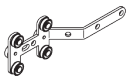


**SG 3655**  
Bracket 50 mm




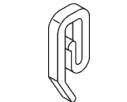
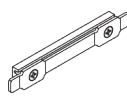
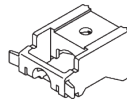

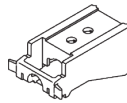
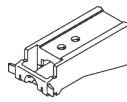
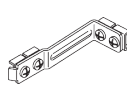
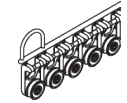
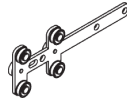
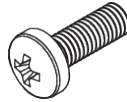
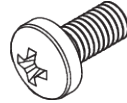
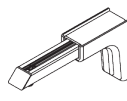
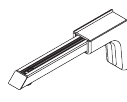
**SG 3660**  
Bracket 65 mm

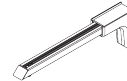
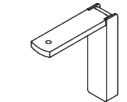
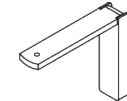
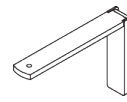
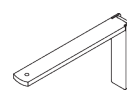
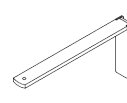

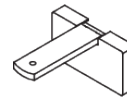
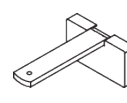
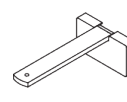
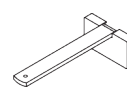
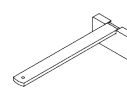
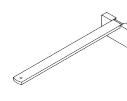
# PARTS

## A. STANDARD PARTS

	<b>SG 3090</b> Cord ø 3.5 mm
	<b>SG 3603</b> Bracket
	<b>SG 3911</b> Roller
	<b>SG 3915</b> Cord guide set
	<b>SG 3932</b> Spring stop
	<b>SG 3936</b> Overlap arm for draw rod
	<b>SG 3982</b> Profile
	<b>SG 10731</b> Child safety retainer set

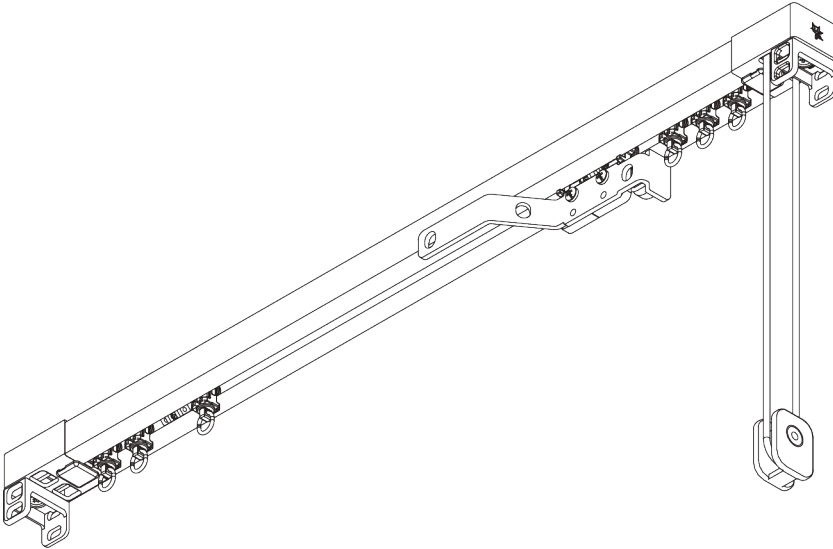
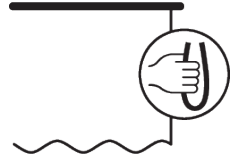
## B. OPTIONAL PARTS

	<b>SG 3340</b> Cord/chain weight
	<b>SG 3582</b> Hook
	<b>SG 3620</b> Connection bridge
	<b>SG 3630</b> Bracket 35 mm
	<b>SG 3639</b> Hanger
	<b>SG 3655</b> Bracket 50 mm
	<b>SG 3660</b> Bracket 65 mm
	<b>SG 3914</b> Return bracket
	<b>SG 3922</b> Roller 3911 on strip
	<b>SG 3935</b> Overlap arm
	<b>SG 10277</b> Pan head screw M4x12
	<b>SG 10492</b> Pan head screw M4x8
	<b>SG 11154</b> Universal Smart Fix 120 mm
	<b>SG 11155</b> Universal Smart Fix 150 mm

	<b>SG 11156</b> Universal Smart Fix 200 mm
	<b>SG 11200</b> Smart Fix 60 mm
	<b>SG 11201</b> Smart Fix 80 mm
	<b>SG 11202</b> Smart Fix 100 mm
	<b>SG 11203</b> Smart Fix 120 mm
	<b>SG 11204</b> Smart Fix 150 mm
	<b>SG 11205</b> Smart Fix 200 mm
	<b>SG 11210</b> Square Smart Fix 60 mm
	<b>SG 11211</b> Square Smart Fix 80 mm
	<b>SG 11212</b> Square Smart Fix 100 mm
	<b>SG 11213</b> Square Smart Fix 120 mm
	<b>SG 11214</b> Square Smart Fix 150 mm
	<b>SG 11215</b> Square Smart Fix 200 mm

# SG 3970

---



## PRODUCT INFORMATION

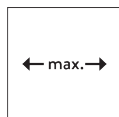
- **Operation:** cord
- **Range:** M - L
- **Fitting:** ceiling, wall, recess
- **Colours:** white RAL 9016 or anodised aluminum, special colours possible (recess profile only in white RAL 9016 or special color)
- **Fabrics:** refer to Silent Gliss fabric collection

### **Features:**

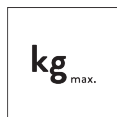
- 2-component (2C) roller technology
- Wave (2C)
- Bendable
- Bendable recess profile

# SYSTEM SPECIFICATIONS

## A. SYSTEM DIMENSIONS



15 m



38 kg

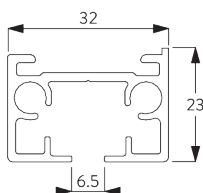
### Max. curtain weight - 2C roller

	2 m	4 m	6 m	8 m	10 m	12 m	15 m
	25	38	35	30	25	20	15
	25	38	35	30	25	20	15
	25	30	25	20	18	15	10
	25	30	25	20	18	15	10
	13	16	13	11	10	8	6
	13	16	13	11	10	8	6
	11	13	11	10	9	7	-
	11	13	11	10	9	7	-

(kg max.)

## B. PROFILE

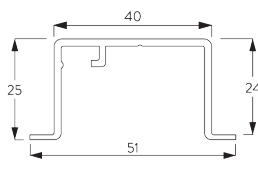
### Profile and bending information



**SG 3971**

Profile

Radius: >25 cm

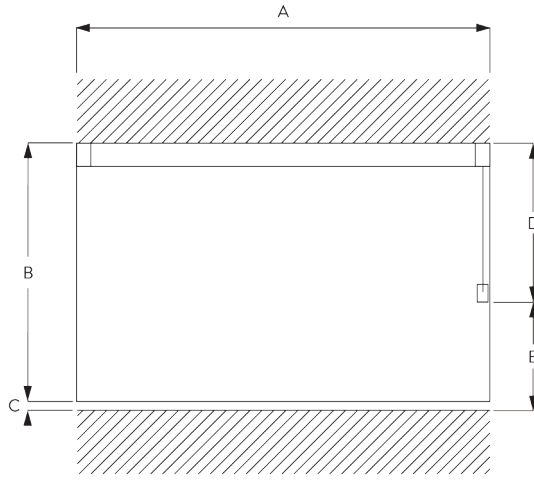


**SG 10862**

Recess profile

Radius: 50 - 75 cm  
>75 cm on request

**C. HOW TO  
MEASURE**



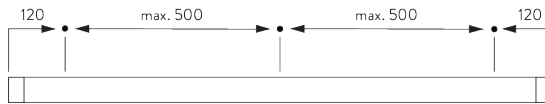
- A: System width
- B: System height
- C: Distance between floor and fabric
- D: Cord height
- E: Safety Retainer SG 10731 min. 150 cm above floor

**FITTING**

**A. FITTING  
INFORMATION**

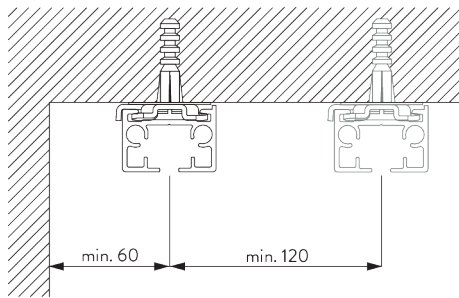
For detailed fitting information, visit the Silent Gliss website.

**Fixing points**



**B. CEILING FITTING**

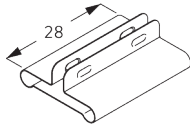
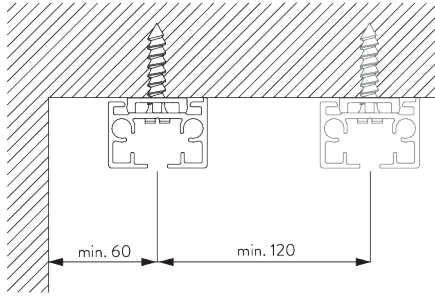
**Clamp SG 3004**



**SG 3004**

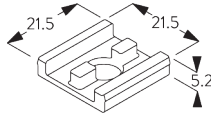
Clamp

## Direct fitting



**SG 7002**

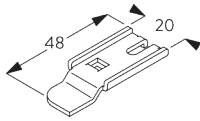
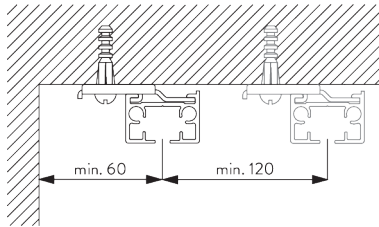
Profile protector



**SG 10865**

Support plate

## Bracket SG 3041

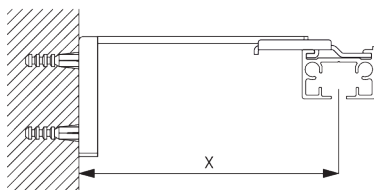


**SG 3041**

Bracket

## C. WALL FITTING

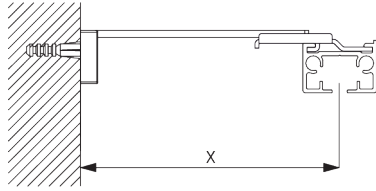
### Smart Fix



**Smart Fix SG 11200 - SG 11205 and bracket SG 3041:**  
Screw SG 10492 (M4x8) needed.

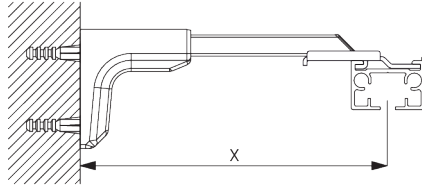
Smart Fix	X mm (SG 3041)	X mm (SG 3004)
SG 11200 / SG 11210	83	
SG 11201 / SG 11211	103	72
SG 11202 / SG 11212	123	92
SG 11203 / SG 11213	143	112
SG 11204 / SG 11214	173	142
SG 11205 / SG 11215	223	192
SG 11154	128-156	102-130
SG 11155	158-186	132-160
SG 11156	208-236	182-210





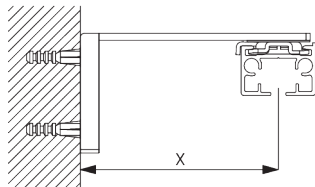
**Square Smart Fix SG 11210 - SG 11215 and bracket SG 3041:**

Screw SG 10492 (M4x8) needed.



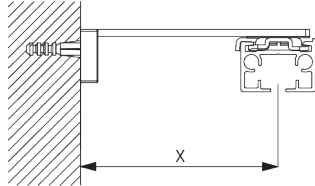
**Universal Smart Fix SG 11154 - SG 11156 and bracket SG 3041:**

Screw SG 10407 (M4x10) needed.



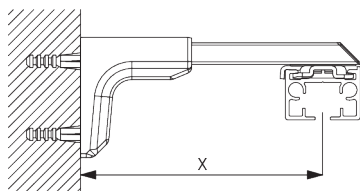
**Smart Fix SG 11201 - SG 11205 and clamp SG 3004:**

Screw SG 10074 (M4x8) needed.



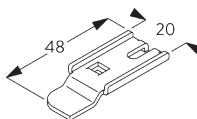
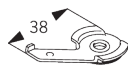
**Square Smart Fix SG 11211 - SG 11215 and clamp SG 3004:**

Screw SG 10074 (M4x8) needed.



**Universal Smart Fix SG 11154 - SG 11156 and clamp SG 3004:**

Screw SG 11158 (M4x12) needed.



**SG 3004**  
Clamp

**SG 3041**  
Bracket

**SG 10074**  
Countersunk head screw  
M4x8

**SG 10407**  
Pan head screw M4x10



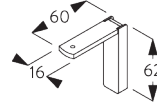
**SG 10492**

Pan head screw M4x8



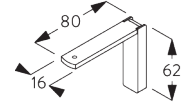
**SG 11158**

Countersunk head screw M4x12



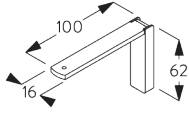
**SG 11200**

Smart Fix 60 mm



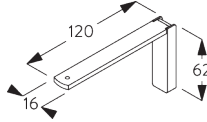
**SG 11201**

Smart Fix 80 mm



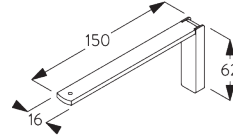
**SG 11202**

Smart Fix 100 mm



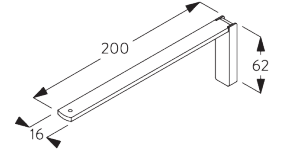
**SG 11203**

Smart Fix 120 mm



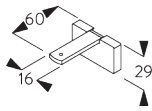
**SG 11204**

Smart Fix 150 mm



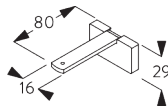
**SG 11205**

Smart Fix 200 mm



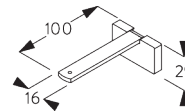
**SG 11210**

Square Smart Fix 60 mm



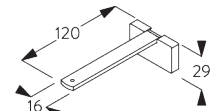
**SG 11211**

Square Smart Fix 80 mm



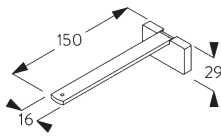
**SG 11212**

Square Smart Fix 100 mm



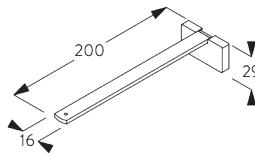
**SG 11213**

Square Smart Fix 120 mm



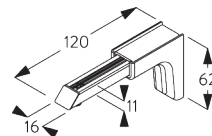
**SG 11214**

Square Smart Fix 150 mm



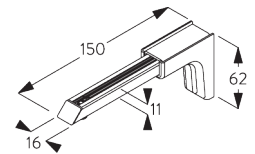
**SG 11215**

Square Smart Fix 200 mm



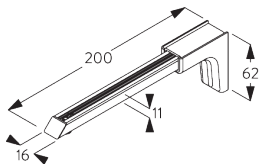
**SG 11154**

Universal Smart Fix 120 mm



**SG 11155**

Universal Smart Fix 150 mm

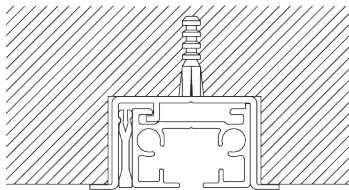


**SG 11156**

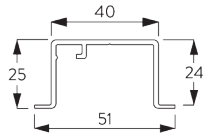
Universal Smart Fix 200 mm

**D. RECESS FITTING**

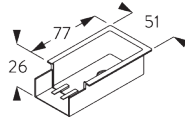
**Recess profile  
SG 10862**



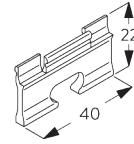
One wedge SG 5118 per fixing point.  
For detailed recess fitting, visit the Silent Gliss website.



**SG 10862**  
Recess profile



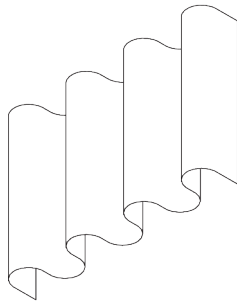
**SG 10864**  
Recess mask



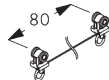
**SG 5118**  
Wedge

# SYSTEM OPTIONS

## A. WAVE



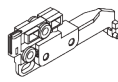
SG 11295



SG 10852



SG 6365



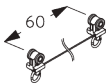
SG 10845



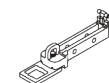
SG 10854



SG 10867



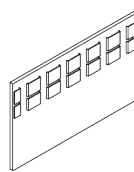
SG 10869



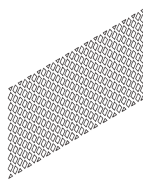
SG 10887



SG 3582



SG 6349



SG 6363



SG 10075



SG 10076

### Standard components:

- SG 11295 End stop
- SG 10852 Wave 2C roller cord 80 mm

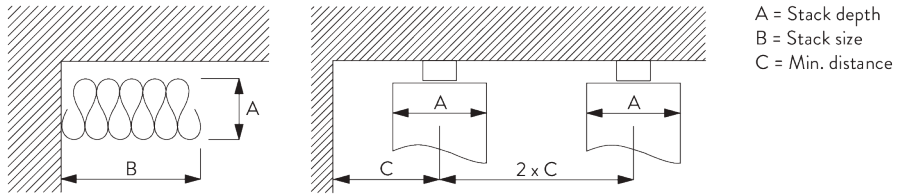
### Optional components:

- SG 6365 Wave hanger
- SG 10845 Wave master carrier single stack 80 mm
- SG 10854 Wave overlap support arm
- SG 10867 Panhead screw M4x16
- SG 10869 Wave 2C roller cord 60 mm (no single stack)
- SG 10887 Wave extension

### Curtain components:

- SG 3582 Hook
- SG 6349 Wave curtain tape
- SG 6363 Wave top hemming tape
- SG 10075 Lead weight 50 gr/m
- SG 10076 Fabric weight

Wave stack depth - 2C roller cord (standard components)



2C Roller cord SG 10852	Pockets between hooks	Approx. curtain fullness	Stack depth A	Stack size B*	Min distance C
80	6	~2.1	140	210 per metre of track	90
80	7	~2.3	160	210 per metre of track	100

2C Roller cord SG 10869	Pockets between hooks	Approx. curtain fullness	Stack depth A	Stack size B*	Min distance C
60	4	~2.1	100	260 per metre of track	70
60	5	~2.3	120	260 per metre of track	80

**\*Stack size B standard**



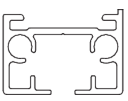
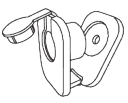
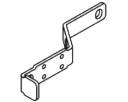
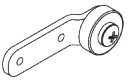

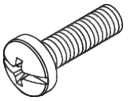
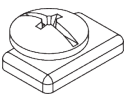

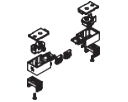
- single stack = plus 140 mm per curtain
- pair stack = plus 40 mm per curtain

**\*Stack size B optional**

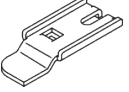

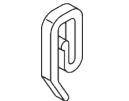

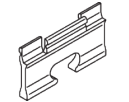
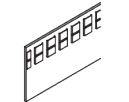

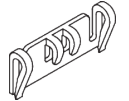
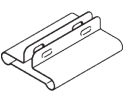
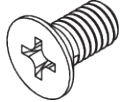

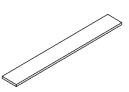


- single stack = n/a
- pair stack = plus 150 mm per curtain

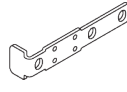

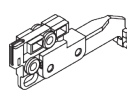
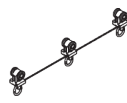
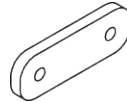
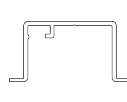
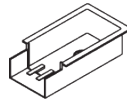
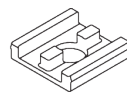
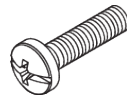
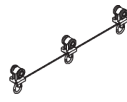
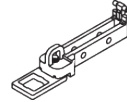
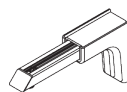
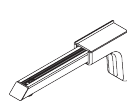
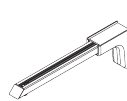
# PARTS

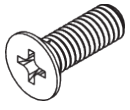
## A. STANDARD PARTS

	<b>SG 3004</b> Clamp
	<b>SG 3090</b> Cord ø 3.5 mm
	<b>SG 3971</b> Profile
	<b>SG 10731</b> Child safety retainer set
	<b>SG 10821</b> Overlap arm
	<b>SG 10826</b> Overlap arm support
	<b>SG 10840</b> 2C roller
	<b>SG 10923</b> Pan head screw Freedriv M4x12
	<b>SG 11295</b> End stop
	<b>SG 11314</b> Master carrier
	<b>SG 11315</b> Guide set

## B. OPTIONAL PARTS

	<b>SG 3041</b> Bracket
	<b>SG 3340</b> Cord/chain weight
	<b>SG 3582</b> Hook
	<b>SG 3735</b> Cord weight with tensioner
	<b>SG 5118</b> Wedge
	<b>SG 6349</b> Wave curtain tape
	<b>SG 6363</b> Wave top hemming tape
	<b>SG 6365</b> Wave hanger
	<b>SG 7002</b> Profile protector
	<b>SG 10074</b> Countersunk head screw M4x8
	<b>SG 10075</b> Lead weight 50 g/m
	<b>SG 10076</b> Fabric weight
	<b>SG 10407</b> Pan head screw M4x10
	<b>SG 10492</b> Pan head screw M4x8

	<b>SG 10820</b> Overlap arm
	<b>SG 10831</b> Connection bridge
	<b>SG 10845</b> Wave master carrier 80 mm
	<b>SG 10852</b> Wave 2C roller cord 80 mm
	<b>SG 10854</b> Wave overlap plate
	<b>SG 10862</b> Recess profile
	<b>SG 10864</b> Recess mask
	<b>SG 10865</b> Support plate
	<b>SG 10867</b> Pan head screw Freedriv M4x16
	<b>SG 10869</b> Wave 2C roller cord 60 mm
	<b>SG 10887</b> Wave extension
	<b>SG 11154</b> Universal Smart Fix 120 mm
	<b>SG 11155</b> Universal Smart Fix 150 mm
	<b>SG 11156</b> Universal Smart Fix 200 mm

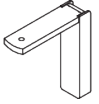


---

**SG 11158**

Countersunk head screw M4x12

---

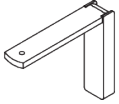


---

**SG 11200**

Smart Fix 60 mm

---

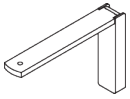


---

**SG 11201**

Smart Fix 80 mm

---

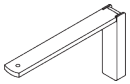


---

**SG 11202**

Smart Fix 100 mm

---

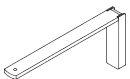


---

**SG 11203**

Smart Fix 120 mm

---

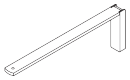


---

**SG 11204**

Smart Fix 150 mm

---

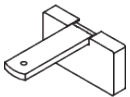


---

**SG 11205**

Smart Fix 200 mm

---

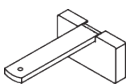


---

**SG 11210**

Square Smart Fix 60 mm

---

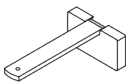


---

**SG 11211**

Square Smart Fix 80 mm

---

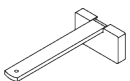


---

**SG 11212**

Square Smart Fix 100 mm

---

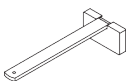


---

**SG 11213**

Square Smart Fix 120 mm

---

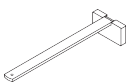


---

**SG 11214**

Square Smart Fix 150 mm

---



---

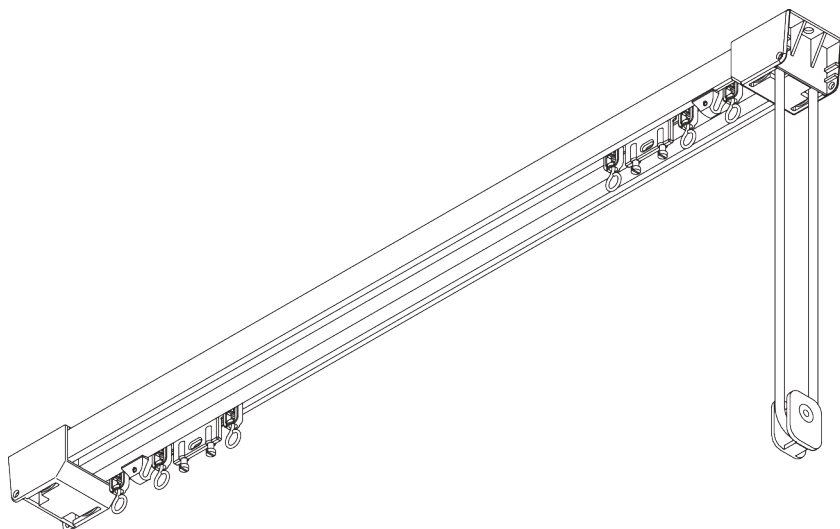
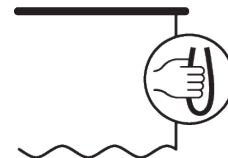
**SG 11215**

Square Smart Fix 200 mm

---

# SG 6370

---



## PRODUCT INFORMATION

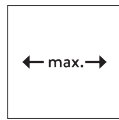
- **Operation:** cord
- **Range:** L
- **Fitting:** ceiling, wall
- **Colours:** white RAL 9016 or anodised aluminum, special colours possible
- **Fabrics:** refer to Silent Gliss fabric collection

### **Features:**

- Bendable

# SYSTEM SPECIFICATIONS

## A. SYSTEM DIMENSIONS



15 m



66 kg

### Max. curtain weight - roller SG 6098 / SG 6094

	2 m	4 m	6 m	8 m	10 m	12 m	15 m
	62	60	58	56	54	50	46
	66	64	62	60	58	55	50
	46	43	40	37	34	30	25
	50	47	44	41	38	35	30
	36	33	30	27	24	22	18
	44	40	36	33	30	28	22
	24	19	14	5	4	-	-
	27	23	19	10	9	-	-

(kg max.)

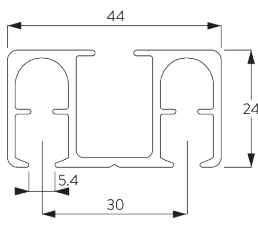
### Max. curtain weight - roller SG 6283

	2 m	4 m	6 m	8 m	10 m	12 m	15 m
	45	42	40	38	35	32	28
	46	44	42	40	38	36	34
	32	30	28	26	24	22	18
	34	32	30	28	26	23	20
	24	22	20	18	16	13	10
	29	27	25	23	21	18	15

(kg max.)

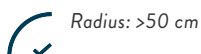
## B. PROFILE

### Profile and bending information



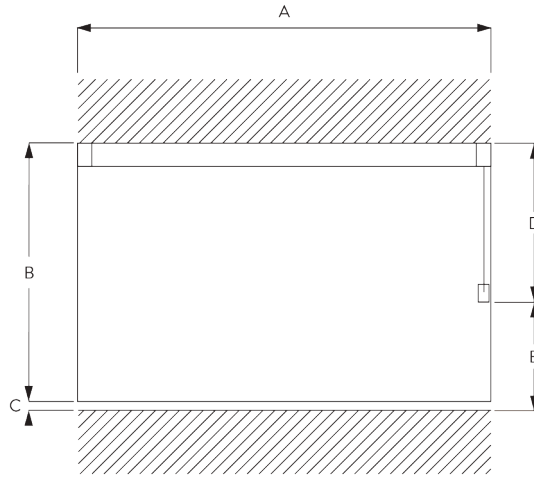
SG 6371

Profile





**C. HOW TO  
MEASURE**



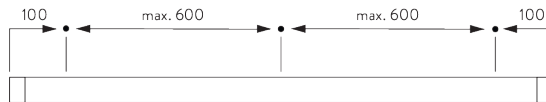
A: System width  
 B: System height  
 C: Distance between floor and fabric  
 D: Cord height  
 E: Safety Retainer SG 10731 min. 150 cm above floor

**FITTING**

**A. FITTING  
INFORMATION**

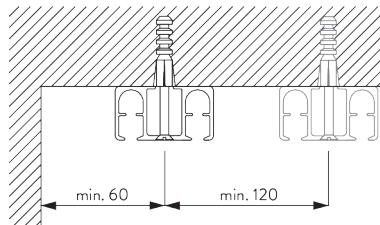
For detailed fitting information, visit the Silent Gliss website.

**Fixing points**



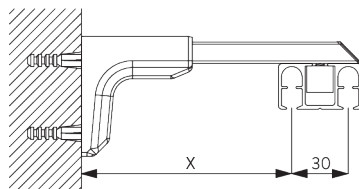
**B. CEILING FITTING**

**Direct fitting**



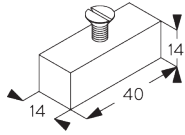
**C. WALL FITTING**

**Smart Fix**



**Universal Smart Fix SG 11154 - SG 11156 and nut SG 6369:**  
 Screw SG 11157 (M5x20) needed.

Smart Fix	X mm
SG 11154	87-115
SG 11155	117-145
SG 11156	167-195



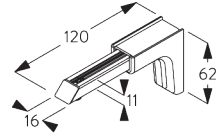
**SG 6369**

Nut



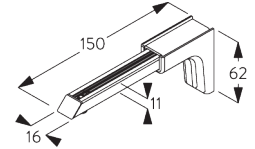
**SG 11157**

Pan head screw with flange  
M5x20



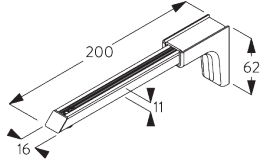
**SG 11154**

Universal Smart Fix 120 mm



**SG 11155**

Universal Smart Fix 150 mm


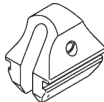

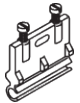
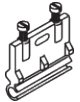

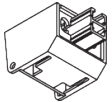
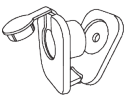


**SG 11156**



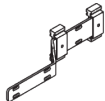


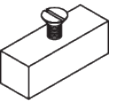
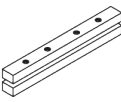
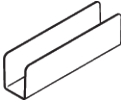


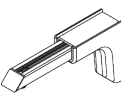
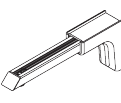
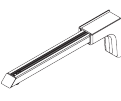
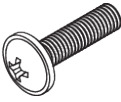
Universal Smart Fix 200 mm

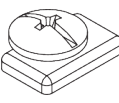
# PARTS

## A. STANDARD PARTS

	<b>SG 6070</b> Cord ø 6 mm
	<b>SG 6086</b> Spring stop
	<b>SG 6098</b> Roller
	<b>SG 6214</b> Pilot runner
	<b>SG 6227</b> Pilot runner
	<b>SG 6371</b> Profile
	<b>SG 6377</b> Cord guide set
	<b>SG 10731</b> Child safety retainer set

## B. OPTIONAL PARTS

	<b>SG 3582</b> Hook
	<b>SG 6053</b> Spring stop
	<b>SG 6079</b> Overlap arm
	<b>SG 6094</b> Roller
	<b>SG 6283</b> Roller
	<b>SG 6369</b> Nut
	<b>SG 6372</b> Connection bridge
	<b>SG 6376</b> Connection bridge
	<b>SG 6575</b> Cord tensioner
	<b>SG 6578</b> Floor holder
	<b>SG 11154</b> Universal Smart Fix 120 mm
	<b>SG 11155</b> Universal Smart Fix 150 mm
	<b>SG 11156</b> Universal Smart Fix 200 mm
	<b>SG 11157</b> Pan head screw with flange M5x20

	<b>SG 11295</b> End stop
---	-----------------------------

## ***The Architects of Silence***

***Silent Gliss is the leading global supplier of premium interior window treatments. Since 1952 we have been tirelessly committed to the development of the worlds` smoothest, quietest systems using state of the art technology.***

*Driven by customer needs, Silent Gliss offers functional and durable products. Expert technical advice coupled with installation and support services complete the offer. Silent Gliss stands for innovative, sustainable, tailor made solutions, exceptional design and first-class quality.*

### **Silent Gliss Iberia, S.L.**

C/Muntaner, 231 2º 1aA

08021 Barcelona

**T**+34 931 187 843

info@silentgliss.es

Av. Canteras, 64, Módulo 2

Nave A

28343 Valdemoro (Madrid)

**T**+34 912 963 831

info@silentgliss.es

**silentgliss.es**